

CROWN

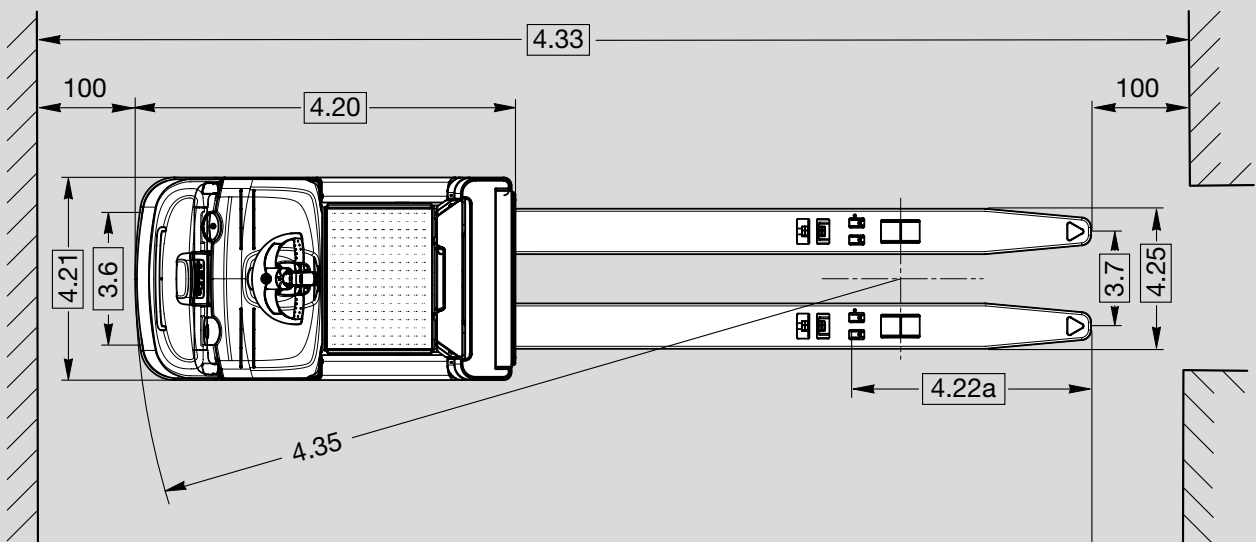
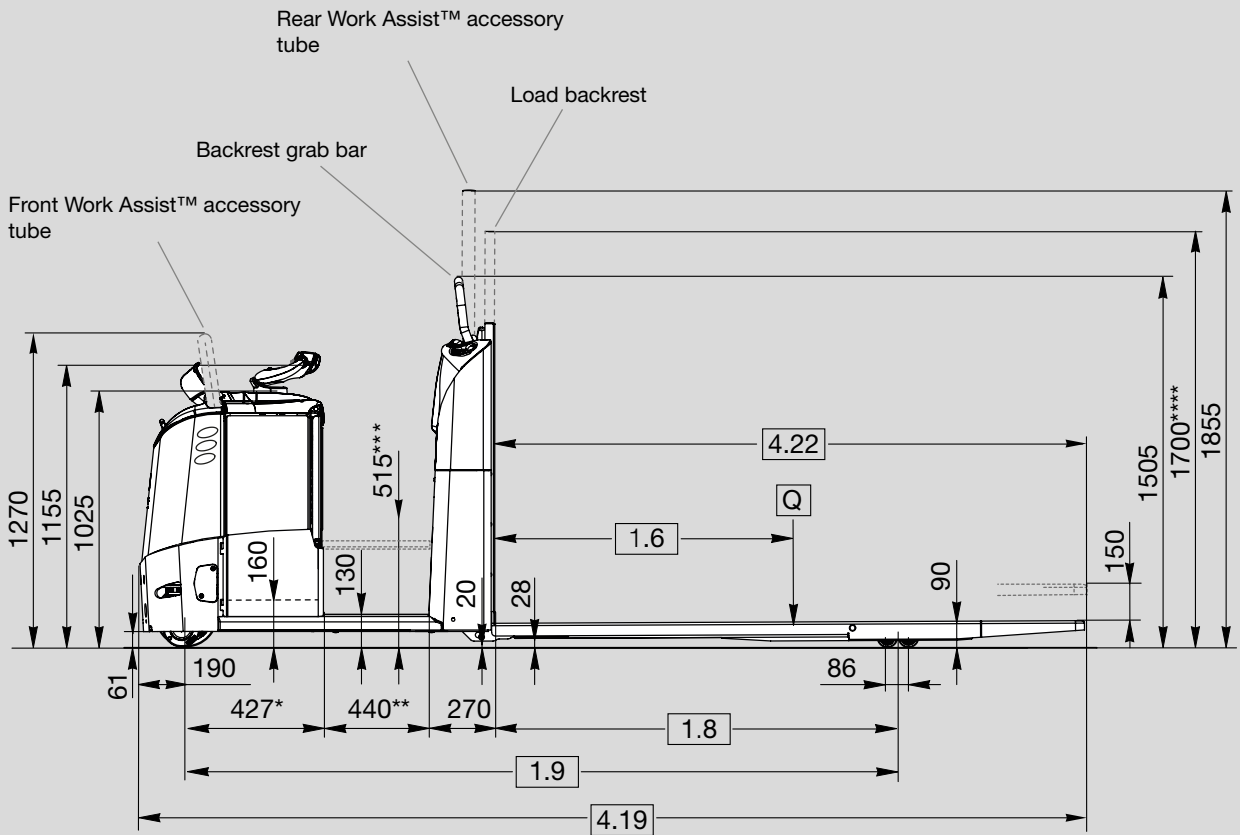
GPC 3000 SERIES

Specifications

Low Level Order Picker



GPC 3020, 3040, 3050 und 3060



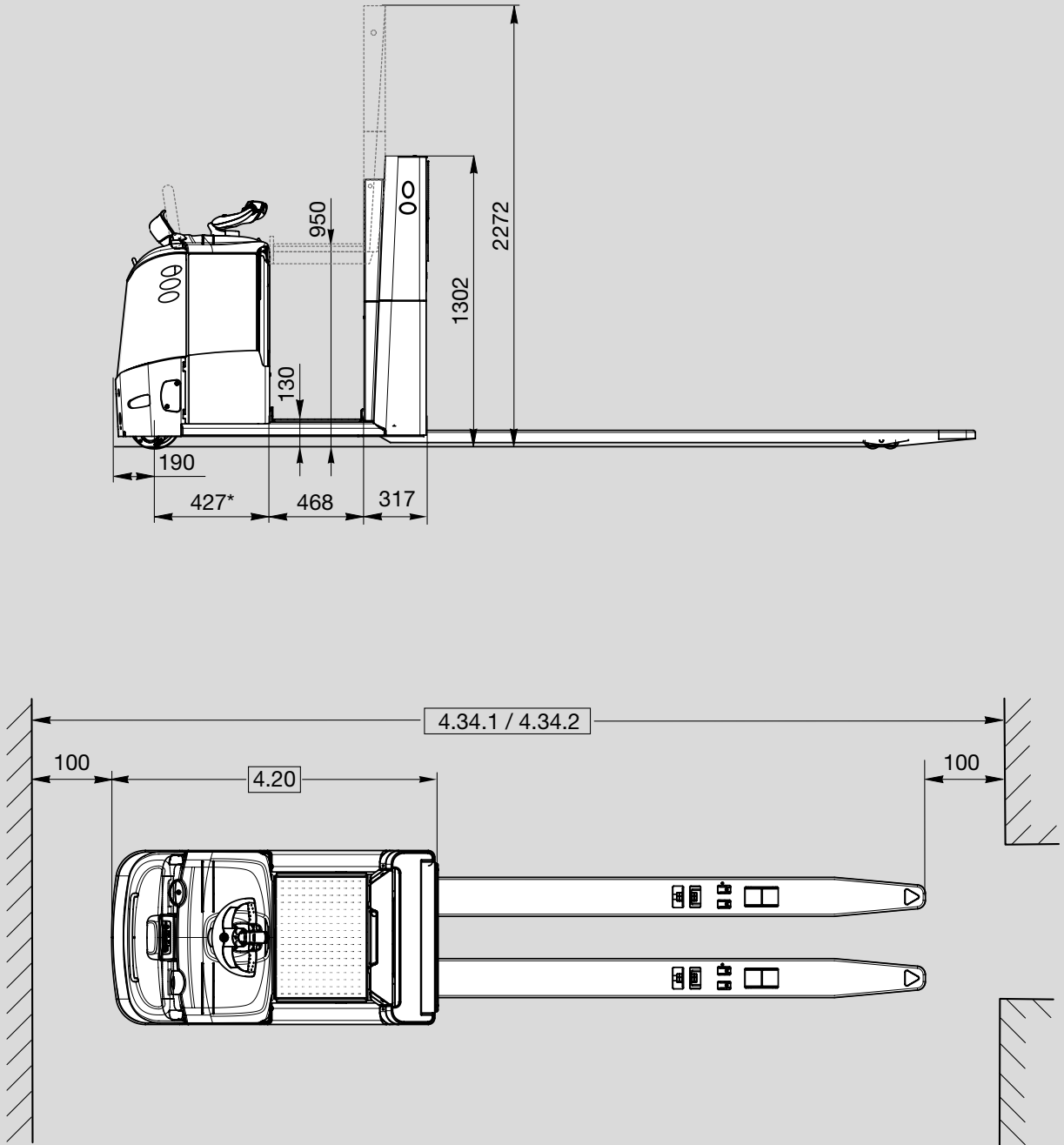
* Large battery compartment = 547 mm (optional on GPC 3020, 3040, 3050, standard on GPC 3060)

** Extended operator platform = 515 mm (GPC 3040/3060)

*** On extended operator platform the operator step height = 442 mm (GPC 3040/3060)

**** With optional load backrest (1800 mm) + 90 mm

GPC 3040 and 3060 with optional platform lift



* Large battery compartment = 547 mm (optional on GPC 3040, standard on GPC 3060)

Distinguishing Mark	1.1	Manufacturer			Crown Equipment Corporation			
	1.2	Model			GPC 3020-2.0	GPC 3040-2.0	GPC 3050-2.5	GPC 3060-2.7
	1.3	Power Source			electric			
	1.4	Operator Type			order picker			
	1.5	Rated Capacity		Q	t	2.0	2.5	2.7
	1.6	Load Center		c	mm	see table 1	see table 2	see table 3
	1.8	Load Distance	lowered	x	mm	see table 1	see table 2	see table 3
	1.9	Wheelbase	lowered	y	mm	see table 1	see table 2	see table 3
	Weight	2.1	Service Weight	less battery		kg	see table 1	see table 2
2.2		Axle Load	with load, front / rear		kg	see table 1	see table 2	see table 3
2.3			without load, front / rear		kg	see table 1	see table 2	see table 3
Tyres/Wheels/Chassis	3.1	Tyres			Vulkollan			
	3.2	Tyre Size	front		mm	Ø 250 x 75		
	3.3		rear		mm	Ø 82 x 82		
	3.4	Additional Wheels	castor wheel		mm	Ø 150 x 60		
	3.5	Wheels	number front/rear (x=driven wheels)			1x + 1 / 4		
	3.6	Tread	front	b10	mm	492		
	3.7		rear	b11	mm	340 / 360 / 380 / 500		
Dimensions	4.4	Lift Height		h3	mm	150		
	4.8	Seat Height relating to SIP/Stand Height		h7	mm	130		
	4.9	Height Control Handle in Driving Position		h14	mm	1160		
	4.15	Fork Height	lowered	h13	mm	90		
	4.19	Overall Length		l1	mm	see table 1	see table 2	see table 3
	4.20	Head Length		l2	mm	see table 1	see table 2	see table 3
	4.21	Overall Width		b1	mm	810		
	4.22	Fork Dimension		s x e x l	mm	78 x 180 x 2400		
	4.22a	Fork Tip Length			mm	see table 1	see table 2	see table 3
	4.25	Fork Spread		b5	mm	520 / 540 / 560 / 680		
	4.31	Ground Clearance	below mast	m1	mm	20		
	4.32		centre wheelbase	m2	mm	28		
	4.34.1	Aisle Width *	2 Euro Pallets length, raised	Ast	mm	3925		4045
	4.34.2							
	4.35	Turning Radius	lowered	Wa	mm	see table 1	see table 2	see table 3
Performance Data	5.1	Travel Speed***	with / without load		km/h	9.5 / 12.5	9.0 / 12.5	8.5 / 12.5
	5.2	Lift Speed	with / without load		m/s	0.05 / 0.06	0.06 / 0.08	
	5.3	Lowering Speed	with / without load		m/s	0.07 / 0.07		
	5.7	Gradeability	w. / w.o. load 30 min. rating		%	5 / 14	5 / 16	
	5.8	Max. Gradeability	w. / w.o. load 5 min. rating		%	8 / 15	9 / 15	
	5.10	Service Brake				electric		
Electric Motor	6.1	Traction Motor	rating at S2 60 Min.		kW	4.0	3.9	
	6.2	Pump Motor	rating at S3 9 %		kW	1.3	1.3**	2.2
	6.3	Max. Battery Box Size	DIN 43535	l x b x h	mm	210x790x784 (330x790x784)		330x790x784
	6.4	Battery Voltage	nominal capacity K5		V/Ah	24 / 420 - 465 (560 - 620)		24 / 560 - 620
	6.5	Battery Weight			kg	349 - 402 (465 - 534)		465 - 534
8.1	Drive Unit				transistor			

* Ast calculation based on standard truck configuration with 2400 mm fork length and 944 mm fork tip length

** With optional platform lift 2.2 kW

*** Power Unit first

Capacity

GPC 3020 - 2000 kg
 GPC 3040 - 2000 kg
 GPC 3050 - 2500 kg
 GPC 3060 - 2700 kg

Electric System/Batteries

24-volt electrical system with nominal battery capacities from 420 Ah up to 620 Ah.

The battery can be removed vertically or horizontally with optional battery rollers for left/right or both sides removal.

Standard Equipment

1. Crown maintenance-free 3-phase (AC) traction motor. Maintenance-free 3-phase (AC) steering motor.
2. e-GEN® Braking System offers regenerative and frictionless electric braking (mechanical braking applies only as parking brake)
3. Electronic steering with the centre-mounted X10 Handle for precise and effortless control
4. The self-centering X10 Handle places all truck functions at the operator's fingertips
5. Crown Access 1 2 3® Comprehensive System Control
6. Intelligent Steering System slows the travel speed in curves
7. Load-dependent speed
8. Crown's Information Display
 - 1 line LCD display with 8 characters
 - Battery discharge indicator
 - Keyless start up with PIN code
 - Start up and run time diagnostics
 - 3 selectable traction performance profiles
 - Hour meters including traction motor, hydraulic motor and run time
 - Access 1 2 3® on-board diagnostic with real time troubleshooting capabilities
9. CAN-Bus technology
10. Ramp hold
11. Low step height of 130 mm with a wide walk-through area
12. Suspended floorboard with a non-slip anti-fatigue floor mat with integrated presence sensors
13. Electric power disconnect plug
14. Multiple storage compartments
 - Large front storage tray
 - Lower cover in backrest with shrink wrap pocket (3040/3060)
 - 2 large storage bins in the backrest (3040/3060)
 - 3 storage pockets in battery area
15. Two cords on each side of desktop surface to fix paper documents
16. Vulkollan drive tyre, castor wheel and tandem load wheels
17. Comfort backrest (3040/3060) includes
 - Soft moulded lean pad
 - 2 large storage bins

- backrest grab handles
18. Standard backrest (3020/3050)
 19. Cushioned kneepad (3040/3060)
 20. Battery connector DIN 160 A
 21. Heavy-duty fork assembly
 22. Heavy-duty power unit
 - 10 mm thick steel skirt
 - Easily removable reinforced steel covers
 - Top battery access
 23. Battery compartment for 420 - 465 Ah batteries (3020/3040/3050)
 24. Battery compartment for 560 - 620 Ah batteries (3060)

Optional Equipment

1. Fork length options
2. Battery compartment for 560 - 620 Ah batteries (3020/3040/3050)
3. Extended platform with 515 mm walk-through (not available with platform lift)
4. Folding step (not available with platform lift)
5. Backrest grab bar (standard, if folding step is ordered, not available with load backrest and platform lift)
6. Platform lift with an operator stand height of 950 mm (3040/3060)
7. Picking guard (requires front Work Assist™ accessory tube, only with large battery compartment and platform lift on 3040/3060)
8. Pick Position Control™ in the backrest
9. Adjustable fold-down lean seat and lower cover in backrest with shrink wrap pocket (not available with platform lift, requires comfort backrest on 3020/3050)
10. Battery liftoff with both side covers
11. Battery rollout with no covers, left or right hand side cover
12. SBE 160 red battery connector
13. Power supply 12/24 V for electronic tools
14. Key switch
15. Cold storage conditioning
16. Load backrest 1610 mm and 1800 mm
17. Audible travel alarm
18. Flashing beacon (3040/3060, requires rear Work Assist™ accessory tube, requires comfort backrest on 3020/3050)
19. Warning light
20. Comfort backrest (3020/3050) includes
 - soft moulded lean pad
 - 2 large storage bins
 - backrest grab handles
21. 2 large storage bins in the backrest (3020/3050)
22. Lower cover in backrest with shrink wrap pocket (not available with platform lift, requires comfort backrest on 3020/3050)
23. Special paint

24. Rubber bumper
25. Rear storage compartment (3040/3060, not available with load backrest or platform lift, requires comfort backrest on 3020/3050)
26. Pallet entry rollers (standard on 1600/2400 mm fork length with 693 mm fork tip length)
27. Front Work Assist™ accessory tube with or without cable management
28. Rear Work Assist™ accessory tube (3040/3060, not available with load backrest or platform lift)
29. Work Assist™ Accessories
 - Load tray
 - Foil roll holders
 - Storage pockets
 - Beverage holder
 - Trash bag holder
 - Scan gun holder
 - Small, medium and large clip boards
 - Mounting brackets for WMS terminals
30. Keypad
31. InfoLink® Ready
32. Cushioned kneepad (3020/3050)
33. Supertrac drive tyre Ø 250x75 mm
34. Single load wheel Ø 82 x 110 mm
35. Lithium-Ion Battery ready
36. Fork weld marks for pallet positioning
37. Central storage tray
38. Universal magnetic storage tray
39. Soft writing mat
40. QuickPick® Remote ready
41. USB Charging Port

Electrical

24 volt electrical system managed by Crown's Access 1 2 3® Comprehensive System Control. Virtually maintenance-free AC traction motor provides strong acceleration and control at any speed. Sensors monitor functional parameters including load, steering, speed and operator position and adjusts operational settings automatically to suit conditions.

Power Unit

The rugged power unit is designed for tough real-world applications. A 10 mm thick skirt protects drive unit and castor components while reinforced steel covers and doors cover all electronics. The uncluttered layout of components provides quick and easy access for servicing.

Operator Area and Controls

The comfortable suspension features a fully suspended floorboard with a soft mat that reduces operator fatigue. Wide walkthrough compartment with rounded surfaces provides a convenient shortcut even while carrying boxes. Contoured lean pad helps the

operator stay centred in the truck while providing a soft contact surface to lean against. Multiple storage pockets provide locations for tools and personal effects. All truck functions are controlled by the award-winning X10 Handle that allows simultaneous operation of all functions with one hand. Electronic steering is standard on all models, providing precise, predictable control. A large information display provides battery discharge level, operational status and service messages to the operator.

Access 1 2 3® Comprehensive System Control

Crown's Access 1 2 3® technology provides optimum performance and control by offering a communications interface for the operator and service engineer, intelligent coordination of lift truck systems and simplified service with advanced diagnostics. The display includes a full featured on-board service tool, so service technicians can actively view inputs and outputs during truck operation. No laptop or service terminal is required. Performance tuning can be accessed at the display to customise truck performance for specific applications or operator requirements.

e-GEN® Braking System

The power of the high-torque AC traction motor is used to stop the truck and keep it static until a travel input is requested, even when operating on a gradient. This system eliminates adjustments and wear points for a lifetime of maintenance-free use. An automatic parking brake activates if the truck is stopped and the operator leaves the platform or power is disconnected.

Work Assist™ Accessories

A comprehensive range of Work Assist™ accessories is available to support every kind of picking and administrative task. These rugged tools can be easily combined and positioned in the location best suited to the application and the user. Customer accessories can also be added using the universal clamp and adapter plate. Two front Work Assist™ accessory tubes are available for mounting the accessories, one with and one without cable management.

Safety Regulations

Conforms to European safety standards. Dimensions and performance data given may vary due to manufacturing tolerances. Performance is based on an average size vehicle and is affected by weight, condition of truck, how it is equipped and the conditions of the operating area. Crown products and specifications are subject to change without notice.