

CROWN

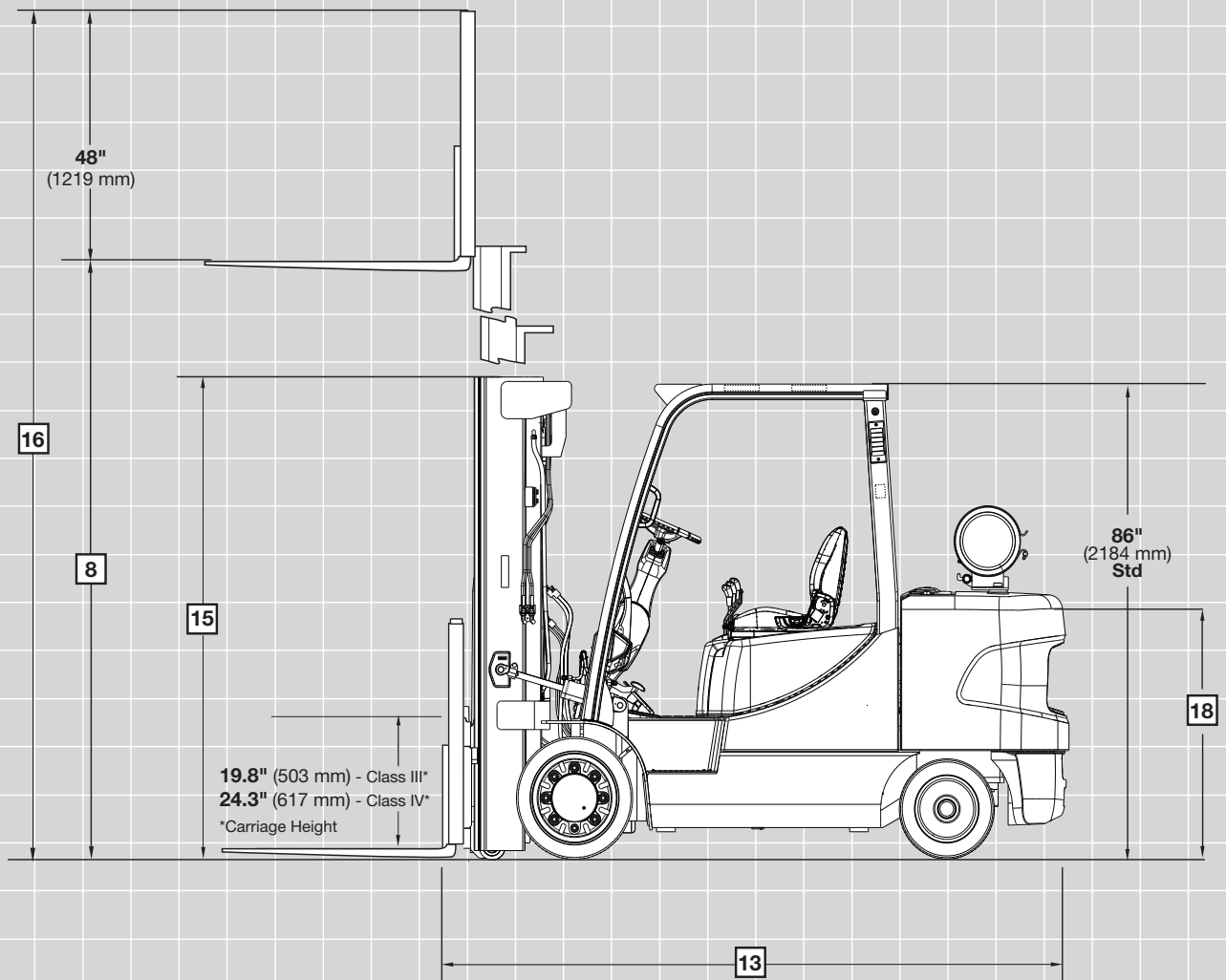
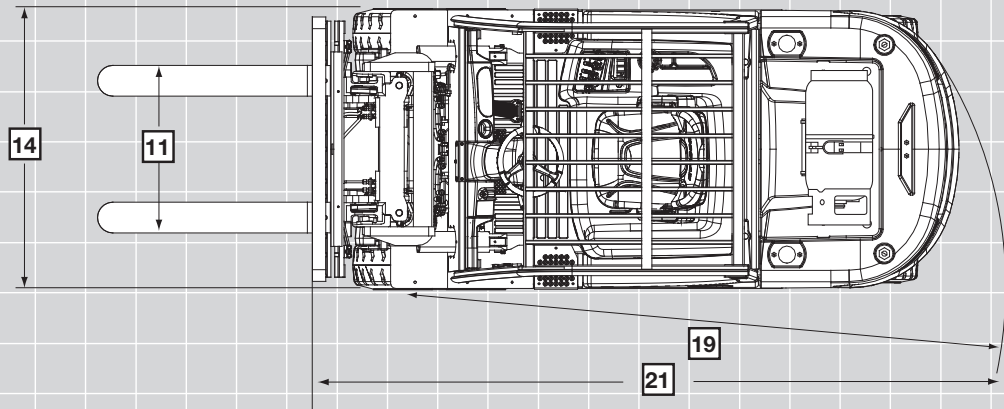
C-G SERIES

Profile Sheet

IC Cushion Tire
7,000-12,000 lbs



C-G Series



C-G Series

Characteristics	1	Model		CGC35S-5	CGC40S-5	CGC45S-5	CGC50C-5	CGC55C-5	
	2	Load Capacity	At Rated Load Center	lb (kg)	7,000 (3,500)	8,000 (4,000)	10,000 (4,500)	11,000 (5,000)	12,000 (5,500)
	3	Load Center		in (mm)	24 (500)	24 (500)	24 (600)	24 (600)	24 (600)
	4	Power Type	Elec, Diesel, LPG, Gasoline		LPG	LPG	LPG	LPG	LPG
	5	Operator Type			Driver-Seated	Driver-Seated	Driver-Seated	Driver-Seated	Driver-Seated
	6	Tire Type	P:Pnu, E:Solid Soft, C:Cush		C	C	C	C	C
	7	Wheels (x = driven)	Front / Rear		x 2 / 2	x 2 / 2	x 2 / 2	x 2 / 2	x 2 / 2
Dimensions	8	Max. Fork Height	with STD 2-Stage Mast	in (mm)	113.4 (2,880)	113.4 (2,880)	113.4 (2,880)	103.5 (2,630)	103.5 (2,630)
	9	Free Lift		in (mm)	6.3 (160)	6.3 (160)	6.3 (160)	6.3 (160)	6.3 (160)
	10	Fork Carriage	ISO Class		III	III	IV	IV	IV
	11	Forks	Length x Width x Thickness	in (mm)	48.0x5.9x2.0 (1,220x150x50)	48.0x5.9x2.0 (1,220x150x50)	48.0x5.9x2.0 (1,220x150x50)	48.0x5.9x2.0 (1,220x150x50)	48.0x5.9x2.0 (1,220x150x50)
			Fork Spacing(Min x Max)		12.2 (310) / 42.6 (1,082)	12.2 (310) / 42.6 (1,082)	12.2 (310) / 42.6 (1,082)	13.4 (340) / 50.8 (1,290)	13.4 (340) / 50.8 (1,290)
	12	Tilt of Mast	Forward / Backward	deg	5 / 6	5 / 6	5 / 6	5 / 6	5 / 6
	13		Length to Fork Face	in (mm)	105.6 (2,682)	105.7 (2,686)	111.3 (2,828)	113.3 (2,878)	118.5 (3,010)
	14	Overall Dimensions	Overall Width	in (mm)	50.0 (1,270)	50.0 (1,270)	55.9 (1,420)	55.9 (1,420)	55.9 (1,420)
			Mast Lowered Height	in (mm)	84.1 (2,135)	84.1 (2,135)	86.0 (2,185)	86.0 (2,185)	86.0 (2,185)
			Mast Extended Height	in (mm)	162.0 (4,115)	162.0 (4,115)	169.9 (4,315)	160.0 (4,065)	160.0 (4,065)
			Overhead Guard Height	in (mm)	84.8 (2,155)	84.8 (2,155)	84.8 (2,155)	84.8 (2,155)	84.8 (2,155)
17		Seat Height	in (mm)	44.3 (1,125)	44.3 (1,125)	44.3 (1,125)	44.3 (1,125)	44.3 (1,125)	
18	Turning Radius	Minimum Outside	in (mm)	92.9 (2,360)	94.5 (2,400)	99.6 (2,530)	101.6 (2,580)	103.5 (2,630)	
19	Load Moment Center		in (mm)	19.9 (505)	19.9 (505)	19.9 (505)	20.3 (515)	20.3 (515)	
20	Aisle 90 degree stacking (add load length & clearance)		in (mm)	112.8 (2,865)	114.4 (2,905)	119.5 (3,035)	121.9 (3,095)	123.8 (3,145)	
Weight	27	Total Service Weight, Unloaded		lb (kg)	12,059 (5,470)	12,897 (5,850)	14,330 (6,500)	15,410 (6,990)	16,182 (7,340)
	28	Axle Load	Loaded, Front / Rear	lb (kg)	17,571 / 2,205 (7,970 / 1,000)	19,158 / 2,557 (8,690 / 1,160)	21,550 / 2,701 (9,775 / 1,225)	23,435 / 2,998 (10,630 / 1,360)	24,998 / 3,329 (11,330 / 1,510)
			Unloaded, Front / Rear	lb (kg)	4,916 / 7,143 (2,230 / 3,240)	4,696 / 8,201 (2,130 / 3,720)	5,501 / 8,830 (2,495 / 4,005)	5,556 / 9,844 (2,520 / 4,470)	5,291 / 10,891 (2,400 / 4,940)
29									
Chassis	30	Tires	Number of wheels(F / R)	Ah	2 / 2	2 / 2	2 / 2	2 / 2	2 / 2
	31		Size, Front		22x9x16	22x9x16	22x12x16	22x12x16	22x12x16
	32		Size, Rear		18x6x12-1/8	18x7x12-1/8	18x8x12.1	18x8x12.1	18x8x12.1
	33	Wheel Base	Distance	in (mm)	64.2 (1,630)	64.2 (1,630)	70.5 (1,790)	70.5 (1,790)	70.5 (1,790)
	34	Tread Width	Front / Rear	in (mm)	41.0 / 41.1 (1,042 / 1,044)	41.0 / 41.1 (1,042 / 1,044)	43.9 / 41.1 (1,116 / 1,044)	43.9 / 41.1 (1,116 / 1,044)	43.9 / 41.1 (1,116 / 1,044)
	35	Ground Clearance	Loaded at the lowest point	in (mm)	5.1 (130)	5.1 (130)	5.1 (130)	5.1 (130)	5.1 (130)
			Loaded at center of wheelbase	in (mm)	5.1 (130)	5.1 (130)	5.1 (130)	5.1 (130)	5.1 (130)
37	Brakes	Service		foot / hyd	foot / hyd	foot / hyd	foot / hyd	foot / hyd	
		Parking		hand / mech	hand / mech	hand / mech	hand / mech	hand / mech	
38									
Power Train	39	Battery	Voltage / Ampere	V/AH	12 / 75	12 / 75	12 / 75	12 / 75	12 / 75
	40	Engine	Manufacturer / Model		G643E	G643E	G643E	G643E	G643E
			Rated Power(DIN)	HP/rpm	94 / 2,500	94 / 2,500	94 / 2,500	94 / 2,500	94 / 2,500
				kW/rpm	70 / 2,500	70 / 2,500	70 / 2,500	70 / 2,500	70 / 2,500
	42	Maximum Torque		lb_ft/rpm	224 / 1,500	224 / 1,500	224 / 1,500	224 / 1,500	224 / 1,500
				kg_m/rpm	31 / 1,500	31 / 1,500	31 / 1,500	31 / 1,500	31 / 1,500
	43		Cylinders / Displacements	CC	6 / 4,294	6 / 4,294	6 / 4,294	6 / 4,294	6 / 4,294
44	Transmission	Type		powershift	powershift	powershift	powershift	powershift	
		Number of Speed (Fwd / Rev)		2 / 2	2 / 2	2 / 2	2 / 2	2 / 2	
45	Hydraulic Pressure	System	psi (bar)	2,755 (190)	3,045 (210)	3,045 (210)	3,045 (210)	3,335 (230)	
		Attachment	psi (bar)	2,030 (140)	2,030 (140)	2,030 (140)	2,030 (140)	2,030 (140)	

Note: Specification values quoted in this specification sheet has been rounded. Performance may vary due to operation conditions. Products and specifications are subject to improvement and change without prior notices.

C-G Series

Mast Chart CGC35S-5

Mast type	Maximum Fork Height		Maximum Lowered Height		Fully Extended Height		Free Lift		Rated Load Capacities			
					With Load Backrest		With Load Backrest		CGC35S-5			
					Tilt Angle		Load Capacities		Narrow		Narrow	
					FWD	BWD	LC500mm	LC24in				
	mm	in	mm	in	mm	in	mm	in	deg	deg	kg	lb
TL	3000	118.1	2195	86.4	4265	167.9	160	6.3	5	6	3500	7000
	3300	129.9	2345	92.3	4565	179.7	160	6.3	5	6	3500	7000
	3650	143.7	2520	99.2	4915	193.5	160	6.3	5	6	3500	7000
	4000	157.5	2845	112.0	5265	207.3	160	6.3	5	6	3500	7000
	4250	167.3	2970	116.9	5515	217.1	160	6.3	5	6	3450	7000
	4850	190.9	3420	134.6	6115	240.7	160	6.3	5	6	3275	6650
TF	3000	118.1	2175	85.6	4250	167.3	975	38.4	5	6	3500	7000
TT	4000	157.5	2060	81.1	5265	207.3	860	33.9	5	6	3375	6850
	4250	167.3	2145	84.4	5530	217.7	945	37.2	5	6	3325	6750
	4700	185.0	2295	90.4	5980	235.4	1095	43.1	5	6	3200	6500
	5150	202.8	2445	96.3	6430	253.1	1245	49.0	5	6	3100	6300
	5600	220.5	2595	102.2	6880	270.9	1395	54.9	5	6	2975	6100
	6050	238.2	2745	108.1	7330	288.6	1545	60.8	5	6	2775	5850

Mast Chart CGC40S-5

Mast type	Maximum Fork Height		Maximum Lowered Height		Fully Extended Height		Free Lift		Rated Load Capacities			
					With Load Backrest		With Load Backrest		CGC40S-5			
					Tilt Angle		Load Capacities		Narrow		Narrow	
					FWD	BWD	LC500mm	LC24in				
	mm	in	mm	in	mm	in	mm	in	deg	deg	kg	lb
TL	3000	118.1	2195	86.4	4265	167.9	160	6.3	5	6	4000	8000
	3300	129.9	2345	92.3	4565	179.7	160	6.3	5	6	4000	8000
	3650	143.7	2520	99.2	4915	193.5	160	6.3	5	6	4000	8000
	4000	157.5	2845	112.0	5265	207.3	160	6.3	5	6	4000	8000
	4250	167.3	2970	116.9	5515	217.1	160	6.3	5	6	3950	8000
	4850	190.9	3420	134.6	6115	240.7	160	6.3	5	6	3700	7550
TF	3000	118.1	2175	85.6	4250	167.3	975	38.4	5	6	4000	8000
TT	4000	157.5	2060	81.1	5265	207.3	860	33.9	5	6	3900	7900
	4250	167.3	2145	84.4	5530	217.7	945	37.2	5	6	3825	7800
	4700	185.0	2295	90.4	5980	235.4	1095	43.1	5	6	3700	7500
	5150	202.8	2445	96.3	6430	253.1	1245	49.0	5	6	3575	7300
	5600	220.5	2595	102.2	6880	270.9	1395	54.9	5	6	3450	7050
	6050	238.2	2745	108.1	7330	288.6	1545	60.8	5	6	2675	6050

C-G Series

Mast Chart CGC45S-5

Mast type	Maximum Fork Height		Maximum Lowered Height		Fully Extended Height		Free Lift		Rated Load Capacities			
									CGC45S-5			
					With Load Backrest		With Load Backrest		Tilt Angle		Load Capacities	
									Narrow		Narrow	
mm	in	mm	in	mm	in	mm	in	FWD deg	BWD deg	LC600mm kg	LC24in lb	
TL	3000	118.1	2195	86.4	4415	173.8	160	6.3	5	6	4500	10000
	3300	129.9	2345	92.3	4715	185.6	160	6.3	5	6	4500	10000
	3650	143.7	2520	99.2	5065	199.4	160	6.3	5	6	4500	10000
	4000	157.5	2845	112.0	5415	213.2	160	6.3	5	6	4500	10000
	4250	167.3	2970	116.9	5665	223.0	160	6.3	5	6	4500	10000
	4850	190.9	3420	134.6	6265	246.7	160	6.3	5	6	4375	9550
TF	3000	118.1	2175	85.6	4400	173.2	825	32.5	5	6	4500	10000
TT	4000	157.5	2055	80.9	5415	213.2	705	27.8	5	6	4500	9850
	4250	167.3	2145	84.4	5680	223.6	795	31.3	5	6	4425	9700
	4700	185.0	2295	90.4	6130	241.3	945	37.2	5	6	4275	9400
	5150	202.8	2445	96.3	6580	259.1	1095	43.1	5	6	4150	9100
	5600	220.5	2595	102.2	7030	276.8	1245	49.0	5	6	4025	8800
	6050	238.2	2745	108.1	7480	294.5	1395	54.9	5	6	3900	8550

Mast Chart CGC50C-5

Mast type	Maximum Fork Height		Maximum Lowered Height		Fully Extended Height		Free Lift		Rated Load Capacities			
									CGC50C-5			
					With Load Backrest		With Load Backrest		Tilt Angle		Load Capacities	
									Narrow		Narrow	
mm	in	mm	in	mm	in	mm	in	FWD deg	BWD deg	LC600mm kg	LC24in lb	
TL	2750	108.3	2195	86.4	4165	164.0	170	6.7	5	6	5000	11000
	3050	120.1	2345	92.3	4465	175.8	170	6.7	5	6	5000	11000
	3400	133.9	2520	99.2	4815	189.6	170	6.7	5	6	5000	11000
	3750	147.6	2845	112.0	5165	203.3	170	6.7	5	6	5000	11000
	4000	157.5	2970	116.9	5415	213.2	170	6.7	5	6	5000	11000
	4600	181.1	3420	134.6	6015	236.8	170	6.7	5	6	4950	10850
TF	2875	113.2	2175	85.6	4275	168.3	835	32.9	5	6	5000	11000
TT	3875	152.6	2055	80.9	5290	208.3	715	28.1	5	6	5000	11000
	4125	162.4	2145	84.4	5555	218.7	805	31.7	5	6	4975	10900
	4575	180.1	2295	90.4	6005	236.4	955	37.6	5	6	4825	10550
	5025	197.8	2445	96.3	6455	254.1	1105	43.5	5	6	4675	10250
	5475	215.6	2595	102.2	6905	271.8	1255	49.4	5	6	4525	9900
	5925	233.3	2745	108.1	7355	289.6	1405	55.3	5	6	4400	9600

Mast Chart CGC55C-5

Mast type	Maximum Fork Height		Maximum Lowered Height		Fully Extended Height		Free Lift		Rated Load Capacities			
									CGC55C-5			
					With Load Backrest		With Load Backrest		Tilt Angle		Load Capacities	
									Narrow		Narrow	
mm	in	mm	in	mm	in	mm	in	FWD deg	BWD deg	LC600mm kg	LC24in lb	
TL	2750	108.3	2195	86.4	4165	164.0	170	6.7	5	6	5500	12100
	3050	120.1	2345	92.3	4465	175.8	170	6.7	5	6	5500	12100
	3400	133.9	2520	99.2	4815	189.6	170	6.7	5	6	5500	12100
	3750	147.6	2845	112.0	5165	203.3	170	6.7	5	6	5500	12100
	4000	157.5	2970	116.9	5415	213.2	170	6.7	5	6	5500	12100
	4600	181.1	3420	134.6	6015	236.8	170	6.7	5	6	5400	11800
TF	2875	113.2	2175	85.6	4275	168.3	835	32.9	5	6	5500	12100
TT	3875	152.6	2055	80.9	5290	208.3	715	28.1	5	6	5500	12100
	4125	162.4	2145	84.4	5555	218.7	805	31.7	5	6	5425	11850
	4575	180.1	2295	90.4	6005	236.4	955	37.6	5	6	5250	11500
	5025	197.8	2445	96.3	6455	254.1	1105	43.5	5	6	5100	11150
	5475	215.6	2595	102.2	6905	271.8	1255	49.4	5	6	4950	10850
	5925	233.3	2745	108.1	7355	289.6	1405	55.3	5	6	4800	10500



Crown Equipment Corporation
New Bremen, Ohio 45869 USA
Tel 419-629-2311
Fax 419-629-3796
crown.com

You can count on Crown to build lift trucks designed for safe operation, but that's only part of the safety equation. Crown encourages safe operating practices through ongoing operator training, safety-focused supervision, maintenance and a safe working environment. Go to crown.com and view our safety section to learn more.

Because Crown is continually improving its products, specifications are subject to change without notice.

Crown, the Crown logo, the color beige, the Momentum symbol are trademarks of Crown Equipment Corporation.

Copyright 2017 Crown Equipment Corporation
SF19742 03-17
Printed in U.S.A.