



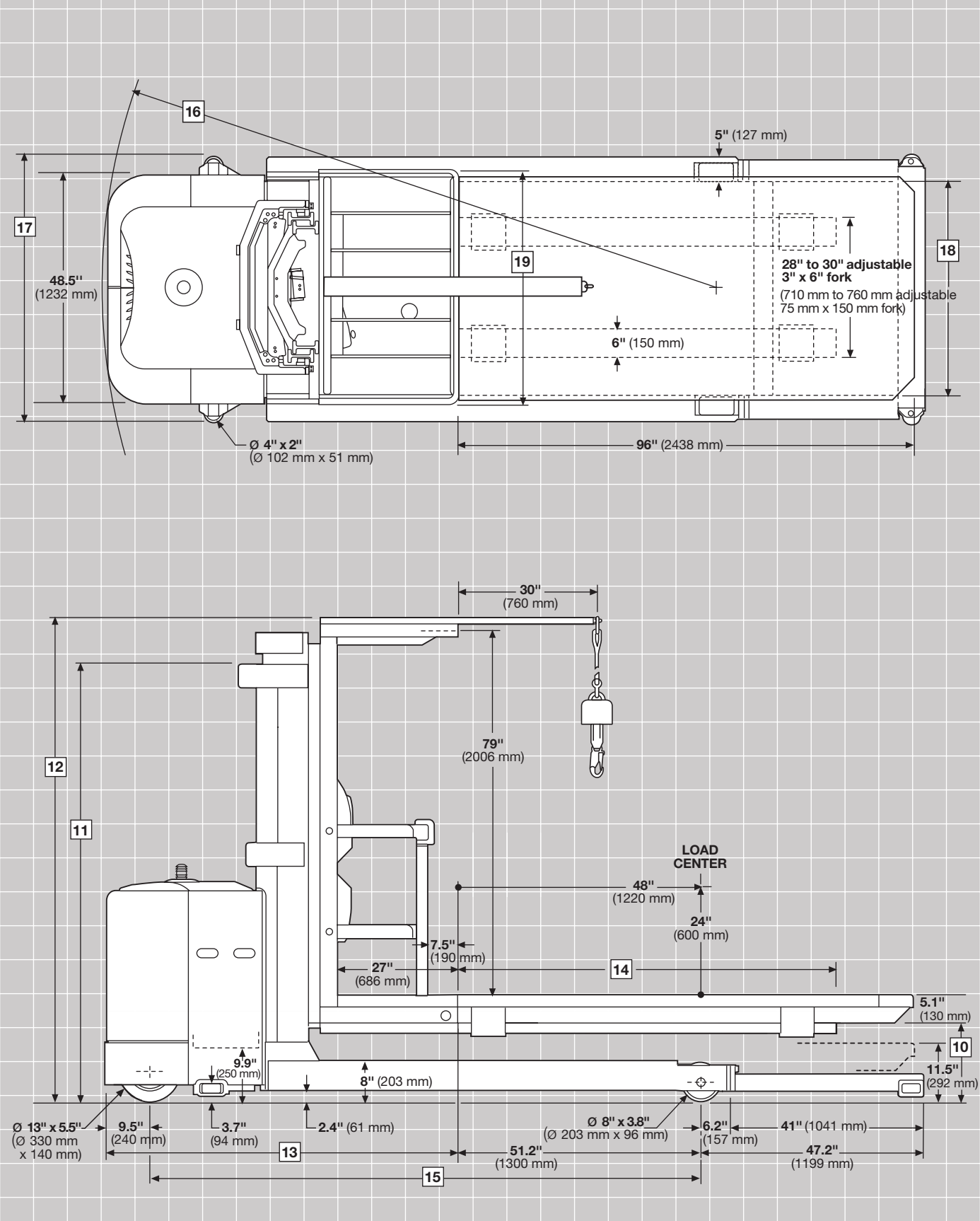
# SP 3500 SERIES

## Profile Sheet

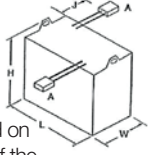
Four-Point Stockpicker  
SP 3580F Model



# SP 3580F Model Platform Stockpickers

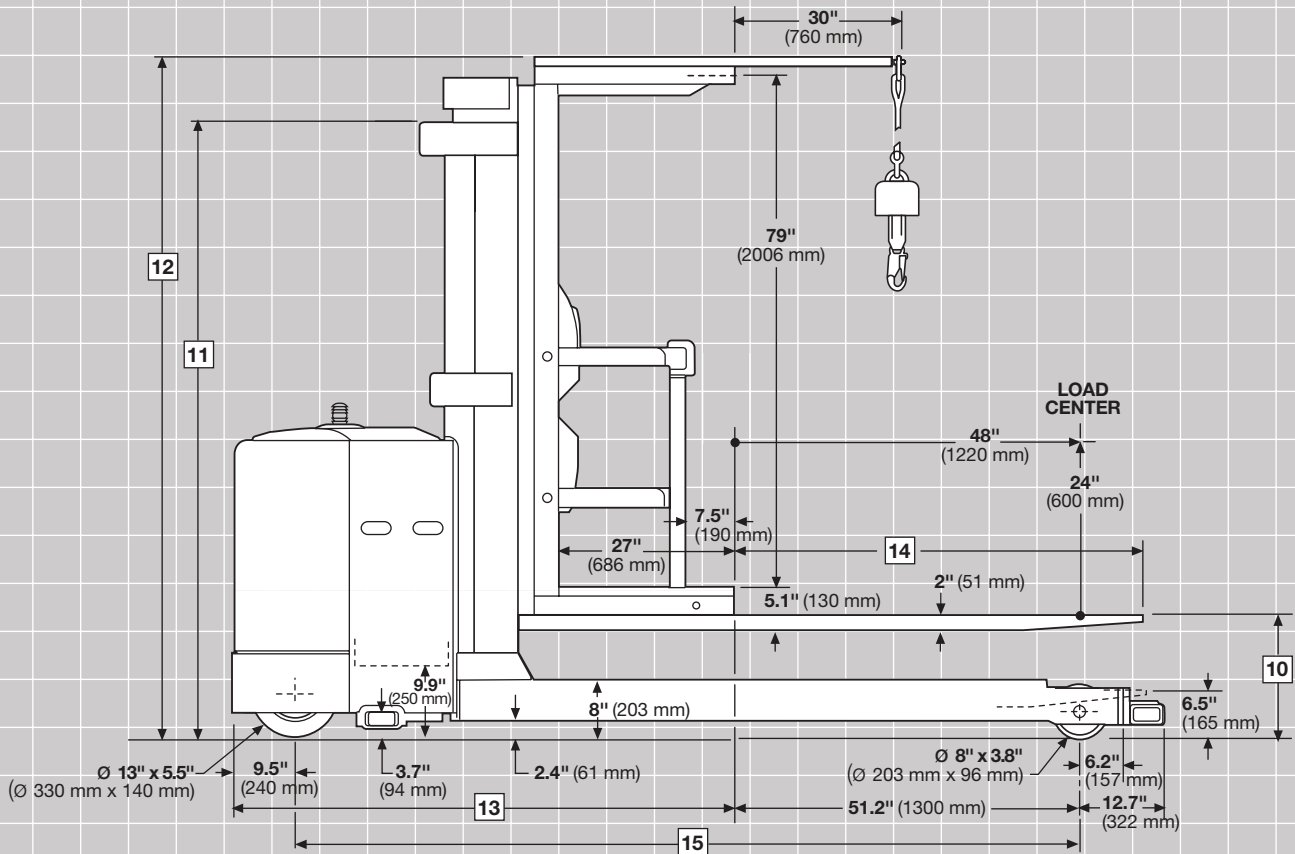
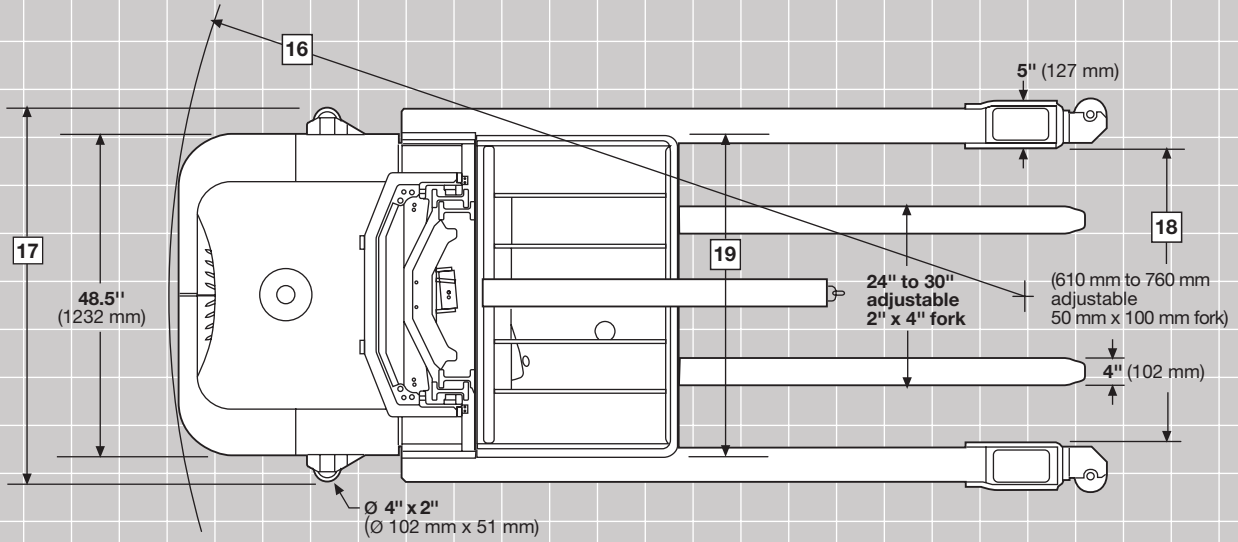


# SP 3580F Model

			Imperial				Metric							
General Information	1	<b>Manufacturer</b>	Crown Equipment Corporation											
	2	<b>Model</b>	SP 3580F											
	3	<b>Load Capacity*</b>	48" (1200 mm) Load Center to 330" (8380 mm)	lb	kg	1500				680				
	4	<b>Load Center</b>	Platform face to load CG	in	mm	48				1220				
	5	<b>Power</b>	Electric	24 Volts										
	6	<b>Operator Type</b>	Stand-up Rider	Stockpicker										
	7	<b>Tire Type</b>	Load / Drive / Caster	Poly / Poly / Poly										
	8	<b>Wheels</b>	Load / Drive / Caster	2 / 1 / 1										
Dimensions	9	<b>Mast Type</b>	Triple-telescopic								TT			
	10	<b>Lift Height</b>	(LH)	in	mm	210	5335	240	6095	276	7010	294	7470	
						312	7925	330	8380	348**	8840**	366**	9295**	
		<b>Free Lift</b>	With LBR	in	mm	8	205	20	510	32	815	38	965	
						44	1120	56	1425	62	1575	68	1730	
	11	<b>Collapsed Height</b>		in	mm	95	2415	107	2720	119	3025	125	3175	
						131	3330	143	3630	149	3785	155	3935	
	12	<b>Extended Height</b>	(EH)	in	mm	298	7570	328	8330	364	9250	382	9705	
						400	10160	418	10620	436	11075	454	11535	
		<b>Truck Weight</b>	Without Battery	lb	kg	7073	3210	7228	3280	7665	3475	7786	3530	
						7879	3575	8008	3630	8102	3675	8195	3720	
	13	<b>Head Length</b>		in	mm	75.6				1920				
	14	<b>Forks – Standard</b>	Platform L x W x T	in	mm	84 x 6 x 3 Box Section				2135 x 150 x 75 Box Section				
			Cart Handling L x W x T	in	mm	60 x 4 x 2				1525 x 100 x 50				
	15	<b>Wheelbase</b>		in	mm	117.3				2980				
	16	<b>Turning Radius</b>		in	mm	127.6				3241				
	17	<b>Aisle Guide Wheel Range</b>		in	mm	49.5" to 77.5" (11.5" to 15.5" Greater than inside straddle in .25" increments)				1260 to 1970 (292 to 394 Greater than inside straddle in 6 mm increments)				
18						<b>Straddle Width</b>	Inside Straddle	in	mm	38 to 63 in 1" increments				970 to 1600 in 25 mm increments
	Outside Straddle	in	mm	Add 10"				Add 254						
19	<b>Operator Compartment Width</b>		in	mm	48 Standard; 42, 54, 60 and 64 Optional				1220 Standard; 1070, 1370, 1525 and 1625 Optional					
Battery	<b>Battery</b>	 <p>-Width is measured on the side of the battery with lifting hooks</p>	Type	Lead Acid				Lead Acid						
			Min Weight	lb	kg	1520				690				
			Max Amp	amp			1085				1085			
			Max Size L X W X H	in	mm	36.25 x 14.25 x 31				920 x 360 x 790				

\* Contact factory. Capacity depends on maximum lift height, straddle width, load center and fork length.

\*\*Minimum straddle ID = 42"





**Crown Equipment Corporation**

New Bremen, Ohio 45869 USA

**Tel** 419-629-2311

**Fax** 419-629-3796

[crown.com](http://crown.com)

**You can count on Crown to build lift trucks designed for safe operation, but that's only part of the safety equation. Crown encourages safe operating practices through ongoing operator training, safety-focused supervision, maintenance and a safe working environment. Go to [crown.com](http://crown.com) and view our safety section to learn more.**

Because Crown is continually improving its products, specifications are subject to change without notice.

Crown, the Crown logo, the color beige, the Momentum symbol, Access 1 2 3, InfoLink, InfoLink for Windows, InfoPoint and Work Assist are trademarks of Crown Equipment Corporation. Other trademarks are property of their owners.

Copyright 2010-2014 Crown Equipment Corporation  
SF18499 Rev. 02/14  
Printed in U.S.A.