

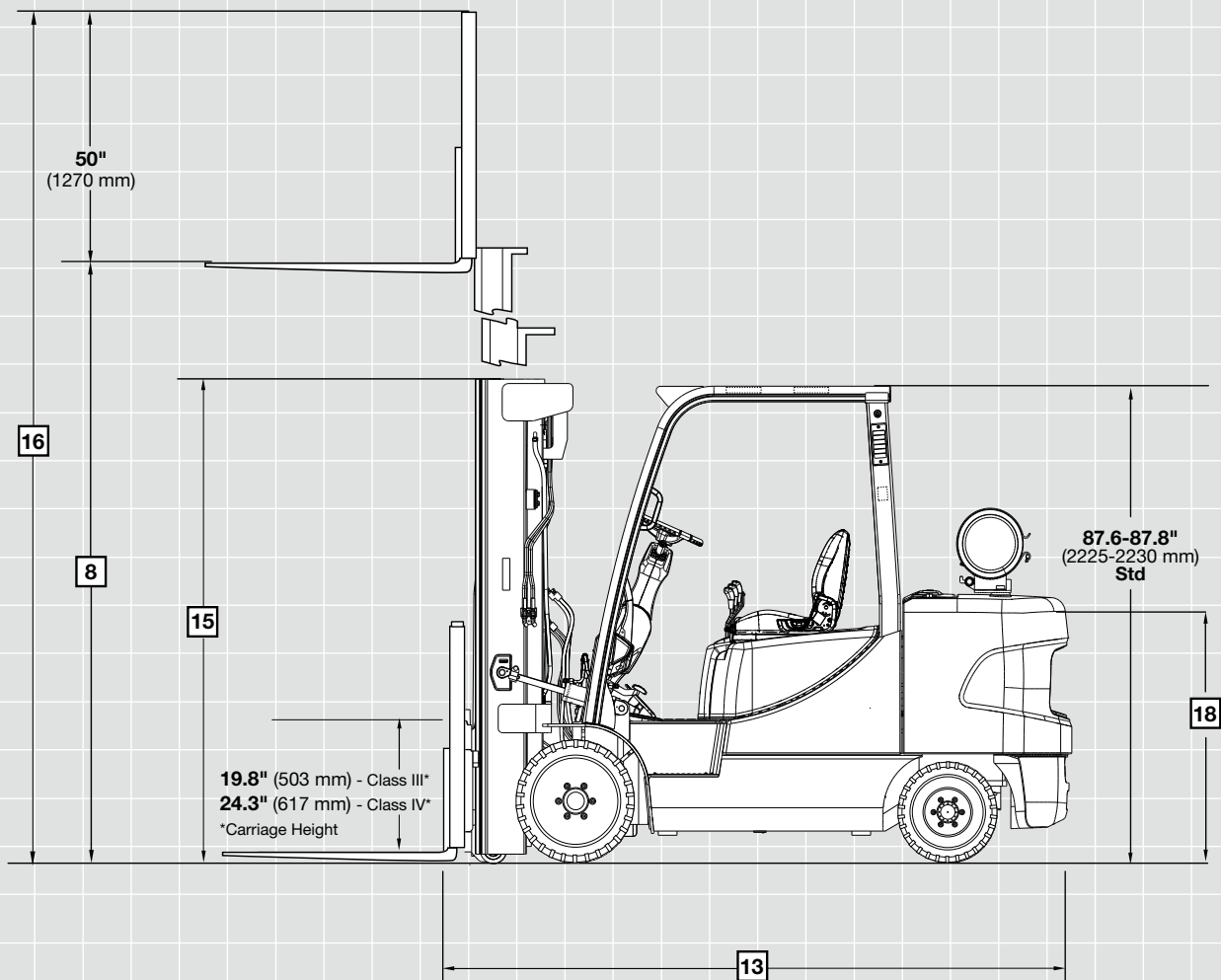
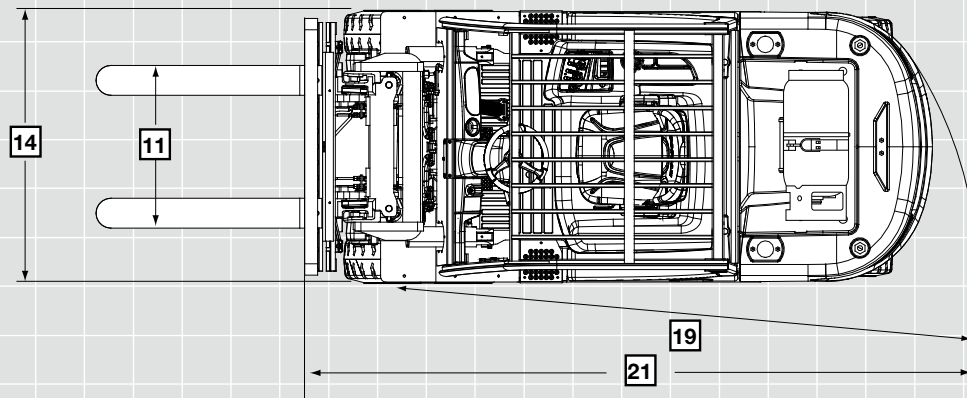
CROWN

C-G SERIES

Specifications

IC Pneumatic Tire
8,000-12,000 lbs





C-G Series

Specifications

Characteristics	1	Model		CG35S-5	CG40S-5	CG45S-5	CG50C-5	CG55C-5	
	2	Load Capacity	At Rated Load Center	lb (kg)	8,000 (3,500)	9,000 (4,000)	10,000 (4,500)	11,000 (5,000)	12,000 (5,500)
	3	Load Center		in (mm)	24 (600)	24 (600)	24 (600)	24 (600)	24 (600)
	4	Power Type	Elec, Diesel, LPG, Gasoline		LPG	LPG	LPG	LPG	LPG
	5	Operator Type			Driver-Seated	Driver-Seated	Driver-Seated	Driver-Seated	Driver-Seated
	6	Tire Type	P:Pnu, E:Solid Soft, C:Cush		P	P	P	P	P
	7	Wheels (x = driven)	Front / Rear		x 2 / 2	x 2 / 2	x 2 / 2	x 2 / 2	x 2 / 2
Dimensions	8	Max. Fork Height	with STD 2-Stage Mast	in (mm)	118.1 (3,000)	118.1 (3,000)	118.1 (3,000)	120.1 (3,050)	120.1 (3,050)
	9	Free Lift		in (mm)	6.3 (160)	6.3 (160)	6.3 (160)	6.7 (170)	6.7 (170)
	10	Fork Carriage	ISO Class		III	III	IV	IV	IV
	11	Forks	Length x Width x Thickness	in (mm)	41.3x5.9x2.0 (1,050x150x50)	41.3x5.9x2.0 (1,050x150x50)	47.2x5.9x2.0 (1,200x150x50)	47.2x5.9x2.4 (1,200x150x60)	47.2x5.9x2.4 (1,200x150x60)
			Fork Spacing (Min x Max)	in (mm)	12.2 (310) / 46.5 (1,182)	12.2 (310) / 46.5 (1,182)	13.4 (340) / 50.8 (1,290)	13.4 (340) / 50.8 (1,290)	13.4 (340) / 50.8 (1,290)
	12	Tilt of Mast	Forward / Backward		deg	8 / 10	8 / 10	8 / 10	8 / 10
	13		Length to Fork Face	in (mm)	122.0 (3,100)	124.0 (3,150)	128.5 (3,265)	129.9 (3,300)	131.9 (3,350)
	14	Overall Dimensions	Overall Width	in (mm)	54.0 (1,372)	57.1 (1,451)	57.1 (1,451)	57.1 (1,451)	57.1 (1,451)
			Mast Lowered Height	in (mm)	87.6 (2,225)	87.8 (2,230)	87.8 (2,230)	93.7 (2,380)	93.7 (2,380)
			Mast Extended Height	in (mm)	167.9 (4,265)	168.1 (4,270)	174.0 (4,420)	176.0 (4,470)	176.0 (4,470)
			Overhead Guard Height	in (mm)	87.6 (2,225)	87.8 (2,230)	87.8 (2,230)	87.8 (2,230)	87.8 (2,230)
17		Seat Height	in (mm)	49.1 (1,248)	49.4 (1,255)	49.4 (1,255)	49.4 (1,255)	49.4 (1,255)	
18		Turning Radius	Minimum Outside	in (mm)	109.1 (2,770)	111.0 (2,820)	112.8 (2,865)	115.4 (2,930)	117.7 (2,990)
19		Load Moment Center		in (mm)	22.1 (561)	22.1 (561)	22.1 (561)	22.5 (571)	22.5 (571)
20		Aisle 90 degree stacking (add load length & clearance)		in (mm)	131.2 (3,331)	133.1 (3,381)	134.9 (3,426)	137.9 (3,501)	140.2 (3,561)
Performance	22	Travel Speed	Loaded / Unloaded	mph (km/h)	12.4 / 13.0 (20 / 21)	12.1 / 12.7 (19.5 / 20.5)	12.1 / 12.7 (19.5 / 20.5)	12.1 / 12.7 (19.5 / 20.5)	12.1 / 12.7 (19.5 / 20.5)
	23	Lifting Speed	Loaded / Unloaded	fpm (mm/s)	98.4 / 106.3 (500 / 540)	98.4 / 106.3 (500 / 540)	98.4 / 106.3 (500 / 540)	96.5 / 106.3 (490 / 540)	92.5 / 106.3 (470 / 540)
	24	Lowering Speed	Loaded / Unloaded	fpm (mm/s)	94.5 / 88.6 (480 / 450)	94.5 / 88.6 (480 / 450)	94.5 / 88.6 (480 / 450)	96.5 / 88.6 (490 / 450)	96.5 / 88.6 (490 / 450)
	25	Max. Drawbar Pull	Loaded at 1.0 mph (1.6 km/h)	lb (kg)	7,496.5 (3,355)	7,561.8 (3,430)	7,517.7 (3,410)	7,517.7 (3,410)	7,936.6 (3,600)
	26	Max. Gradeability	Loaded at 1.0 mph (1.6 km/h)	%	36	33.5	30.7	30.7	28
Weight	27	Total Service Weight, Unloaded		lb (kg)	12,765 (5,790)	13,625 (6,180)	14,440 (6,550)	15,543 (7,050)	16,292 (7,390)
	28	Axle Load	Loaded, Front / Rear	lb (kg)	18,111 / 2,370 (8,215 / 1,075)	19,798 / 2,646 (8,980 / 1,200)	21,606 / 2,756 (9,800 / 1,250)	23,545 / 3,020 (10,680 / 1,370)	25,067 / 3,351 (11,370 / 1,520)
			Unloaded, Front / Rear	lb (kg)	5,919 / 6,845 (2,685 / 3,105)	5,864 / 7,760 (2,660 / 3,520)	6,195 / 8,245 (2,810 / 3,740)	6,371 / 9,171 (2,890 / 4,160)	6,173 / 10,119 (2,800 / 4,590)
29									
Chassis	30	Tires	Number of wheels (F / R)	Ah	2 / 2	2 / 2	2 / 2	2 / 2	2 / 2
			Size, Front		8.25x15-14	300x15-18	300x15-18	300x15-18	300x15-18
			Size, Rear		7.00x12-12	7.00x12-12	7.00x12-12	7.00x12-14	7.00x12-14
	31								
	32								
	33	Wheel Base	Distance	in (mm)	78.7 (2,000)	78.7 (2,000)	82.7 (2,100)	82.7 (2,100)	82.7 (2,100)
	34	Tread Width	Front / Rear	in (mm)	44.8 / 43.9 (1,138 / 1,115)	45.4 / 43.9 (1,153 / 1,115)	45.4 / 43.9 (1,153 / 1,115)	45.4 / 43.9 (1,153 / 1,115)	45.4 / 43.9 (1,153 / 1,115)
35	Ground Clearance	Loaded at the lowest point	in (mm)	6.3 (160)	6.3 (160)	6.3 (160)	6.3 (160)	6.3 (160)	
36		Loaded at center of wheelbase	in (mm)	8.1 (205)	8.1 (205)	8.1 (205)	8.1 (205)	8.1 (205)	
37	Brakes	Service		foot / hyd	foot / hyd	foot / hyd	foot / hyd	foot / hyd	
		Parking			ratchet	ratchet	ratchet	ratchet	
38									
Power Train	39	Battery	Voltage / Ampere	V/AH	12 / 75	12 / 75	12 / 75	12 / 75	12 / 75
	40	Engine	Manufacturer / Model		PSI 4.3	PSI 4.3	PSI 4.3	PSI 4.3	PSI 4.3
			Rated Power(DIN)	HP/rpm	94 / 2,500	94 / 2,500	94 / 2,500	94 / 2,500	94 / 2,500
				kW/rpm	70 / 2,500	70 / 2,500	70 / 2,500	70 / 2,500	70 / 2,500
				lb_ft/rpm	224 / 1,500	224 / 1,500	224 / 1,500	224 / 1,500	224 / 1,500
	41		Maximum Torque	kg_m/rpm	31 / 1,500	31 / 1,500	31 / 1,500	31 / 1,500	31 / 1,500
	42								
43		Cylinders / Displacements	CC	6 / 4,294	6 / 4,294	6 / 4,294	6 / 4,294	6 / 4,294	
44	Transmission	Type		powershift	powershift	powershift	powershift	powershift	
		Number of Speeds (Fwd / Rev)		2 / 2	2 / 2	2 / 2	2 / 2	2 / 2	
45	Hydraulic Pressure	System	psi (bar)	2,755 (190)	2,755 (190)	3,045 (210)	3,045 (210)	3,335 (230)	
		Attachment	psi (bar)	2,030 (140)	2,030 (140)	2,030 (140)	2,030 (140)	2,030 (140)	

Note: Specification values quoted in this specification sheet has been rounded. Performance may vary due to operation conditions.
 Products and specifications are subject to improvement and change without prior notices.

C-G Series

Specifications

Mast Chart CG35S-5

Mast Type	Maximum Fork Height		Maximum Lowered Height		Fully Extended Height		Free Lift		Rated Load Capacities										
									CG35S-5										
					With Load Backrest		With Load Backrest		Tilt Angle				Load Capacities						
									Single Pneu.		Double Pneu.		Single Pneu.			Double Pneu.			
FWD	BWD	FWD	BWD	LC500mm	LC600mm	LC24in	LC500mm	LC600mm	LC24in	kg	kg	lb	kg	kg	lb				
mm	in	mm	in	mm	in	mm	in	deg	deg	deg	deg	kg	kg	lb	kg	kg	lb		
TL	3000	118	2225	88	4265	168	160	6	8	10	8	10	4000	3655	8000	4000	3655	8000	
	3300	130	2375	94	4565	180	160	6	8	10	8	10	4000	3655	8000	4000	3655	8000	
	3650	144	2550	100	4915	194	160	6	8	10	8	10	4000	3655	8000	4000	3655	8000	
	4000	157	2875	113	5265	207	160	6	8	10	8	10	4000	3655	8000	4000	3655	8000	
	4250	167	3000	118	5515	217	160	6	8	10	8	10	4000	3655	8000	4000	3655	8000	
	4850	191	3450	136	6115	241	160	6	8	8	8	10	3850	3520	7700	3875	3545	7750	
TF	3000	118	2205	87	4250	167	1005	40	8	10	8	10	4000	3660	8000	4000	3660	8000	
TT	4000	157	2090	82	5265	207	890	35	8	8	8	8	3975	3645	7950	4000	3670	8000	
	4250	167	2175	86	5530	218	975	38	8	8	8	8	3900	3575	7800	3950	3625	7900	
	4700	185	2325	92	5980	235	1125	44	8	8	8	8	3775	3465	7550	3800	3485	7600	
	5150	203	2475	97	6430	253	1275	50	8	5	8	8	3650	3350	7300	3675	3370	7350	
	5600	220	2625	103	6880	271	1425	56	8	3	8	8	3525	3235	7050	3550	3255	7100	
	6050	238	2775	109	7330	289	1575	62	8	3	8	5	3075	2820	6150	3450	3165	6900	

Mast Chart CG40S-5

Mast Type	Maximum Fork Height		Maximum Lowered Height		Fully Extended Height		Free Lift		Rated Load Capacities										
									CG40S-5										
					With Load Backrest		With Load Backrest		Tilt Angle				Load Capacities						
									Single Pneu.		Double Pneu.		Single Pneu.			Double Pneu.			
FWD	BWD	FWD	BWD	LC500mm	LC600mm	LC24in	LC500mm	LC600mm	LC24in	kg	kg	lb	kg	kg	lb				
mm	in	mm	in	mm	in	mm	in	deg	deg	deg	deg	kg	kg	lb	kg	kg	lb		
TL	3000	118	2230	88	4270	168	160	6	8	10	8	10	4500	4115	9000	4500	4115	9000	
	3300	130	2380	94	4570	180	160	6	8	10	8	10	4500	4115	9000	4500	4115	9000	
	3650	144	2555	101	4920	194	160	6	8	10	8	10	4500	4115	9000	4500	4115	9000	
	4000	157	2880	113	5270	207	160	6	8	10	8	10	4500	4115	9000	4500	4115	9000	
	4250	167	3005	118	5520	217	160	6	8	10	8	10	4500	4025	9000	4500	4115	9000	
	4850	191	3455	136	6120	241	160	6	8	8	8	10	4400	4115	8800	4425	4045	8850	
TF	3000	118	2210	87	4255	168	1010	40	8	10	8	10	4500	4115	9000	4500	4115	9000	
TT	4000	157	2090	82	5270	207	890	35	8	8	8	8	4500	4125	9000	4500	4125	9000	
	4250	167	2180	86	5535	218	980	39	8	8	8	8	4475	4105	8950	4500	4125	9000	
	4700	185	2330	92	5985	236	1130	44	8	8	8	8	4325	3965	8650	4350	3990	8700	
	5150	203	2480	97	6435	253	1280	50	8	5	8	5	4175	3830	8350	4225	3875	8450	
	5600	220	2630	104	6885	271	1430	56	8	3	8	3	4050	3715	8100	4075	3740	8150	
	6050	238	2780	109	7335	289	1580	62	8	3	8	3	3800	3485	7600	3750	3440	7500	

C-G Series

Specifications

Mast Chart CG45S-5

Mast Type	Maximum Fork Height		Maximum Lowered Height		Fully Extended Height		Free Lift		Rated Load Capacities									
									CG45S-5									
					With Load Backrest		With Load Backrest		Tilt Angle				Load Capacities					
									Single Pneu.		Double Pneu.		Single Pneu.			Double Pneu.		
mm	in	mm	in	mm	in	mm	in	deg	deg	deg	deg	LC500mm	LC600mm	LC24in	LC500mm	LC600mm	LC24in	
TL	3000	118	2230	88	4420	174	160	6	8	10	8	10	5000	4570	10000	5000	4570	10000
	3300	130	2380	94	4720	186	160	6	8	10	8	10	5000	4570	10000	5000	4570	10000
	3650	144	2555	101	5070	200	160	6	8	10	8	10	5000	4570	10000	5000	4570	10000
	4000	157	2880	113	5420	213	160	6	8	10	8	10	5000	4570	10000	5000	4570	10000
	4250	167	3005	118	5670	223	160	6	8	10	8	10	5000	4570	10000	5000	4570	10000
	4850	191	3455	136	6270	247	160	6	8	5	8	10	4900	4480	9800	4700	4295	9400
TF	3000	118	2210	87	4400	173	860	34	8	10	8	10	5000	4575	10000	5000	4575	10000
TT	4000	157	2090	82	5415	213	740	29	8	8	8	8	5000	4585	10000	5000	4585	10000
	4250	167	2180	86	5680	224	830	33	8	8	8	8	4975	4565	9950	5000	4585	10000
	4700	185	2330	92	6130	241	980	39	8	8	8	8	4800	4400	9600	4850	4450	9700
	5150	203	2480	98	6580	259	1130	44	8	3	8	8	4650	4265	9300	4525	4150	9050
	5600	220	2630	104	7030	277	1280	50	8	3	8	5	4500	4125	9000	4125	3785	8250
	6050	238	2780	109	7480	294	1430	56	8	3	8	3	3575	3280	7150	3575	3280	7150

Mast Chart CG50C-5

Mast Type	Maximum Fork Height		Maximum Lowered Height		Fully Extended Height		Free Lift		Rated Load Capacities									
									CG50S-5									
					With Load Backrest		With Load Backrest		Tilt Angle				Load Capacities					
									Single Pneu.		Double Pneu.		Single Pneu.			Double Pneu.		
mm	in	mm	in	mm	in	mm	in	deg	deg	deg	deg	LC500mm	LC600mm	LC24in	LC500mm	LC600mm	LC24in	
TL	2750	108	2230	88	4170	164	170	7	8	10	8	10	5500	5030	11000	5500	5030	11000
	3050	120	2380	94	4470	176	170	7	8	10	8	10	5500	5030	11000	5500	5030	11000
	3400	134	2555	101	4820	190	170	7	8	10	8	10	5500	5030	11000	5500	5030	11000
	3750	148	2880	113	5170	204	170	7	8	10	8	10	5500	5030	11000	5500	5030	11000
	4000	157	3005	118	5420	213	170	7	8	10	8	10	5500	5030	11000	5500	5030	11000
	4600	181	3455	136	6020	237	170	7	8	8	8	10	5500	5030	11000	5125	4690	10300
TF	2875	113	2210	87	4275	168	870	34	8	10	8	10	5500	5035	11000	5500	5035	11000
TT	3875	153	2090	82	5290	208	750	30	8	8	8	8	5500	5050	11000	5500	5050	11000
	4125	162	2180	86	5555	219	840	33	8	8	8	8	5500	5050	11000	5500	5050	11000
	4575	180	2330	92	6005	236	990	39	8	8	8	8	5375	4935	10850	5425	4980	10950
	5025	198	2480	98	6455	254	1140	45	8	5	8	8	5200	4775	10500	4600	4220	9300
	5475	216	2630	104	7030	272	1290	51	8	3	8	5	4650	4270	9400	4200	3855	8500
	5925	233	2780	109	7480	290	1440	57	8	3	8	5	3625	3330	7300	3275	3005	6600

Mast Chart CG55C-5

Mast Type	Maximum Fork Height		Maximum Lowered Height		Fully Extended Height		Free Lift		Rated Load Capacities									
									CG55S-5									
					With Load Backrest		With Load Backrest		Tilt Angle				Load Capacities					
									Single Pneu.		Double Pneu.		Single Pneu.		Double Pneu.			
mm	in	mm	in	mm	in	mm	in	deg	deg	deg	deg	LC600mm	LC24in	LC600mm	LC24in			
TL	2750	108	2230	88	4170	164	170	7	8	10	8	10	5500	12100	5500	12100		
	3050	120	2380	94	4470	176	170	7	8	10	8	10	5500	12100	5500	12100		
	3400	134	2555	101	4820	190	170	7	8	10	8	10	5500	12100	5500	12100		
	3750	148	2880	113	5170	204	170	7	8	10	8	10	5500	12100	5500	12100		
	4000	157	3005	118	5420	213	170	7	8	10	8	10	5500	12100	5500	12100		
	4600	181	3455	136	6020	237	170	7	8	8	8	10	5400	11850	4900	10750		
TF	2875	113	2210	87	4275	168	870	34	8	10	8	10	5500	12100	5500	12100		
TT	3875	153	2090	82	5290	208	750	30	8	8	8	8	5500	12100	5500	12100		
	4125	162	2180	86	5555	219	840	33	8	8	8	8	5500	12100	5500	12100		
	4575	180	2330	92	6005	236	990	39	8	8	8	8	5500	12100	5500	12100		
	5025	198	2480	98	6455	254	1140	45	8	5	8	8	5150	11350	4425	9750		
	5475	216	2630	104	6905	272	1290	51	8	3	8	5	4500	9900	4050	8900		
	5925	233	2780	109	7355	290	1440	57	8	3	8	5	3500	7700	3125	6850		

Standard Features

1. PSI 4.3 Liter V6 LPG engine compliant to current EPA standards.
2. 2 Speed Powershift transaxle with Autoshift feature.
3. Cast Iron one piece axle housing with large axle diameters.
4. Wet Disc Brakes. Fully enclosed with 5 year 10,000 hr warranty.
5. Rugged steer axle with large King Pins and tapered roller bearings
6. Lift and Tilt locking hydraulic valve
7. Dual Element air cleaner with high air intake
8. Operator design features
 - Wide Spacious floorboard
 - Tilt Steering Column
 - Suspension seat (Vinyl or Cloth) with high visibility seat belt
 - OSS Operator Sensing System
 - Park brake alarm and seat belt indicator
 - Rear travel handle with horn
 - Park brake alarm and seat belt indicator
 - Low front cowl/dash optimizes site lines
 - Clear view overhead guard and mast design
 - Large Dual Mirrors
 - Front Halogen Work Lights
 - Easy to read gauges monitor engine oil pressure, engine coolant, transmission temp, brake oil level and mast interlock
 - Spinner Knob

Optional Equipment

1. Auto Tilt Leveling
2. Adjustable Top Speed Control
3. Hydraulic Lift Circuit Accumulators
4. Pre-Cleaner Air Intake
5. Dual Operator Fans
6. Panoramic Mirror
7. Travel Alarm
8. Fuel Sensor Light / Alarm
9. 12 Volt auxiliary supply
10. Keyless Ignition
11. Carriage Side Thrust rollers
12. Fire Extinguisher
13. Combo Lights with Turn signals
14. Overhead guard covers
15. Lugged Drive Tires
16. Louvered Side Covers
17. LED Light Packages
18. Static Strap
19. Front-Rear Work Lights (LED)
20. InfoLink®
21. Floor Spotlight
22. Quick Disconnect Attachment Couplings

Other Options

1. Audible travel alarm
 2. Flashing Lights
- Safety considerations and dangers associated with audible travel alarms and flashing lights include:
- Multiple alarms and/or lights can cause confusion.
 - Workers ignore the alarms and/or lights after day-in and day-out exposure.
 - Operator may transfer the responsibility for “looking out” to the pedestrians.
 - Annoys operators and pedestrians.

Other Options Available

Contact your local Crown dealer.

Dimensions and performance data given may vary due to manufacturing tolerances. Performance is based on an average size vehicle and is affected by weight, condition of truck, how it is equipped and the conditions of the operating area. Crown products and specifications are subject to change without notice.



Crown Equipment Corporation
 New Bremen, Ohio 45869 USA
Tel 419-629-2311
Fax 419-629-3796
 crown.com

You can count on Crown to sell lift trucks designed for safe operation, but that's only part of the safety equation. Crown encourages safe operating practices through ongoing operator training, safety-focused supervision, maintenance and a safe working environment. Go to crown.com and view our safety section to learn more.

Because Crown is continually improving its products, specifications are subject to change without notice.

Crown, the Crown logo, the color beige and the Momentum symbol, are trademarks of Crown Equipment Corporation in the United States and other countries.

Copyright 2018 Crown Equipment Corporation
 SF19850 Rev. 01-18
 Printed in U.S.A.