

CROWN

RT 4000 SERIES





Faster Dock Work – Operators quickly move product into and out of lorries with the exceptionally manoeuvrable RT Series stand-up pallet truck, featuring intuitive controls, a suspended floorboard and a chassis only 780 mm wide.



Transporter Excellence – Crown AC technology offers **12.5 km/h travel speeds** and agile performance in congested areas and aisles, while the operator platform height enhances visibility.



Manoeuvrability in Tight Spaces – Responsive steering, a narrow chassis and a short head length simplify work in tightly packed staging areas and narrow aisles, offering a considerable advantage when block stacking.

An outstanding Fit. Dock to Aisle.

The **RT 4020 stand-up rider pallet truck** is engineered to make a huge difference in manoeuvrability, responsiveness, reliability and safety. Each operator touchpoint has been critically evaluated and scrutinised to provide the operator with the right tool for the job



Traction and lift/lower controls operate intuitively with controls oriented to match the intended direction.

A brake release pedal ensures that the truck brake applies immediately when the operator takes his foot off of the pedal.



The Entry Bar® Safety Switch helps to promote operator safety. If an operator places a foot on the entry bar switch, the truck automatically slows down.



A suspended floorboard and spring-loaded castor wheels reduce shocks from dock boards and rough floors, offering outstanding ride comfort. An enhanced suspension to provide additional comfort to the operator is available as an option.



The **electric steering system** gives operators outstanding manoeuvrability and responsiveness. Available in right-hand or left-hand configuration.



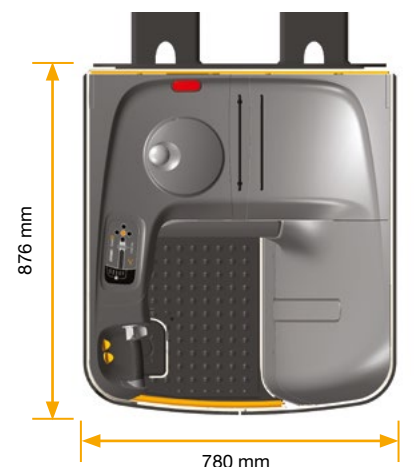
Further options such as the fold-down seat in combination with the foldable footrest provide postural relief for intermediate travel distances. This helps to increase operator comfort and ensure exceptional performance.



A wraparound soft foam lean pad, designed for a wide variety of operator sizes and shapes, provides extra comfort and support, particularly useful when operators lean back to gain better visibility.



RT 4020 Stand-Up



Run Fast. Run Strong.

The RT 4040 sit-down rider pallet truck delivers fast, strong transporting performance, plus so much more. It's an agile workhorse with the comfort operators need to run day after day. Manoeuvrability and visibility are clearly top flight and operator comfort rules.

The steering wheel with spinner knob is sized and positioned to minimise shoulder and arm stress in demanding applications.



A height-adjustable floorboard provides 60 mm of travel so that operators can choose a precise position for comfort.



A low entry step simplifies ingress and egress, reducing wear and tear on the operator while adding another level of safety.

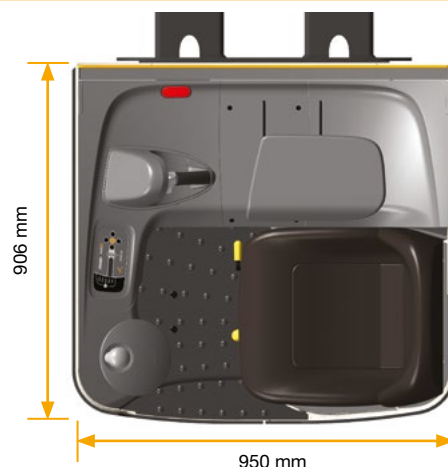


A4 size paper storage is conveniently located underneath the fixed armrest.



The durable ergonomic seat features easy adjustment to accommodate each operator's weight and leg length.

RT 4040 Sit-Down



Seated Transport – Fast-paced, mission-critical jobs require a truck that never lets up and a comfortable work space so the operator can keep going all shift long. The RT Series sit-down pallet truck delivers with powerful acceleration, **12.5 km/h travel speeds**, adjustable seat and floorboard and a higher seating position for better visibility all around.



Versatility at Work – An efficient, compact operator compartment, matched with manoeuvrability enhancements, helps operators skillfully work around the dock and inside lorries.



Move More – The RT Series sit-down pallet truck is designed to excel in long-distance, high-throughput applications. When you need to move more product, the comfortable operator compartment and controls make this the right truck for the job.

Robust. Reliable. Protected.

Crown built the RT 4000 Series for exceptional performance. It starts with a solid, robust, reliable truck. Each feature also makes it clear that the operator is central to the design. Because protecting and assisting the operator is how you take care of business.



RT 4040

A height-adjustable floorboard (activated by pushbutton) and multiple seat adjustments give each RT 4040 pallet truck operator a choice of positioning.

On both the stand-up and sit-down models, you can see how protecting the operator also promotes uptime, productivity and safety, while saving costs. Corners are rounded to avoid catch points and damage. Higher operator positioning provides better visibility for safer manoeuvring. In addition, the compact size and ergonomic compartment give operators a clearer view all around the truck.

Visit crown.com
See the RT 4000 Series in action.

Robust Component Protection



Engineered to withstand the extreme abuse pallet trucks can face around fast-paced, congested work areas, the RT 4000 Series features:

Reinforced 8-mm thick steel skirt

6-mm thick steel wrap-around sidewalls

No exposed plastic parts in external areas

Crown Reliability

The RT 4000 Series builds on a solid record of Crown engineering and design, incorporating outstanding core components proven in our order pickers and pallet trucks:



Crown motors are engineered and manufactured to run longer, cooler and more efficiently in the most demanding applications.

Reinforced, one-piece high tensile steel forks feature an adjustable pull-rod linkage, eliminating buckling forces and providing more protection over uneven surfaces and dock boards.



Controls are designed and tested for superb durability in tough applications.



Higher Performance, Safely.

Helping operators perform tasks faster, with skill and safety, summarises Crown design. The solid, reliable RT 4000 Series builds confidence. Performance also improves with easy, comfortable access and positioning for each operator. Intuitive controls deliver smooth, responsive operation. It's a design that encourages high performance, safely.

Ergonomics



The wraparound lean pad or the fold-down seat on the RT 4020 stand-up pallet truck improves productivity and comfort, giving operators flexibility and selectable positioning to operate controls and see around the load and truck during tight manoeuvres.

The seat of the RT 4040 sit-down pallet truck adjusts for control and comfort, including weight ranges between 50 and 120 kg and fore/aft travel up to 195 mm.



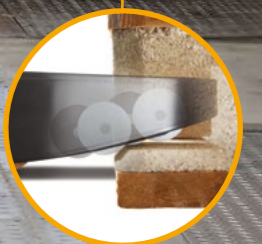
Crown Work Assist

Optional Work Assist™ accessories further improve productivity and performance. Choose from beverage holders, clipboards, storage pockets and more.



RT 4020

Standard pallet entry and exit rollers let the load arms traverse pallet bottom boards whether the pallet is empty or full.



Performance depends on many factors. That's why the RT 4000 Series offers stand-up or sit-down trucks with manoeuvrability and visibility advantages, as well as high-performance features tailored to individual operator and workplace needs.



A Crown Equipment Brand

Choose your preferred battery solution.

The decision between lead-acid and lithium-ion batteries depends very much on your specific application, working shifts and break times, as well as your electrical and facility infrastructure. With the wide range of V-Force batteries and chargers, you will find the right technology solution for your operation.

Crown RT 4000 Series
Run with the best.



Crown Gabelstapler GmbH & Co. KG

Philipp-Hauck-Str. 12
85622 Feldkirchen, Germany

Tel +49(0)89-93002-0

Fax +49(0)89-93002-133

crown.com

Because Crown is continually improving its products, specifications are subject to change without notice.

Notice: Not all products and product features are available in all countries in which this literature is published.

Crown, the Crown logo, the colour beige, the Momentum symbol, ecologic, V-Force, Work Assist and ecologic are trademarks of Crown Equipment Corporation in the USA and other countries.

Copyright 2015-2025 Crown Equipment Corporation
RT 4000 BROCH GB 09/25, 10
Printed in Germany

ecologic™
Clean Environment. Smart Business.

Printed on elemental chlorine free and sustainably forested paper.