

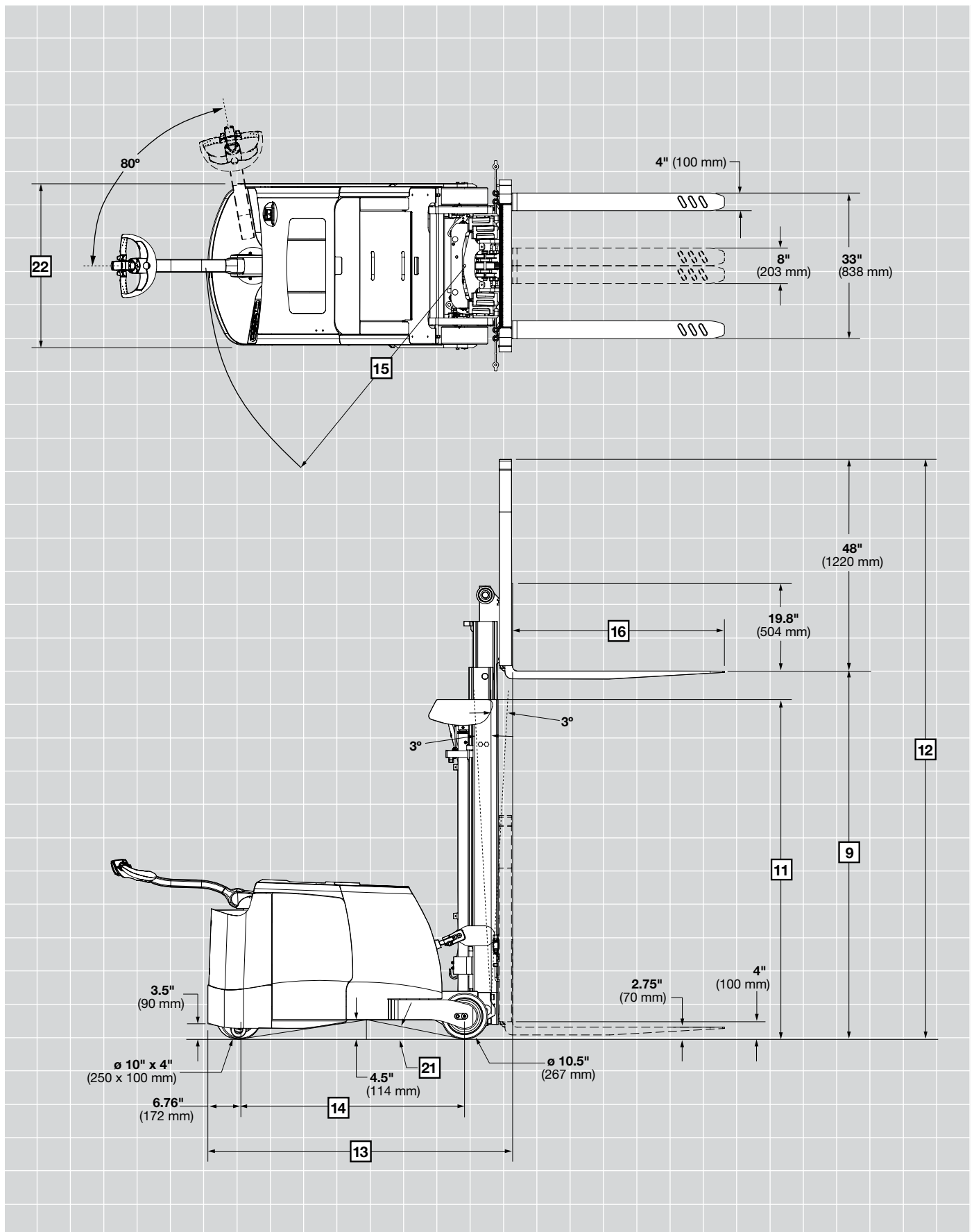
CROWN

SHC 5500 SERIES

Specifications

Heavy-Duty Walkie Stacker
Counterbalance





SHC 5500 Series

Specifications

			Imperial	Metric	Imperial	Metric	Imperial	Metric				
General Information	1	Manufacturer	Crown Equipment Corporation									
	2	Model	SHC 5540-25		SHC 5540-30		SHC 5540-40					
	3	Load Capacity	lb	kg	See Chart							
	4	Load Center	in		mm	24	600	24	600			
	5	Power	Electric		24 Volts							
	6	Operator Type	Walkie		Counterbalanced Stacker							
	7	Tyre Type	Load / Drive		Poly / Poly							
	8	Wheels (x = driven)	Load / Drive		2 / 1x							
Dimensions	9	Lift Height	in		mm	See Chart						
	13	Head Length*	TL - Limited Free Lift	in		mm	60.5	1535	67.2	1705	75.5	1920
			TF - Full Free Lift	in		mm	62.5	1590	69.1	1755	77.5	1970
			TT - Triple Telescopic	in		mm	61.7	1565	68.4	1735	76.7	1950
	14	Wheelbase	in		mm	44.8	1140	51.5	1310	59.6	1515	
	15	Turning Radius	in		mm	51.6	1315	58.2	1480	66.3	1685	
	16	Forks	Standard L x W x T	in		mm	36 x 4 x 1.5	915 x 102 x 38	36 x 4 x 1.5	915 x 102 x 38	36 x 4 x 1.75	915 x 102 x 44
Optional Lengths			in		mm	30, 39, 42, 45, 48	760, 990, 1060, 1145, 1220	30, 39, 42, 45, 48	760, 990, 1060, 1145, 1220	30, 39, 42, 45, 48	760, 990, 1060, 1145, 1220	
17	Right Angle Stacking Aisle Width	in		mm	See Chart							
Performance	18	Travel Speeds	Empty / Loaded		mph	km/h	3.0 / 3.0	4.8 / 4.8	3.0 / 3.0	4.8 / 4.8	3.0 / 3.0	4.8 / 4.8
	19	Lift Speeds	Empty / Loaded		fpm	m/s	61 / 26	.31 / .16	61 / 26	.31 / .16	61 / 26	.31 / .16
	20	Lowering Speeds	Empty / Loaded		fpm	m/s	50 / 50	.25 / .25	50 / 50	.25 / .25	50 / 50	.25 / .25
	21	Grade Clearance			%		31	31	31	31	29	29
	22	Overall Width	in		mm	37	940	37	940	39	990	
	23	Battery	Min Weight / Max Amp	lb		kg	975 / 660	445 / 660	975 / 660	445 / 660	975 / 660	445 / 660
Max Battery Size W x L x H			in		mm	13.12 x 31.10 x 24.8	333 x 790 x 630	13.12 x 31.10 x 24.8	333 x 790 x 630	13.12 x 31.10 x 24.8	333 x 790 x 630	
		Cable Lead Length / Connector Position	in		mm	20 / B	510 / B	20 / B	510 / B	20 / B	510 / B	

*Add 1.4" (36 mm) for Crown integrated sideshift

SHC 5500 Series

Specifications

Mast Type			TL – Limited Free Lift									
			Imperial		Metric		Imperial		Metric		Imperial	
Mast and Weight	9	Lift Height	in mm		114	2895	126	3200	138	3505	150	3810
	3	Load Capacity	SHC 5540-25*	lb kg	2500	1130	2500	1130	2500	1130	2500	1130
			SHC 5540-30	lb kg	3000	1360	3000	1360	3000	1360	3000	1360
			SHC 5540-40	lb kg	4000	1810	4000	1810	4000	1810	4000	1810
	10	Free Lift	with LBR**	in mm	6	150	6	150	6	150	6	150
			without LBR***	in mm	6	150	6	150	6	150	6	150
	11	Collapsed Height	in mm		77	1960	83	2110	89	2265	95	2415
	12	Extended Height	with LBR**	in mm	162	4115	174	4420	186	4725	198	5030
			without LBR***	in mm	137	3480	149	3785	161	4090	173	4395
	24	Truck Weight without Battery†	SHC 5540-25	lb kg	4680	2120	4720	2140	4760	2155	4810	2180
SHC 5540-30			lb kg	5315	2410	5355	2425	5395	2445	5445	2470	
SHC 5540-40			lb kg	6435	2915	6475	2935	6515	2955	6565	2975	

Mast Type			TL – Limited Free Lift				TF – Full Free Lift					
			Imperial		Metric		Imperial		Metric		Imperial	
Mast and Weight	9	Lift Height	in mm		160	4060	165	4190	117	2970	129	3275
	3	Load Capacity	SHC 5540-25*	lb kg	2500	1130	2500	1130	2500	1130	2500	1130
			SHC 5540-30	lb kg	3000	1360	3000	1360	3000	1360	3000	1360
			SHC 5540-40	lb kg	4000	1810	4000	1810	4000	1810	4000	1810
	10	Free Lift	with LBR**	in mm	6	150	6	150	29	735	35	885
			without LBR***	in mm	6	150	6	150	52	1320	57	1445
	11	Collapsed Height	in mm		100	2540	105	2670	77	1960	83	2110
	12	Extended Height	with LBR**	in mm	208	5285	213	5415	165	4195	177	4500
			without LBR***	in mm	183	4650	188	4780	142	3610	154	3915
	24	Truck Weight without Battery†	SHC 5540-25	lb kg	4840	2195	4860	2205	4770	2160	4770	2160
SHC 5540-30			lb kg	5475	2480	5495	2490	5355	2425	5405	2450	
SHC 5540-40			lb kg	6595	2990	6615	3000	6475	2935	6525	2960	

Mast Type			TF – Full Free Lift						TT – Triple Telescopic			
			Imperial		Metric		Imperial		Metric		Imperial	
Mast and Weight	9	Lift Height	in mm		141	3580	153	3885	163	4140	172	4365
	3	Load Capacity	SHC 5540-25*	lb kg	2500	1130	2500	1130	2500	1130	2500	1130
			SHC 5540-30	lb kg	3000	1360	3000	1360	3000	1360	3000	1360
			SHC 5540-40	lb kg	na	na	na	na	na	na	4000	1810
	10	Free Lift	with LBR**	in mm	40	1015	46	1165	51	1295	29	735
			without LBR***	in mm	63	1600	69	1750	74	1875	57	1445
	11	Collapsed Height	in mm		89	2265	95	2415	100	2540	77	1960
	12	Extended Height	with LBR**	in mm	189	4805	201	5110	211	5360	220	5590
			without LBR***	in mm	166	4220	178	4525	188	4780	192	4880
	24	Truck Weight without Battery†	SHC 5540-25	lb kg	4820	2185	4870	2205	4915	2230	5040	2285
SHC 5540-30			lb kg	5455	2475	5505	2495	5550	2515	5675	2575	
SHC 5540-40			lb kg	6575	2980	6625	3005	6670	3025	6795	3085	

* 300 lb (135 kg) derate above 120" (3045 mm) lift

** Includes 48" (1220 mm) highload backrest

*** Without 48" (1220 mm) highload backrest

† Add 100 lb (45 kg) for load backrest

Add 100 lb (45 kg) for sideshift

Right Angle Stack - Non-Intrusive

SHC 5540-25

Pallet Width		Pallet Length in (mm)				
		30 (762)	36 (915)	40 (1016)	42 (1067)	48 (1220)
36 915	in mm	103 2615	108 2745	112 2845	114 2895	120 3050
40 1016	in mm	104 2640	109 2770	113 2870	115 2920	120 3050
42 1067	in mm	104 2640	110 2795	113 2870	115 2920	121 3075
48 1220	in mm	106 2690	111 2820	115 2920	116 2945	122 3100

SHC 5540-30

Pallet Width		Pallet Length in (mm)				
		30 (762)	36 (915)	40 (1016)	42 (1067)	48 (1220)
36 915	in mm	110 2795	115 2920	119 3025	121 3075	126 3200
40 1016	in mm	110 2795	116 2945	120 3050	121 3075	127 3225
42 1067	in mm	111 2820	116 2945	120 3050	122 3100	127 3225
48 1220	in mm	112 2845	118 3000	121 3075	123 3125	128 3250

SHC 5540-40

Pallet Width		Pallet Length in (mm)				
		30 (762)	36 (915)	40 (1016)	42 (1067)	48 (1220)
36 915	in mm	118 3000	123 3125	127 3225	129 3275	135 3430
40 1016	in mm	119 3025	124 3150	128 3250	130 3300	135 3430
42 1067	in mm	119 3025	125 3175	128 3250	130 3300	136 3455
48 1220	in mm	121 3075	126 3200	130 3300	131 3325	137 3480

Add 1.4" (36 mm) for Crown integrated sideshift
 6" (150 mm) operating clearance included in all aisle dimensions

Capacity

Model SHC 5540-25:
2500 lb (1130 kg) at
24" (600 mm) load center

Model SHC 5540-30:
3000 lb (1360 kg) at
24" (600 mm) load center

Model SHC 5540-40:
4000 lb (1810 kg) at
24" (600 mm) load center

Maximum Battery Size

13.12" wide x 31.10" long x 24.8"
high (333 x 790 x 630 mm)
– up to 660 amp hours, 24 volts

Standard Equipment

- 24-volt electrical system
- Crown's Access 1 2 3™ Comprehensive System Control
- Access 1 2 3 display
 - Eight-character scrolling display, 5 button access
 - Three selectable performance levels
 - BDI with lift interrupt
 - Five hour meters
 - Event codes
 - Access 1 2 3 diagnostics with real time troubleshooting
 - PIN code capability
- AC traction and steer motors
- Performance enhancing features
 - X10™ Handle (tilt standard)
 - Brake override
 - Electronic power steering
 - Ramp hold and speed control
 - Power boost
 - High-visibility mast and carriage
 - Low profile power unit
 - Tool storage tray

- Poly high-capacity drive tyre – 10" dia. x 4" wide drive tyre (250 x 100 mm)
- Polyurethane load wheels
 - Model SHC 5540-25 and SHC 5540-30: 10.5" dia. x 4" wide (270 x 100 mm)
 - Model SHC 5540-40: 10.5" dia. x 5" wide (270 x 125 mm)
- InfoPoint™ System
- Steel power unit covers
- Emergency power disconnect
- Key switch
- Horn
- SB175 gray battery connector
- Reversing button
- Electric park brake
- Fork tip indicators
- Battery compartment rollers

Optional Equipment

- Keyless on-off switch
- Work Assist™ Accessories:
 - Clip pad
 - Hook
 - Pocket
 - Fan
 - Amber strobe light
 - Accessory clamp
 - Work Assist tube
- Sideshift with internal hosing 4" (100 mm) sideshift each direction – reduces capacity 300 lb (140 kg)
- Bottlers Tilt option, 3 degrees back / 10 degrees forward to 35" (885 mm) lift height
- Optional fork lengths (30", 39", 42", 45", 48", 54", 60") (760, 990, 1060, 1145, 1220, 1370, 1525 mm)
- Freezer Package (Continuous -29 °C / -20 °F)
- InfoLink™ Ready
- SBE 160 battery connector
- Load backrest 36" (915 mm) wide (36", 42", 48" [915, 1065, 1220 mm] height)

Operator Controls

Crown's robust X10 handle places all control buttons in the optimum position for ease of operation with either hand and to minimise hand and wrist movements. An ergo-nomic forward/reverse thumb wheel allows for precise manoeuvring. The control hand grips are urethane covered for insulation from cold and vibration with integrated horn buttons for easy activation. The handle contains a safety button which reverses the direction of the truck should the button touch the operator.

The physical efforts to hold the handle at a comfortable height was minimised to reduce fatigue.

A rabbit/turtle switch incorporates two levels of programmable travel performance so operators can select the setting that matches their experience level or application requirements.

Brake override feature allows slow speed travel with the handle near vertical. This feature improves manoeuvrability in tight areas.

Performance

The SHC 5500 Series incorporates the latest generation AC drive system enhanced with Access 1 2 3 technology. Crown's Access 1 2 3 technology continuously monitors truck systems and adjusts system parameters to deliver optimum performance and control. The Access Display provides a convenient interface for operators keeping them informed of any changes impacting truck performance and allowing them to choose from three performance profiles when enabled.

Programmable performance settings enable authorised personnel to tune the lift truck to different operator skill levels, or to meet specific application requirements. In addition, up to 25 PIN codes can be assigned to individual operators and matched to one of the pre-programmed performance profiles if desired.

Electronic power steering allows the operator to manoeuvre heavy loads in tight spaces throughout the day while minimising fatigue. Smooth travel and lift performance combine with excellent controls provided by the X10 handle to increase productivity.

The SHC 5500 Series features ramp hold and speed control to improve operation on small inclines or ramps. The ramp hold feature uses the motor to prevent truck movement when the brake is released and no travel command is present. The ramp speed control feature insures that actual travel speed matches requested travel speed. If the truck encounters an obstacle, a power boost feature delivers up to 15 percent more power than normally available for a full three seconds to overcome the obstruction.

Electrical System

A heavy-duty 24-volt fused electrical system utilises microprocessor controls for maximum energy efficiency, reduced maintenance and infinite speed control capability.

Access control modules for travel, lift and steer are sealed from dirt, dust and moisture for trouble-free operation. All contactors have been eliminated except for the main line contactor. A 175 amp battery connector with disconnect handle is standard.

Hydraulic System

Heavy-duty hydraulic motor (4.8 kw) is transistor controlled and matched with a gear type pump selected for optimum lift performance and low noise. Single-speed lift with programmable acceleration - deceleration and programmable two-speed lowering enables customisation to match operator preference or application requirements.

Cylinder rods are hard-plated chrome with polyurethane seals. Relief valve tuned to capacity protects all components in the hydraulic system. Reservoir incorporates an in-tank 10 micron return filter for removing debris from oil.

Drive Unit / Brake

Heavy-duty gearbox with helical spur input gear for quiet operation.

Regenerative motor braking is activated under a downhill condition, during plugging or when the directional control is returned to neutral. An electro-magnetic brake, spring applied and electrically released, is mounted on top of the drive motor. The electro-magnetic brake serves as the parking brake and applies when the control handle position moves from the operating zone to brake zone during truck operation.

Power Steering

Electronic power steering is provided by a heavy-duty AC motor that pivots the drive unit when steer tiller movement is detected.

Mast

Crown-manufactured three-stage mast assembly utilises a "flush-face" interlocked I-beam design to improve visibility and reduce truck length. Roller bearing studs are welded on both sides of the rails for maximum strength and roller bearings are canted to run in the thick cross section of the rail. High strength steel mast sections with sealed-for-life rollers are constructed for low mast deflection and high rigidity. The bars wrap around the rails for added strength and to resist off-center load forces.

"In-line" hose routing opens up visibility. Cylinders are placed behind the rails to create a high visibility design. The mast has four points of attachment to the truck for good load force distribution. Two mounting points are at the frame, where tilt cylinders attach. Tilt cylinders use spherical bushings to resist off-center load distortions. Two large diameter spherical bearings secure the mast to the drive units.

The Crown-manufactured mast offers quiet lift transition through staging while lifting and lowering. Anti-rattle devices reduce mast noise when traveling on uneven surfaces.

A range of mast types are available:

- TL offers maximum visibility through the mast by eliminating the inner free lift cylinder.
- TF offers widest visibility window with full free lift capability.
- TT offers maximum flexibility with full free lift capability.

Serviceability / Durability

The Access display simplifies service for technicians by providing advanced diagnostics without the need for separate handsets. The display allows the technician to view event service codes and truck hours when event occurred, perform system calibrations or functional tests of components, and make necessary adjustments. Crown's InfoPoint System compliments Access 1 2 3 diagnostics by providing a Quick Reference Guide, on-truck component maps and information nuggets to further simplify troubleshooting. All wiring is color coded.

Removable steel power unit doors are hinged for ease of opening providing excellent accessibility to the distribution panel and all other components. Steel covers provide added protection to critical internal components.

Removable steel battery covers and hinged cover allow easy access to the battery. Battery removal can be accomplished from either side. Battery compartment rollers are standard.

Removable steel frame extension top and front covers allow easy access to the hydraulic system and other components.

The X10 handle incorporates a vacuum die cast process using high-grade aluminum and benefits from structural webbing for maximum strength and durability.

Warning Device Options

Audible or Visual Alerts

Safety considerations and dangers associated with audible travel alarms and lights include:

- Multiple alarms and/or lights can cause confusion.
- Workers ignore the alarms and/or lights after day-in and day-out exposure.
- Operator may transfer the responsibility for "looking out" to the pedestrians.
- Annoys operators and pedestrians.

Other Options Available

Contact factory for additional options.

Dimensions and performance data given may vary due to manufacturing tolerances. Performance is based on an average size vehicle and is affected by weight, condition of truck, how it is equipped and the conditions of the operating area. Crown products and specifications are subject to change without notice.



Crown Equipment Corporation

New Bremen, Ohio 45869 USA

Tel 419-629-2311

Fax 419-629-3796

crown.com

Because Crown is continually improving its products, specifications are subject to change without notice.

Notice: Not all products and product features are available in all countries in which this literature is published.

Crown, the Crown logo, the color beige, the Momentum symbol, Access 1 2 3, InfoPoint, InfoLink, X10 Handle and Work Assist are trademarks of Crown Equipment Corporation in the United States and other countries.

Copyright 2019 Crown Equipment Corporation
SF20039-006 Rev. 11-19
Printed in U.S.A.