

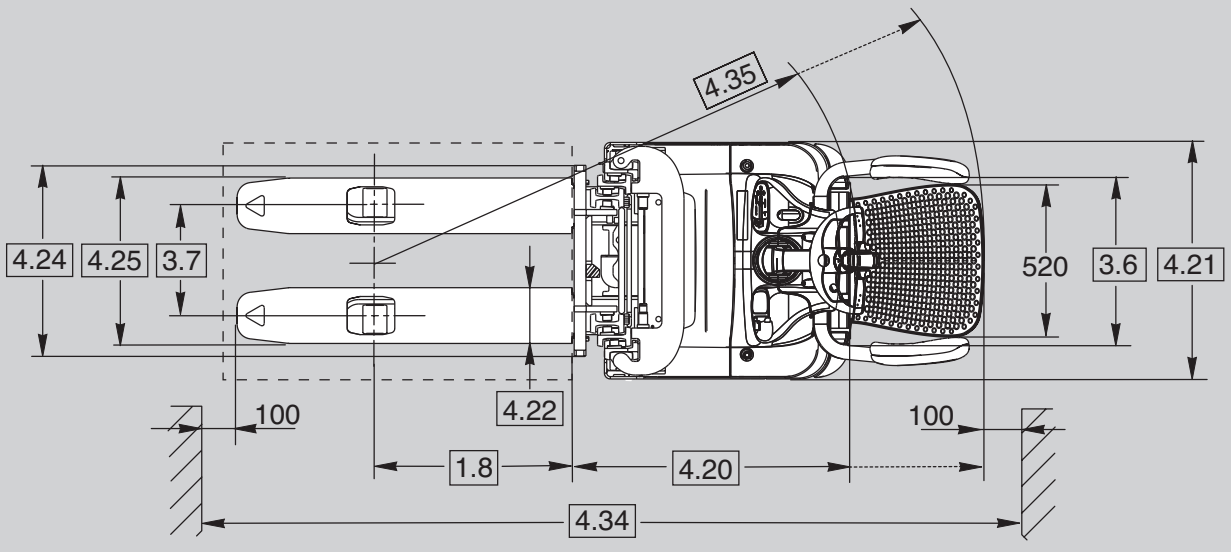
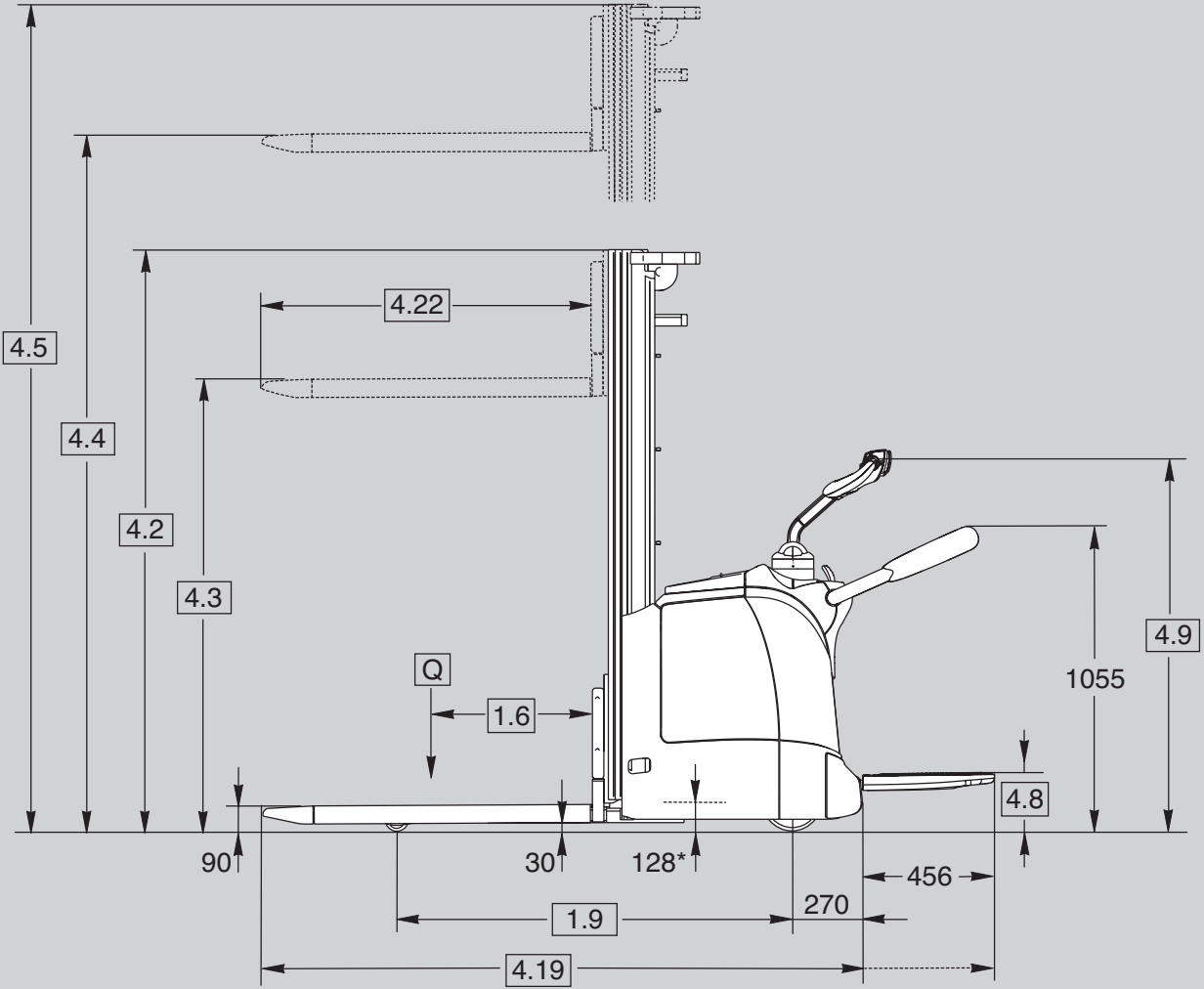
**CROWN**

# ET 4000 SERIES

## Specifications

Rider Stacker





\* battery rollout height

Distinguishing Mark	1.1	<b>Manufacturer</b>	Crown Equipment Corporation						
	1.2	<b>Model</b>			ET 4000 – 1.2	ET 4000 – 1.4	ET 4000 – 1.6		
	1.3	<b>Power Source</b>	electric						
	1.4	<b>Operator Type</b>	stand-on						
	1.5	<b>Rated Capacity</b>		Q	t	1.2	1.4	1.6	
	1.6	<b>Load Centre</b>		c	mm	600			
	1.8	<b>Load Distance <sup>1</sup></b>		x	mm	675	670	679	
	1.9	<b>Wheelbase <sup>1,2</sup></b>		y	mm	1239		1279	
	Weight	2.1	<b>Service Weight</b>			kg	see table 1	see table 2	see table 3
2.2		<b>Axle Load</b>	with load	front	kg	see table 1	see table 2	see table 3	
				rear	kg	see table 1	see table 2	see table 3	
2.3		<b>Axle Load</b>	without load	front	kg	see table 1	see table 2	see table 3	
	rear			kg	see table 1	see table 2	see table 3		
Tyres/Wheels/Chassis	3.1	<b>Tyres</b>	Vulkollan						
	3.2	<b>Tyre Size <sup>3</sup></b>	front		mm	Ø 230 x 70			
	3.3	<b>Tyre Size</b>	rear		mm	1x Ø 82 x 100	2x Ø 82 x 60		
	3.4	<b>Additional Wheels</b>	castor wheel		mm	2x Ø 125 x 54			
	3.5	<b>Wheels</b>	number front/rear (x=driven wheels)				1x + 2/2	1x + 2/4	
	3.6	<b>Tread <sup>4</sup></b>	front	b10	mm	542			
	3.7	<b>Tread</b>	rear	b11	mm	390	395		
Dimensions	4.2	<b>Mast</b>	collapsed height	h1	mm	see table 1	see table 2	see table 3	
	4.3	<b>Free-lift</b>		h2	mm	see table 1	see table 2	see table 3	
	4.4	<b>Lift Height</b>		h3	mm	see table 1	see table 2	see table 3	
	4.5	<b>Mast</b>	extended height	h4	mm	see table 1	see table 2	see table 3	
	4.8	<b>Operator Stand Height</b>		h7	mm	186			
	4.9	<b>Height Control Handle</b>	in driving position min./max.	h14	mm	1056 / 1359			
	4.10	<b>Outrigger</b>		h8	mm	84	82		
	4.15	<b>Fork Height</b>	lowered	h13	mm	90			
	4.19	<b>Overall Length <sup>2</sup></b>	platform up, TL / TF / TT	l1	mm	1965 / 1965 / 1983	1970 / 1970 / 1988	1995 / 1995 / 2019	
			platform down, TL / TF / TT	l1	mm	2421 / 2421 / 2439	2426 / 2426 / 2444	2451 / 2451 / 2475	
	4.20	<b>Head Length <sup>2</sup></b>	platform up, TL / TF / TT	l2	mm	815 / 815 / 833	820 / 820 / 838	845 / 845 / 869	
			platform down, TL / TF / TT	l2	mm	1271 / 1271 / 1289	1276 / 1276 / 1294	1301 / 1301 / 1325	
	4.21	<b>Overall Width</b>		b1	mm	800			
	4.22	<b>Fork Dimensions</b>	DIN ISO 2331	s/e/l	mm	60 x 186 x 1150	60 x 190 x 1150		
	4.24	<b>Fork Carriage Width</b>		b3	mm	650			
	4.25	<b>Fork Spread</b>		b5	mm	560	565		
	4.32	<b>Ground Clearance</b>	centre wheelbase	m2	mm	30			
4.34.1	<b>Aisle Width <sup>2,5</sup></b>	for pallets 1000x1200 crossways, platform up	Ast	mm	2499	2502	2537		
		for pallets 1000x1200 crossways, platform down	Ast	mm	2930	2933	2968		
4.34.2	<b>Aisle Width <sup>2,5</sup></b>	for pallets 800x1200 lengthways, platform up	Ast	mm	2394	2398	2431		
		for pallets 800x1200 lengthways, platform down	Ast	mm	2825	2829	2862		
4.35	<b>Turning Radius <sup>1,2</sup></b>	platform up	Wa	mm	1534	1534	1574		
		platform down	Wa	mm	1965	1965	2005		
Performance Data	5.1	<b>Travel Speed</b>	with / without load		km/h	8 / 9	7.7 / 9	7.5 / 9	
	5.1.1	<b>Travel Speed Backwards</b>	with / without load		km/h	8 / 9	7.7 / 9	7.5 / 9	
	5.2	<b>Lift Speed</b>	with / without load		m/s	0.16 / 0.24	0.14 / 0.24	0.12 / 0.24	
	5.3	<b>Lowering Speed</b>	with / without load		m/s	0.36 / 0.28			
	5.7	<b>Gradeability</b>	with / without load		%	10 / 16	9 / 16	8 / 16	
	5.8	<b>Max. Gradeability</b>	with / without load, 5 min. rating		%	10 / 16	9 / 16	8 / 16	
5.10	<b>Service Brake</b>				electric				
Electric Motor	6.1	<b>Traction Motor</b>	rating at S2 60 min. / H-class		kW	3.0			
	6.2	<b>Pump Motor</b>	rating at S3 9%		kW	3.0			
	6.3	<b>Battery</b>	according to DIN 43531/35/36 A, B, C, no				B		
			<b>Max. Battery Box Size <sup>6</sup></b>		lxwxh	mm	212 x 624 x 627 (284 x 624 x 627)		
	6.4	<b>Battery Voltage <sup>6</sup></b>	nominal capacity 5h rating		V/Ah	24 / 230-250 (315-375)			
6.5	<b>Battery Weight <sup>6</sup></b>	min. / max.		kg	201-252 (270-325)				
8.1	<b>Drive Unit</b>	drive			AC-transistor				
10.7	<b>Sound Pressure Level</b>	at the operator's seat			dB(A)	≤ 70			

<sup>1</sup> add 100 mm with electric steering

<sup>2</sup> add 72 mm for larger battery compartment

<sup>3</sup> Ø 250 x 75 mm with electric steering

<sup>4</sup> subtract 9 mm with electric steering

<sup>5</sup> add 24 mm with electric steering

<sup>6</sup> with optional larger battery compartment, use values in brackets

**Table 1 Mast Chart**

	1.2	Model			ET 4000 - 1.2															
		Mast Type			TL					TF					TT					
Weight	2.1	<b>Service Weight *</b>	less battery		kg	911	933	953	977	1003	921	942	962	985	1010	1043	1062	1075	1090	1170
	2.2	<b>Axle Load 250 Ah</b>	with load	front	kg	941	956	970	986	1004	947	962	976	992	1009	1013	1026	1035	1045	1057
				rear	kg	1382	1389	1395	1403	1411	1386	1392	1398	1405	1413	1442	1448	1452	1457	1462
	2.3	<b>Axle Load 250 Ah</b>	without load	front	kg	849	865	879	895	913	856	871	885	901	918	940	953	962	972	984
				rear	kg	274	280	286	294	302	277	283	289	296	304	315	321	325	330	335
	2.2	<b>Axle Load 375 Ah</b>	with load	front	kg	1005	1019	1033	1048	1065	1012	1025	1038	1053	1070	1074	1087	1095	1105	1116
rear				kg	1434	1442	1448	1457	1466	1437	1445	1452	1460	1468	1497	1504	1508	1513	1519	
2.3	<b>Axle Load 375 Ah</b>	without load	front	kg	919	933	946	962	979	926	939	952	967	984	1004	1017	1025	1035	1046	
			rear	kg	320	328	335	343	252	323	331	338	346	354	367	374	378	383	389	
Dimensions	4.2	<b>Mast</b>	collapsed height	h1	mm	1770	1980	2180	2420	2670	1770	1980	2180	2420	2670	1845	1980	2140	2220	2370
	4.3	<b>Free-lift **</b>		h2	mm	180					1290	1500	1690	1940	2190	1360	1500	1660	1735	1870
	4.4	<b>Lift Height</b>		h3+h13	mm	<b>2440</b>	<b>2860</b>	<b>3260</b>	<b>3740</b>	<b>4240</b>	<b>2540</b>	<b>2960</b>	<b>3360</b>	<b>3840</b>	<b>4340</b>	<b>4000</b>	<b>4440</b>	<b>4750</b>	<b>5000</b>	<b>5400</b>
	4.5	<b>Mast ***</b>	extended height	h4	mm	2920	3350	3750	4220	4720	3020	3450	3850	4320	4820	4480	4930	5240	5480	5880

**Table 2 Mast Chart**

	1.2	Model			ET 4000 - 1.4															
		Mast Type			TL					TF					TT					
Weight	2.1	<b>Service Weight *</b>	less battery		kg	930	953	975	1001	1029	940	963	984	1009	1036	1063	1083	1097	1131	1131
	2.2	<b>Axle Load 250 Ah</b>	with load	front	kg	957	973	988	1006	1025	964	980	994	1012	1030	1028	1042	1051	1062	1074
				rear	kg	1585	1592	1599	1607	1616	1588	1595	1602	1609	1618	1647	1654	1658	1663	1669
	2.3	<b>Axle Load 250 Ah</b>	without load	front	kg	856	872	887	905	925	863	879	894	911	930	948	962	971	982	994
				rear	kg	286	293	300	308	316	289	296	302	310	318	327	334	338	343	349
	2.2	<b>Axle Load 375 Ah</b>	with load	front	kg	1021	1036	1050	1067	1085	1027	1042	1056	1072	1090	1086	1100	1109	1120	1132
rear				kg	1637	1645	1653	1662	1672	1641	1649	1656	1665	1674	1705	1712	1716	1721	1727	
2.3	<b>Axle Load 375 Ah</b>	without load	front	kg	926	941	955	972	990	932	947	961	977	995	1010	1024	1033	1044	1056	
			rear	kg	332	340	348	357	367	336	344	351	360	369	381	388	392	397	403	
Dimensions	4.2	<b>Mast</b>	collapsed height	h1	mm	1770	1980	2180	2420	2670	1770	1980	2180	2420	2670	1845	1980	2140	2220	2370
	4.3	<b>Free-lift **</b>		h2	mm	180					1290	1500	1690	1940	2190	1360	1500	1660	1735	1870
	4.4	<b>Lift Height</b>		h3+h13	mm	<b>2440</b>	<b>2860</b>	<b>3260</b>	<b>3740</b>	<b>4240</b>	<b>2540</b>	<b>2960</b>	<b>3360</b>	<b>3840</b>	<b>4340</b>	<b>4000</b>	<b>4440</b>	<b>4750</b>	<b>5000</b>	<b>5400</b>
	4.5	<b>Mast ***</b>	extended height	h4	mm	2920	3350	3750	4220	4720	3020	3450	3850	4320	4820	4480	4930	5240	5480	5880

**Table 3 Mast Chart**

	1.2	Model			ET 4000 - 1.6															
		Mast Type			TL					TF					TT					
Weight	2.1	<b>Service Weight *</b>	less battery		kg	989	1019	1049	1079	1114	1005	1035	1062	1095	1130	1170	1196	1214	1235	1259
	2.2	<b>Axle Load 250 Ah</b>	with load	front	kg	1034	1055	1076	1097	1121	1045	1066	1085	1108	1132	1127	1146	1159	1174	1191
				rear	kg	1767	1776	1785	1794	1805	1772	1781	1789	1799	1810	1854	1862	1867	1873	1880
	2.3	<b>Axle Load 250 Ah</b>	without load	front	kg	905	926	947	968	993	916	937	956	979	1004	1028	1047	1060	1075	1092
				rear	kg	296	305	314	323	333	301	360	318	328	338	353	361	366	372	379
	2.2	<b>Axle Load 375 Ah</b>	with load	front	kg	1095	1115	1135	1155	1178	1105	1125	1143	1165	1188	1184	1202	1214	1228	1244
rear				kg	1822	1832	1842	1852	1864	1828	1838	1847	1858	1870	1913	1922	1928	1935	1943	
2.3	<b>Axle Load 375 Ah</b>	without load	front	kg	973	993	1013	1033	1056	983	1003	1021	1043	1066	1090	1108	1120	1134	1150	
			rear	kg	344	354	364	374	386	350	360	369	380	392	407	416	422	429	437	
Dimensions	4.2	<b>Mast</b>	collapsed height	h1	mm	1770	1980	2180	2420	2670	1770	1980	2180	2420	2670	1845	1980	2140	2220	2370
	4.3	<b>Free-lift **</b>		h2	mm	180					1290	1500	1690	1940	2190	1360	1500	1660	1735	1870
	4.4	<b>Lift Height</b>		h3+h13	mm	<b>2440</b>	<b>2860</b>	<b>3260</b>	<b>3740</b>	<b>4240</b>	<b>2540</b>	<b>2960</b>	<b>3360</b>	<b>3840</b>	<b>4340</b>	<b>4000</b>	<b>4440</b>	<b>4750</b>	<b>5000</b>	<b>5400</b>
	4.5	<b>Mast ***</b>	extended height	h4	mm	2920	3350	3750	4220	4720	3020	3450	3850	4320	4820	4480	4930	5240	5480	5880

\* add 40 kg for 375 Ah battery compartment

\*\* for TF and TT reduces free-lift by  
 750 mm with 1200 mm high load backrest  
 550 mm with 1000 mm high load backrest  
 350 mm with 800 mm high load backrest

\*\*\* increases extended height by  
 750 mm with 1200 mm high load backrest  
 550 mm with 1000 mm high load backrest  
 350 mm with 800 mm high load backrest

all data apply to mechanical steering only

**Standard Equipment**

- The X10® Control Handle places all truck functions at the operator's fingertips
- Proportional lifting/lowering provided by a low-noise hydraulic system
- e-GEN® Braking System offers regenerative and frictionless electric braking. Mechanical braking applies only as parking brake.
- Crown Access 1 2 3® Comprehensive System Control
  - LCD screen
  - Hour meter
  - Keyless start up with PIN code
  - Start up and run time diagnostics
  - Battery discharge indicator and lift interrupt
  - 3 selectable traction performance profiles
  - On-board diagnostics with real time trouble-shooting capabilities
- Crown maintenance-free 3-phase (AC) traction motor
- CAN-Bus technology
- Centre mounted tiller
- Electric power disconnect push button
- Ramp hold
- Vulkollan drive tyre, castor wheel(s) and load wheels
- Single load wheels (1.2 t and 1.4 t), tandem load wheels (1.6 t)
- Dual heavy duty caster wheels
- Heavy-duty chassis with 8 mm thick steel skirt
- Easily removable steel covers
- Hinged steel top battery cover for easy battery access
- Polycarbonate mast guard
- 250 Ah DIN battery compartment
- Battery connector DIN 160A Schaltbau
- Sealed electrical Deutsch connectors
- Folding platform
- FlexRide™ reduces vibrations and shocks to a minimum by combining
  - Soft floor mat with integrated presence sensor
  - Advanced platform suspension
  - Fully suspended drive unit
- Heavy-duty side restraints with soft side pads and lifetime guarantee

**Optional Equipment**

- Intelligent Electric Steering System
  - Selectable performance profiles for speed reduction in turns
  - Tactile feedback feature analyses operational conditions and adjusts steering force for optimised control
  - 3-phase (AC) steering motor
- 375 Ah battery compartment
- Battery rollout
- On-board charger (battery liftout only)
- Battery connector options
- Folding platform without side restraints (mechanical steering only)
- Rubber, Rubber siped and Supertrac drive tyre
- Tandem load wheels (1.2 t and 1.4 t)
- Fork length and spread options
- Fork weld marks for pallet positioning
- Load backrest options
- Key switch or key pad
- Freezer conditioning
- InfoLink® Ready
- Work Assist accessory tube
- Work Assist Accessories
  - Storage pockets
  - Scan gun holder
  - Medium and large clip pads
  - Beverage holder
- Metal mast grill
- Flashing beacon
- Travel alarm
- 12 V clean power supply
- 24 V power supply
- Special paint
- Lithium-Ion Battery Ready

**Electric System / Battery**

24 volt electrical system with nominal battery capacities from 250 Ah to 375 Ah is managed by Crown's Access 1 2 3 Comprehensive System Control. Virtually maintenance-free Crown AC traction motor provides strong acceleration and control at any speed. Sensors monitor functional parameters including steering, load weight, height, drive mode and speed and adjust operational settings automatically to suit conditions.

**Power Unit**

The rugged power unit features a reinforced 8 mm thick skirt to protect drive unit and castor components. Removable steel covers all around ensure internal components are protected against impacts yet easily accessible for service. On the inside, a Crown-built AC traction motor and a low-noise cast iron gearbox provide reliable power.

**Operator Area and Controls**

The ET 4000 Series incorporates numerous design features to improve operator comfort and productivity.

The folding FlexRide platform reduces shock transfer to the operator. The lifetime platform suspension never requires adjustment and features solid state induction switches to avoid reliability issues caused by contaminants.

Heavy-duty side restraints feature 50 mm heavy-wall steel tubing and rugged C-clamp mounting system. Soft polyurethane side pads are positioned for excellent support and comfort. The easy exit feature allows the restraints to swing up for faster access to the load.

The centre mounted X10 Control Handle, designed for simultaneous operation of all functions with one hand, improves side-stance operation for maximum visibility in both driving directions and positions the operator in a safe distance to the power unit even with the tiller turned 90° in pedestrian mode. An ergonomic forward/reverse rocker allows for precise manoeuvring. The hand grips are urethane covered for insulation from cold and vibration with integrated horn buttons for easy activation.

A rabbit/turtle switch incorporates two levels of programmable travel performance so operators can select the setting that matches their experience level or application requirements. Available electric steering improves manoeuvrability and responsiveness, even with heavy loads. Electric steering combined with speed reduction in turns, safely delivers top driving performance.

Proportional lift and lowering allows easy and precise positioning of loads. The fast responsiveness and speeds of the lifting and lowering functions are designed to ensure high efficiency in all applications and all this together at a low noise level.

**Access 1 2 3® Comprehensive System Control**

Crown's Access 1 2 3 technology provides optimum performance and control by offering a communications interface for the operator and service technician, intelligent coordination of lift truck systems and simplified service with advanced diagnostics.

The display includes a full featured on-board service tool allowing service technician to actively view inputs and outputs during truck operation. No laptop or service terminal is required. Event code history, including the last 16 events, is accessible through the display. The display provides a convenient interface for operators, keeping them informed (operational hours, BDI, operator messages, event codes) of any changes impacting truck performance and allowing them to choose from three performance profiles when enabled.

Performance tuning can be accessed at the display to customise truck performance for specific applications or operator requirements. In addition, up to 25 PIN codes can be assigned to individual operators and matched to one of the preprogrammed performance profiles, if desired.

**e-GEN® Braking System**

The power of the high-torque AC traction motor is used to stop the truck and keep it static until a travel input is requested, even when operating on a gradient. This system eliminates adjustments and wear points for a lifetime of maintenance-free use.

An automatic parking brake activates if the truck is stopped and the operator leaves the platform or power is disconnected.

**Safety Regulations**

Conforms to European safety standards. Dimensions and performance data given may vary due to manufacturing tolerances. Performance is based on an average size vehicle and is affected by weight, condition of truck, how it is equipped and the conditions of the operating area. Crown products and specifications are subject to change without notice.

