



www.doosanlift.com

7 Series Forklifts

Heavy Forklift 40,000 to 55,000 lb Series

Tier IV Final



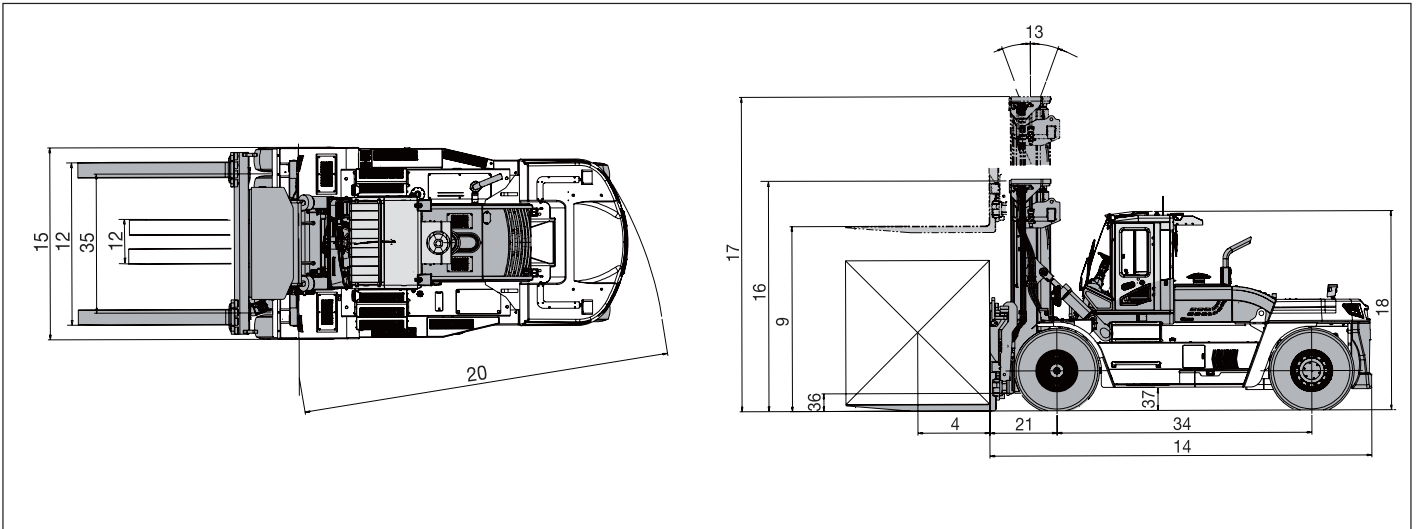
Lifting Your Dreams

GENERAL SPECIFICATION

CHARACTERISTICS					
2	Model			DV180S-7	DV250S-7
3	Capacity	at rated load center	lb(kg)	40,000(18,000)	55,000(25,000)
4	Load center	distance	in(mm)	48(1,200)	48(1,200)
5	Power type	electric, diesel, gasoline, lp-gas		Diesel	Diesel
6	Operator type	stand-on, rider-seated		Rider-seated	Rider-seated
7	Tire	c=cushion, p=pneumatic		p	p
8	Wheels(x=driven)	number, front/rear		x4/2	x4/2
DIMENSIONS					
9	Lift with STD	maximum fork height	in(mm)	137.8(3,500)	157.5(4,000)
10	two-stage mast	free lift	in(mm)	0	0
11	Forks	thickness x width x length	in(mm)	3.94x9.84x94.49(100x250x2,400)	4.33x9.84x94.49(110x250x2,400)
12		forkspacing (minimum x maximum)	in(mm)	27.95x94.25(710x2,394)	31.50x102.36(800x2,600)
13	Tilt of mast	forward/backward	deg	10/9	12/10
14	Overall dimensions	length to fork face	in(mm)	220.3(5,595)	250(6,350)
15		width	in(mm)	100(2,540)	120.1(3,050)
16		mast lowered height	in(mm)	137.2(3,485)	151.6(3,850)
17		mast extended height	in(mm)	204.9(5,205)	228.7(5,810)
18		cab Height	in(mm)	115.4(2,930)	130.3(3,310)
19		seat height	in(mm)	70.9(1,800)	84.6(2,150)
20	Minimum outside turning radius		in(mm)	201.6(5,120)	234.3(5,950)
21	Load moment constant		in(mm)	39.4(1,000)	44.1(1,120)
22	90°stacking aisle	2400x2400	in(mm)	343.3(8,720)	380.7(9,670)
	90°intersecting aisle		in(mm)	184.6(4,690)	215.0(5,460)
PERFORMANCE					
23	Speed	travel, loaded/unloaded	mph(km/h)	24.2/26.1(39/42)	23.0/24.9(37/40)
24		lift, loaded/unloaded	fpm(mm/s)	74.8/80.7(380/410)	61.0/66.9(310/340)
25		lowering, loaded/unloaded	fpm(mm/s)	78.7/68.9(400/350)	78.7/68.9(400/350)
26	Drawbar pull	at 1.6km/h, loaded	lb(kg)	32,298(14,650)	50,063(22,708)
27	Gradeability	at 1.6km/h, loaded	%	35.6	36.0
WEIGHT					
28	Total weight	unloaded	lb(kg)	58,202(26,400)	84,878(38,500)
29	Axle load	with loaded, front/rear	lb(kg)	90,853/7,033(41,210/3,190)	127,641/12,353(57,897/5,603)
30		without loaded, front/rear	lb(kg)	27,888/30,314(12,650/13,750)	42,439/42,439(19,250/19,250)
CHASSIS					
31	Tires	number of front/rear		4/2	4/2
32		size, front single		12.00 R20	14.00-24"-28PR
33		size, rear		12.00 R20	14.00-24"-28PR
34	Wheel base		in(mm)	147.6(3,750)	167.3(4,250)
35	Tread	front/rear	in(mm)	73.1/77.8(1,858/1,976)	86.6/84.3(2,200/2,140)
36	Ground clearance	loaded, at the lowest point	in(mm)	8.3(210)	11.4(290)
37		loaded, at center of wheelbase	in(mm)	12.8(325)	15.0(380)
38	Brake	service		Disc	Disc
39		parking		Mechanical	Mechanical
DRIVE					
40	Battery	voltage/ampere-hour	V/AH	24(12x2) / 150	
41		manufacturer/model		Doosan / DL08P	
42	Engine	rated output (DIN)	hp(ps)/rpm	246.5(250)/2,100	285.9(290)/2,100
			kw/rpm	183.7/2,100	213.3/2,100
		max. torque	lb-ft/rpm	853/1,300	911/1,300
			kg-m/rpm	118/1,300	126/1,300
44		cycle/cylinders/displacement	cc	4/6/7,640	
45		Fuel Tank	l	300	400
46		DEF(AdBlue)	l	30	30
47		manufacturer/model		ZF / 4WG211	ZF / 4WG211
48		Transmission Type		Full Autoshift	Full Autoshift
49		No. of speeds forward/reverse		4/3	4/3
50	Driveaxle			Kessler D81	Kessler D91
51	Operating pressure	system/attachment	psi(bar)	3,408/2,683(235/185)	3,336/3,191(230/220)

Note : Specification values quoted in this specification sheet has been rounded. Performance may vary due to operation conditions. Products and specifications are subject to improvement and change without prior notices.

DIMENSIONAL DRAWING



MAST SPECIFICATIONS and RATED CAPACITIES

DV180/250S-7

Model	Mast Type	Max. Fork Height		Mast Lowered Height		Extended Height		Free Lift		Rated Load Capacities			
						w/ Load Backrest		w/ Load Backrest		Tilt Angle		LC 1200mm	LC 48in
		mm	in	mm	in	mm	in	mm	in	Fwd deg	Bwd deg		
DV180S-7	STD	3000	118	3235	127	4705	185	0	0	10	10	18000	40000
		3500	138	3485	137	5205	205	0	0	10	10	18000	40000
		4500	177	3985	157	6205	244	0	0	10	10	18000	40000
		5000	197	4235	167	6705	264	0	0	10	10	18000	39500
	FFT	4500	138	2930	115	5920	233	1550	61	10	10	17000	37500
		5000	157	3100	122	6430	253	1720	68	10	10	17000	37500
DV250S-7	STD	4000	157	3600	142	5310	209	0	0	12	10	25000	55000
		4500	177	3850	152	5810	229	0	0	12	10	25000	55000
		5000	197	4350	171	6810	268	0	0	12	10	25000	55000
		6000	236	4650	183	7410	292	0	0	12	10	25000	54600

Note : Mast Specifications & Rated Capacities are based on standard chassis with dual pneumatic tire and without side shifter.



www.doosanlift.com

Doosan Industrial Vehicle America Corp.
2475 Mill Center Parkway Suite 400
Buford, GA 30518 US
T: 678-745-2200
F: 678-745-2250

PSCT4DV250-V1

AUTHORIZED DEALER