

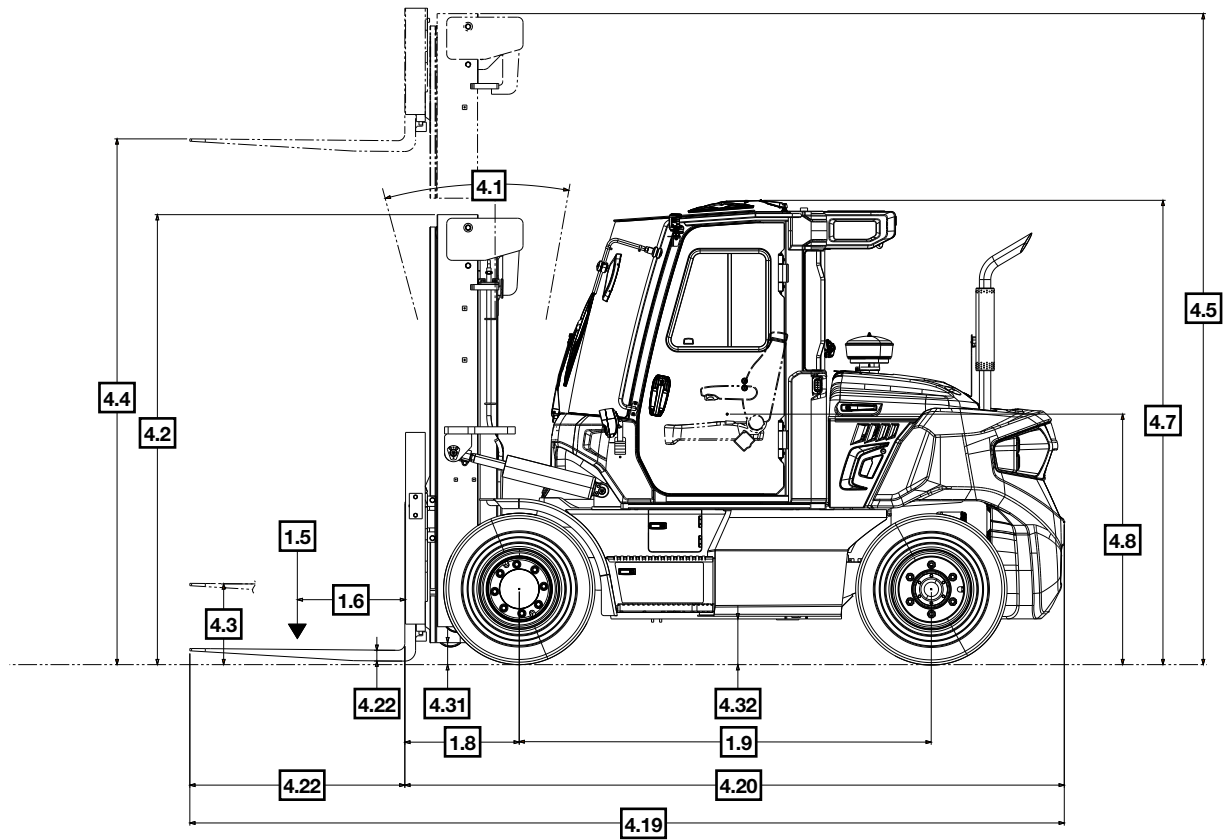
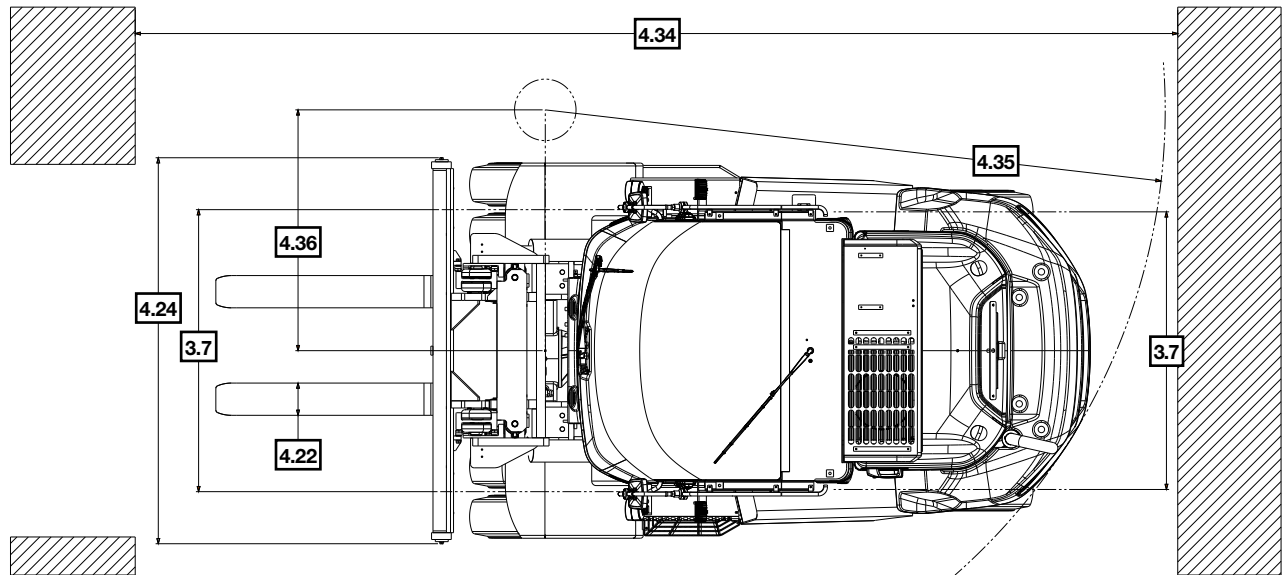
**CROWN**

# C-D

**13,500-20,000 lb. Capacity**  
IC Pneumatic Tire

## Specifications





**C-D Series**

**Specifications**

|                  |  |   |                                   | CD60S-9            | CD70S-9   | CD80S-9                         | CD90S-9                            |                                 |
|------------------|--|---|-----------------------------------|--------------------|---|---------------------------------|------------------------------------|---------------------------------|
| Characteristics  | 1.2                                      | <b>Model</b>                                      |                                   | CD60S-9            | CD70S-9   | CD80S-9                         | CD90S-9                            |                                 |
|                  | 1.3                                      | <b>Power</b>                                      | Diesel, Gasoline, LPG             | Diesel             |   |                                 |                                    |                                 |
|                  | 1.4                                      | <b>Operator Type</b>                              |                                   | Seated             |   |                                 |                                    |                                 |
|                  | 1.5                                      | <b>Load Capacity</b>                              | lb (kg)                           | 13500 (6000)       | 15500 (7000)  | 17500 (8000)                    | 20000 (9000)                       |                                 |
|                  | 1.6                                      | <b>Load Center</b>                                | Fork Face to Load CG              | in (mm)            | 23.6 (600)  |                                 |                                    |                                 |
| Weight           | 1.8                                      | <b>Load Distance: Center of Driveaxle to fork</b> | Center of Wheel to Fork Face      | in (mm)            | 24.9 (632)  |                                 | 28.5 (725)                         |                                 |
|                  | 1.9                                      | <b>Wheelbase</b>                                  |                                   | in (mm)            | 90.6 (2300)   |                                 | 98.4 (2500)                        |                                 |
|                  | 2.1                                      | <b>Service Weight</b>                             | with min. battery wt.             | lb (kg)            | 20800.6 (9435)                                      | 22266.7 (10100)                 | 24978.4 (11330)                    | 26411.4 (11980)                 |
|                  | 2.2                                      | <b>Axle Loading, Laden Front/Rear</b>             | Less Battery                      | lb (kg)            | 29828.5 (13530) / 4343.1 (1970)                     | 32970.1 (14955) / 4872.2 (2210) | 37842.4 (17165) / 4916.3 (2230)    | 41061.1 (18625) / 5335.2 (2420) |
|                  | 2.3                                      | <b>Axle Loading, Unladen Front/Rear</b>           | Front / Rear                      | lb (kg)            | 9446.8 (4285) / 11353.8 (5150)                      | 9204.3 (4175) / 13062.4 (5925)  | 10802.7 (4900) / 14175.7 (6430)    | 10626.3 (4820) / 15785.1 (7160) |
| Types            | 3.1                                      | <b>Tire Type</b>                                  | Pneumatic, Super Elastic, Cushion | Pneumatic          |   |                                 |                                    |                                 |
|                  | 3.2                                      | <b>Tire Size</b>                                  | Front OD x Width x Rim Dia.       | 8.25x15-14PR       |   | 9.00 x 20-14PR                  |                                    |                                 |
|                  | 3.3                                      |   | Rear OD x Width x Rim Dia.        |                    |   |                                 |                                    |                                 |
|                  | 3.5                                      | <b>Wheels</b>                                     | Number Front / Rear               | x = driven         | x4 / 2  |                                 |                                    |                                 |
|                  | 3.6                                      | <b>Track Width</b>                                | Front                             | in (mm)            | 62.4 (1584)   |                                 | 65.7 (1668)                        |                                 |
| Dimensions       | 3.7                                      |   | Rear                              | in (mm)            | 61.0 (1550)   |                                 | 68.9 (1750)                        |                                 |
|                  | 4.1                                      | <b>Mast Tilt</b>                                  | Forward / Backward                | deg                |   |                                 |                                    |                                 |
|                  | 4.2                                      | <b>Height, Mast Lowered</b>                       |                                   | in (mm)            |   |                                 |                                    |                                 |
|                  | 4.3                                      | <b>Free Lift</b>                                  |                                   | in (mm)            | See Mast Chart                                      |                                 |                                    |                                 |
|                  | 4.4                                      | <b>Lift</b>                                       |                                   | in (mm)            |   |                                 |                                    |                                 |
|                  | 4.5                                      | <b>Height, Mast Extended</b>                      |                                   | in (mm)            |   |                                 |                                    |                                 |
|                  | 4.7                                      | <b>Height of Overhead Guard/Cabin</b>             |                                   | in (mm)            | 97.2 (2468) / 99.8 (2535)                           |                                 | 105.2 (2673) / 109.1 (2771)        |                                 |
|                  | 4.8                                      | <b>Seat Height</b>                                |                                   | in (mm)            | 57.3 (1455)   |                                 | 60.1 (1526)                        |                                 |
|                  | 4.19                                     | <b>Overall Length</b>                             |                                   | in (mm)            | 189.7 (4818)  | 192.8 (4897)                    | 205.3 (5214)                       | 206.3 (5240)                    |
|                  | 4.20                                     | <b>Head Length</b>                                | Length to Fork Face               | in (mm)            | 142.4 (3618)  | 145.6 (3697)                    | 158.0 (4014)                       | 159.1 (4040)                    |
|                  | 4.21                                     | <b>Overall Width</b>                              |                                   | in (mm)            | 84.9 (2156)   |                                 | 87.8 (2230)                        |                                 |
|                  | 4.22                                     | <b>Fork Dimensions</b>                            | T x W x L                         | in (mm)            | 2.4x7.1x47.2 (60x180x1200)                          |                                 | 2.8 x 7.1 x 47.2 (70 x 180 x 1200) |                                 |
|                  | 4.23                                     | <b>Fork Carriage ISO 2328</b>                     | Class / Type A,B                  |                    | 4 / B   |                                 | 5 / B                              |                                 |
|                  | 4.24                                     | <b>Fork Carriage Width</b>                        |                                   | in (mm)            | 84.9 (2156)   |                                 | 87.2 (2216)                        |                                 |
|                  | 4.31                                     | <b>Ground Clearance</b>                           | Loaded, Lowest Point              | in (mm)            | 7.7 (196)   |                                 | 11.1 (283)                         |                                 |
|                  | 4.32                                     |   | Center of Wheelbase               | in (mm)            | 8.4 (214)   |                                 | 13.0 (329)                         |                                 |
|                  | 4.34.1                                   | <b>Working Aisle Width</b>                        | Pallets 1000 x 1200 Traverse      | in (mm)            | 206.8 (5252)  | 208.4 (5293)                    | 219.5 (5575)                       | 223.8 (5685)                    |
|                  | 4.34.2                                   |   | Pallets 800 x 1200 Length         | in (mm)            | 213.6 (5452)  | 216.3 (5493)                    | 277.4 (5775)                       | 231.7 (5885)                    |
|                  | 4.35                                     | <b>Turning Radius</b>                             |                                   | in (mm)            | 133.1 (3380)  | 135.0 (3430)                    | 143.7 (3650)                       | 144.9 (3680)                    |
|                  | 4.36                                     | <b>Internal Turning Radius</b>                    |                                   | in (mm)            | 52.9 (1344)   |                                 | 57.8 (1468)                        |                                 |
| Performance Data | 5.1                                      | <b>Travel Speed</b>                               | Loaded / Empty                    | mph (km/h)         | 19.1 (30.8) / 21.3 (34.3)                           | 18.8 (30.2) / 21.3 (34.2)       | 18.6 (30) / 21.8 (35)              |                                 |
|                  | 5.2                                      | <b>Lift Speed</b>                                 | Loaded / Empty                    | fpm (m/s)          | 98.4 (0.50) / 106.3 (0.54)                          | 86.6 (0.44) / 94.5 (0.48)       | 84.7 (0.43) / 94.5 (0.48)          |                                 |
|                  | 5.3                                      | <b>Lowering Speed</b>                             | Loaded / Empty                    | fpm (m/s)          | 98.4 (0.5) / 88.6 (0.45)                            |                                 |                                    |                                 |
|                  | 5.5                                      | <b>Drawbar Pull</b>                               | Loaded / Empty (1.6km/h)          | lb (N)             | 13690.9 (60900)                                     | 13583.0 (60420)                 | 14421.5 (64150)                    | 12771.4 (56810)                 |
|                  | 5.6                                      | <b>Max. Drawbar Pull</b>                          | Loaded / Empty                    | lb (N)             | 17478.9 (77750)                                     | 17368.7 (77260)                 | 16226.7 (72180)                    | 16157.0 (71870)                 |
|                  | 5.7                                      | <b>Gradeability</b>                               | Loaded / Empty (1.6km/h)          | %                  | 45 / 89   | 39 / 75                         | 35 / 57                            | 28 / 55                         |
|                  | 5.8                                      | <b>Max. Gradeability</b>                          | Loaded / Empty                    | %                  | 61 / 100  | 52 / 100                        | 40 / 78                            | 37 / 75                         |
|                  | 5.10                                     | <b>Brakes</b>                                     | Service                           | Type               | Foot / Hyd  |                                 |                                    |                                 |
| Engine           |  |   | Parking                           | Type               | Electronic  |                                 |                                    |                                 |
|                  | 7.1                                      | <b>Manufacturer / Model (Emission Standard)</b>   |                                   |                    | DI / DM03VA (Stage 5)<br>DI / DM03PA (Tier 4 Final) |                                 |                                    |                                 |
|                  | 7.2                                      | <b>Engine Power</b>                               | DIN ISO1585                       | hp (kW)            | 108.5 (80.9)  |                                 |                                    |                                 |
|                  | 7.3                                      | <b>Rated Speed</b>                                | RPM                               | min-1              | 2300  |                                 |                                    |                                 |
|                  | 7.3.1                                    | <b>Torque at 1/min</b>                            |                                   | ft-lbs (N-m @ rpm) | 339.3 (460 @ 1400)                                  |                                 |                                    |                                 |
|                  | 7.4                                      | <b>Number of Cylinders / Displacement</b>         |                                   | -cc (-/cm3)        | 4 / 3409  |                                 |                                    |                                 |
|                  | 7.5                                      | <b>Fuel Consumption according to EN Mode</b>      |                                   | gal/h (l/h)        | 1.32 (5.0)  |                                 | 1.74 (6)                           |                                 |
| 7.10             | <b>Battery Voltage / normal capacity</b> | Voltage / Ampere hour                             | V/Ah                              | 24 / 100           |   |                                 |                                    |                                 |
| Addition         | 10.1                                     | <b>Operating Pressure for attachments</b>         |                                   | psi (bar)          | 2030.5 (140)  |                                 |                                    |                                 |
|                  | 10.2                                     | <b>Oil Volume for attachments</b>                 |                                   | gpm (l/min)        | 25.1 (95)   |                                 | 35.7 (135)                         |                                 |
|                  | 10.4                                     | <b>Fuel Tank Capacity</b>                         |                                   | gal (l)            | 42.3 (160)  |                                 | 67.4 (255)                         |                                 |
|                  | 10.7                                     | <b>Sound Level at Driver's Ear</b>                | EN 12053                          | dB (A)             | 74  |                                 |                                    |                                 |

Note: Specification values quoted in this specification sheet have been rounded. Performance may vary due to operation conditions. Products and specifications are subject to improvement and change without prior notices.

# C-D Series

# Specifications

## Mast Chart CD 60S-9

| Shaft Type Carriage (without S/S, Without F/M) |                     |     |                        |     |                       |     |                    |     | Rated Load Capacities |     |                 |        |
|--|---------------------|-----|------------------------|-----|-----------------------|-----|--------------------|-----|-----------------------|-----|-----------------|--------|
| Mast Type                                      | Maximum Fork Height |     | Maximum Lowered Height |     | Fully Extended Height |     | Free Lift          |     | Tilt Angle            |     | Load Capacities |        |
|  |                     |     |                        |     | With Load Backrest    |     | With Load Backrest |     | FWD                   | BWD | LC600mm         | LC24in |
|  | mm                  | in  | mm                     | in  | mm                    | in  | mm                 | in  | deg                   | deg | kg              | lb     |
| TL   | 2800                | 110 | 2395                   | 94  | 4075                  | 160 | 205                | 8   | 15°                   | 10° | 6000            | 13500  |
|  | 3000                | 118 | 2495                   | 98  | 4275                  | 168 | 205                | 8   | 15°                   | 10° | 6000            | 13500  |
|  | 3500                | 138 | 2745                   | 108 | 4775                  | 188 | 205                | 8   | 15°                   | 10° | 6000            | 13500  |
|  | 3700                | 146 | 2845                   | 112 | 4975                  | 196 | 205                | 8   | 15°                   | 10° | 6000            | 13500  |
|  | 4000                | 157 | 2995                   | 118 | 5275                  | 208 | 205                | 8   | 15°                   | 10° | 6000            | 13500  |
|  | 4500                | 177 | 3345                   | 132 | 5775                  | 227 | 205                | 8   | 15°                   | 10° | 6000            | 13500  |
|  | 5000                | 197 | 3595                   | 142 | 6275                  | 247 | 205                | 8   | 15°                   | 10° | 6000            | 13500  |
|  | 5500                | 217 | 3845                   | 151 | 6775                  | 267 | 205                | 8   | 15°                   | 10° | 5900            | 13000  |
|  | 6000                | 236 | 4095                   | 161 | 7275                  | 286 | 205                | 8   | 15°                   | 10° | 5750            | 12700  |
|  | 6500                | 256 | 4445                   | 175 | 7775                  | 306 | 205                | 8   | 15°                   | 10° | 5500            | 12150  |
| TT   | 4250                | 167 | 2440                   | 96  | 5270                  | 207 | 1480               | 58  | 15°                   | 10° | 6000            | 13500  |
|  | 4550                | 179 | 2540                   | 100 | 5570                  | 219 | 1580               | 62  | 15°                   | 10° | 6000            | 13500  |
|  | 5000                | 197 | 2690                   | 106 | 6020                  | 237 | 1730               | 68  | 15°                   | 10° | 5800            | 12800  |
|  | 5600                | 220 | 2890                   | 114 | 6620                  | 261 | 1930               | 76  | 15°                   | 10° | 5500            | 12150  |
|  | 6050                | 238 | 3040                   | 120 | 7070                  | 278 | 2080               | 82  | 15°                   | 10° | 5300            | 11700  |
|  | 6500                | 256 | 3240                   | 126 | 7520                  | 296 | 2280               | 88  | 15°                   | 10° | 5150            | 11350  |
|  | 6800                | 268 | 3340                   | 131 | 7820                  | 308 | 2380               | 94  | 15°                   | 10° | 5050            | 11150  |
|  | 7275                | 286 | 3500                   | 138 | 8295                  | 327 | 2540               | 100 | 15°                   | 10° | 4850            | 10700  |

## Mast Chart CD 70S-9

| Shaft Type Carriage (without S/S, Without F/M) |                     |     |                        |     |                       |     |                    |     | Rated Load Capacities |     |                 |        |
|--|---------------------|-----|------------------------|-----|-----------------------|-----|--------------------|-----|-----------------------|-----|-----------------|--------|
| Mast Type                                      | Maximum Fork Height |     | Maximum Lowered Height |     | Fully Extended Height |     | Free Lift          |     | Tilt Angle            |     | Load Capacities |        |
|  |                     |     |                        |     | With Load Backrest    |     | With Load Backrest |     | FWD                   | BWD | LC600mm         | LC24in |
|  | mm                  | in  | mm                     | in  | mm                    | in  | mm                 | in  | deg                   | deg | kg              | lb     |
| TL   | 2800                | 110 | 2395                   | 94  | 4075                  | 160 | 205                | 8   | 15°                   | 10° | 7000            | 15500  |
|  | 3000                | 118 | 2495                   | 98  | 4275                  | 168 | 205                | 8   | 15°                   | 10° | 7000            | 15500  |
|  | 3500                | 138 | 2745                   | 108 | 4775                  | 188 | 205                | 8   | 15°                   | 10° | 7000            | 15500  |
|  | 3700                | 146 | 2845                   | 112 | 4975                  | 196 | 205                | 8   | 15°                   | 10° | 7000            | 15500  |
|  | 4000                | 157 | 2995                   | 118 | 5275                  | 208 | 205                | 8   | 15°                   | 10° | 7000            | 15500  |
|  | 4250                | 167 | 3120                   | 123 | 5525                  | 218 | 205                | 8   | 15°                   | 10° | 7000            | 15500  |
|  | 4500                | 177 | 3345                   | 132 | 5775                  | 227 | 205                | 8   | 15°                   | 10° | 7000            | 15500  |
|  | 5000                | 197 | 3595                   | 142 | 6275                  | 247 | 205                | 8   | 15°                   | 10° | 7000            | 15500  |
|  | 5335                | 210 | 3845                   | 151 | 6610                  | 260 | 205                | 8   | 15°                   | 10° | 7000            | 15500  |
|  | 5500                | 217 | 3845                   | 151 | 6775                  | 267 | 205                | 8   | 15°                   | 10° | 7000            | 15500  |
|  | 6000                | 236 | 4095                   | 161 | 7275                  | 286 | 205                | 8   | 15°                   | 10° | 6850            | 15100  |
|  | 6500                | 256 | 4445                   | 175 | 7775                  | 306 | 205                | 8   | 15°                   | 10° | 6600            | 14550  |
| TT   | 4250                | 167 | 2440                   | 96  | 5270                  | 207 | 1480               | 58  | 15°                   | 10° | 7000            | 15500  |
|  | 4550                | 179 | 2540                   | 100 | 5570                  | 219 | 1580               | 62  | 15°                   | 10° | 7000            | 15500  |
|  | 5000                | 197 | 2690                   | 106 | 6020                  | 237 | 1730               | 68  | 15°                   | 10° | 6900            | 15200  |
|  | 5600                | 220 | 2890                   | 114 | 6620                  | 261 | 1930               | 76  | 15°                   | 10° | 6650            | 14650  |
|  | 6050                | 238 | 3040                   | 120 | 7070                  | 278 | 2080               | 82  | 15°                   | 10° | 6450            | 14200  |
|  | 6500                | 256 | 3240                   | 128 | 7520                  | 296 | 2280               | 90  | 15°                   | 10° | 6200            | 13650  |
|  | 6800                | 268 | 3340                   | 131 | 7820                  | 308 | 2380               | 94  | 15°                   | 10° | 6100            | 13450  |
|  | 7275                | 286 | 3500                   | 138 | 8295                  | 327 | 2540               | 100 | 15°                   | 10° | 5300            | 11700  |

# C-D Series

# Specifications

**Mast Chart CD 80S-9**

| Shaft Type Carriage (without S/S, Without F/M) |                     |      |                        |      |                       |     |                    |     | Rated Load Capacities |      |                 |        |
|--|---------------------|------|------------------------|------|-----------------------|-----|--------------------|-----|-----------------------|------|-----------------|--------|
| Mast Type                                      | Maximum Fork Height |      | Maximum Lowered Height |      | Fully Extended Height |     | Free Lift          |     | Tilt Angle            |      | Load Capacities |        |
|  |                     |      |                        |      | With Load Backrest    |     | With Load Backrest |     | FWD                   | BWD  | LC600mm         | LC24in |
|  | mm                  | in   | mm                     | in   | mm                    | in  | mm                 | in  | deg                   | deg  | kg              | lb     |
| TL   | 3100                | 122  | 2835                   | 112  | 4375                  | 172 | 215                | 8   | 15°                   | 10°  | 8000            | 17500  |
|  | 3300                | 130  | 2935                   | 116  | 4575                  | 180 | 215                | 8   | 15°                   | 10°  | 8000            | 17500  |
|  | 3600                | 142  | 3085                   | 121  | 4875                  | 192 | 215                | 8   | 15°                   | 10°  | 8000            | 17500  |
|  | 4100                | 161  | 3435                   | 135  | 5375                  | 212 | 215                | 8   | 15°                   | 10°  | 8000            | 17500  |
|  | 4600                | 181  | 3685                   | 145  | 5875                  | 231 | 215                | 8   | 15°                   | 10°  | 8000            | 17500  |
|  | 5100                | 201  | 3935                   | 155  | 6375                  | 251 | 215                | 8   | 15°                   | 10°  | 8000            | 17500  |
|  | 5400                | 213  | 4085                   | 161  | 6675                  | 263 | 215                | 8   | 15°                   | 10°  | 8000            | 17500  |
|  | 5600                | 220  | 4185                   | 165  | 6875                  | 271 | 215                | 8   | 15°                   | 10°  | 7800            | 17200  |
| 6500   | 256                 | 4735 | 186                    | 7775 | 306                   | 215 | 8                  | 15° | 10°                   | 7400 | 16300           |        |
| TT   | 4350                | 171  | 2630                   | 104  | 5625                  | 221 | 1420               | 56  | 15°                   | 10°  | 8000            | 17500  |
|  | 4800                | 189  | 2780                   | 109  | 6075                  | 239 | 1570               | 62  | 15°                   | 10°  | 8000            | 17500  |
|  | 5400                | 213  | 2980                   | 117  | 6675                  | 263 | 1770               | 70  | 15°                   | 10°  | 7750            | 17100  |
|  | 5850                | 230  | 3130                   | 123  | 7125                  | 281 | 1920               | 76  | 15°                   | 10°  | 7500            | 16550  |
|  | 6540                | 257  | 3410                   | 134  | 7815                  | 308 | 2200               | 87  | 15°                   | 10°  | 7100            | 15650  |
|  | 7650                | 301  | 3780                   | 149  | 8925                  | 351 | 2570               | 101 | 15°                   | 10°  | 5400            | 11900  |

**Mast Chart CD 90S-9**

| Shaft Type Carriage (without S/S, Without F/M) |                     |      |                        |      |                       |     |                    |     | Rated Load Capacities |      |                 |        |
|--|---------------------|------|------------------------|------|-----------------------|-----|--------------------|-----|-----------------------|------|-----------------|--------|
| Mast Type                                      | Maximum Fork Height |      | Maximum Lowered Height |      | Fully Extended Height |     | Free Lift          |     | Tilt Angle            |      | Load Capacities |        |
|  |                     |      |                        |      | With Load Backrest    |     | With Load Backrest |     | FWD                   | BWD  | LC600mm         | LC24in |
|  | mm                  | in   | mm                     | in   | mm                    | in  | mm                 | in  | deg                   | deg  | kg              | lb     |
| TL   | 3100                | 122  | 2835                   | 112  | 4375                  | 172 | 215                | 8   | 15°                   | 10°  | 9000            | 20000  |
|  | 3300                | 130  | 2935                   | 116  | 4575                  | 180 | 215                | 8   | 15°                   | 10°  | 9000            | 20000  |
|  | 3600                | 142  | 3085                   | 121  | 4875                  | 192 | 215                | 8   | 15°                   | 10°  | 9000            | 20000  |
|  | 4100                | 161  | 3435                   | 135  | 5375                  | 212 | 215                | 8   | 15°                   | 10°  | 9000            | 20000  |
|  | 4600                | 181  | 3685                   | 145  | 5875                  | 231 | 215                | 8   | 15°                   | 10°  | 9000            | 20000  |
|  | 5100                | 201  | 3935                   | 155  | 6375                  | 251 | 215                | 8   | 15°                   | 10°  | 9000            | 20000  |
|  | 5400                | 213  | 4085                   | 161  | 6675                  | 263 | 215                | 8   | 15°                   | 10°  | 8900            | 19600  |
|  | 5600                | 220  | 4185                   | 165  | 6875                  | 271 | 215                | 8   | 15°                   | 10°  | 8750            | 19300  |
| 6500   | 256                 | 4735 | 186                    | 7775 | 306                   | 215 | 8                  | 15° | 10°                   | 8200 | 18100           |        |
| TT   | 4350                | 171  | 2630                   | 104  | 5625                  | 221 | 1420               | 56  | 15°                   | 10°  | 9000            | 20000  |
|  | 4800                | 189  | 2780                   | 109  | 6075                  | 239 | 1570               | 62  | 15°                   | 10°  | 9000            | 20000  |
|  | 5400                | 213  | 2980                   | 117  | 6675                  | 263 | 1770               | 70  | 15°                   | 10°  | 8700            | 19200  |
|  | 5850                | 230  | 3130                   | 123  | 7125                  | 281 | 1920               | 76  | 15°                   | 10°  | 8350            | 18400  |
|  | 6540                | 257  | 3410                   | 134  | 7815                  | 308 | 2200               | 87  | 15°                   | 10°  | 7900            | 17400  |
|  | 7650                | 301  | 3780                   | 149  | 8925                  | 351 | 2570               | 101 | 15°                   | 10°  | 5400            | 11900  |

**Standard Features**

1. Doosan 3.4L diesel engine
2. Auto-throttle up when using hydraulics
3. Auto tensioner on engine drive belt
4. Electronic controlled 3-speed auto-shift transmission
5. Oil-cooled disc brakes
6. Suspension seat with armrest
7. 7" full color operator display
8. Telescopic and tilting steering column
9. Large entry grab bars
10. Rear handle/horn for reverse driving
11. 12-volt power port and USB
12. Electric parking brake
13. Adjustable speed limits
14. Left and right rear view mirrors
15. Front LED worklights
16. Performance modes (Eco/STD/Power)
17. Sealed electrical connectors
18. Door ajar notification
19. Manual tilt overhead guard (for serviceability)
20. Centralized control panel for switches
21. IP67 or higher electrical connectors
22. Centralized electrical junction box
23. Pre-fuel filter

**Optional Equipment**

1. Tilt position assist (auto-tilt leveling)
2. Heated suspension seat with armrest
3. Finger tip control
4. Audio (radio with MP3)
5. Push button start
6. Seat belt interlock
7. 4<sup>th</sup> lever interlock for clamping attachments
8. Front/rear view cameras
9. Weight scales (hydraulic and load cell types)
10. Siren & microphone
11. Rear LED worklights
12. Additional transmission and hydraulic oil coolers
13. Radiator screen
14. Under protection belly plate
15. Engine block heater
16. Mud/debris guard rear
17. Automatic tilt overhead guard (for serviceability)
18. Tankless air compressor
19. Tire options
20. Factory installed sidershifters and fork positioners
21. Full and modular cabins with heat and air conditioning
22. Various lighting solutions (Blue floor spot lights)
23. Operator cooling fans
24. InfoLink® ready
25. Hydraulic accumulators (reduce carriage bounce)
26. Lifting eyes

**Warning Device Options**

Audible or Visual Alerts

Safety considerations and dangers associated with audible travel alarms and lights include:

- Multiple alarms and/or lights can cause confusion.
- Workers ignore the alarms and/or lights after day-in and day-out exposure.
- Operator may transfer the responsibility for "looking out" to the pedestrians.
- Annoys operators and pedestrians.

**Other Options Available**

Contact your local Crown dealer

*Dimensions and performance data given may vary due to manufacturing tolerances.*

*Performance is based on an average size vehicle and is affected by weight, condition of truck, how it is equipped and the conditions of the operating area. Crown products and specifications are subject to change without notice.*

**Crown Equipment Corporation**

New Bremen, Ohio 45869 USA

**Tel** 419-629-2311

**Fax** 419-629-3796

[crown.com](http://crown.com)

**You can count on Crown to sell lift trucks designed for safe operation, but that's only part of the safety equation. Crown encourages safe operating practices through ongoing operator training, safety-focused supervision, maintenance and a safe working environment. Go to [crown.com](http://crown.com) and view our safety section to learn more.**

Because Crown is continually improving its products, specifications are subject to change without notice.

Crown, the Crown logo, the color beige, the Momentum symbol, and InfoLink are trademarks of Crown Equipment Corporation in the United States and other countries.

Copyright 2022 Crown Equipment Corporation  
SF20551 Rev. 12-22  
Printed in U.S.A.