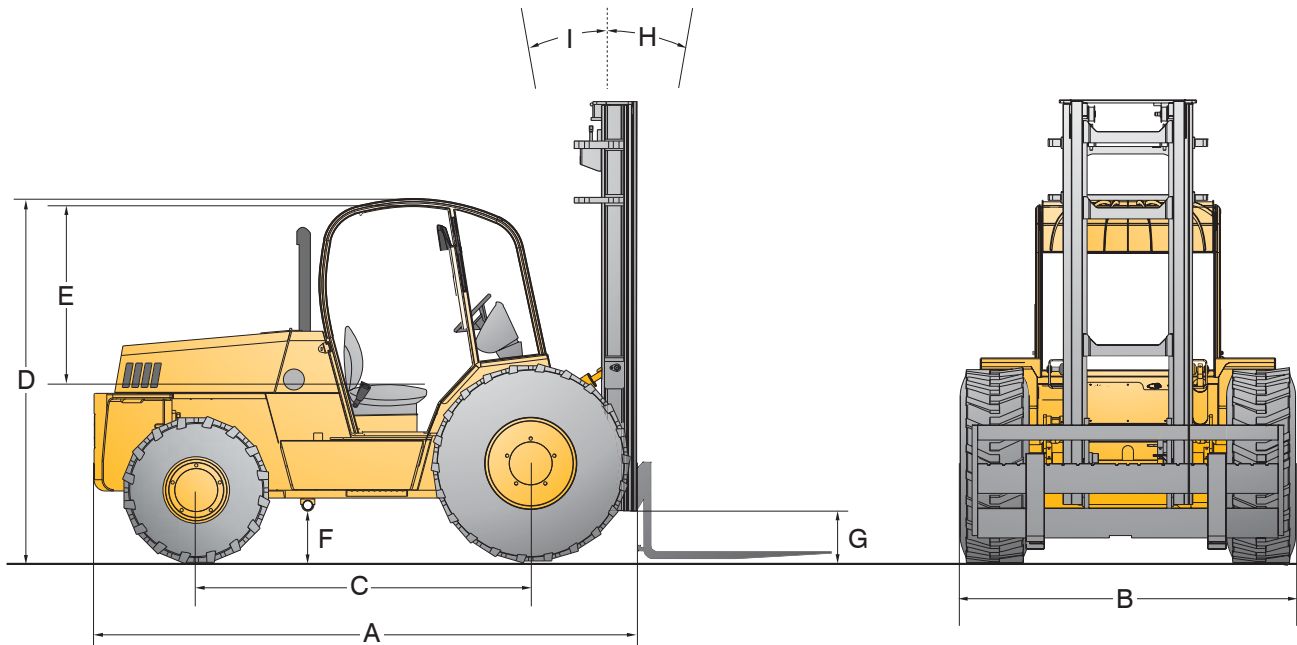


# S SERIES TECHNICAL SPECIFICATIONS - ECOMAX T4



	Ref.	S60	S80	S100	S120
Lift capacities @ 24 inch load center		6,000 lbs	8,000 lbs	10,000 lbs	12,000 lbs
Total weight <sup>2</sup>		14,855 lbs	16,235 lbs	19,245 lbs	20,915 lbs
Overall length (without forks)	A	149"/3,785 mm	150"/3,810 mm	152"/3,861 mm	159"/4,039 mm
Overall width	B		89"/2,261 mm		
Wheelbase	C		89"/2,261 mm		
Height to top of overhead guard (standard)	D		97"/2,464 mm		
Distance from seat to overhead guard (standard)	E		43"/1,092 mm		
Outside turning radius			178"/4,521 mm		183"/4,648 mm
Aisle width 90° stacking			266"/6,756 mm		271"/6,883 mm
Frame underclearance	F		15"/381 mm		
Mast underclearance	G		12"/305 mm		
Mast sideshift			6"/152 mm		
Mast tilt - forward	H		45°		
Mast tilt - rearward	I		12°		
Travel speed (standard)			19 mph		12 mph
Gradeability			25%		
Tire type & size (standard)		Drive (pneumatic) - 15.5 x 25 - 12 ply   Steer (pneumatic) - 14 x 17.5 - 14 ply			
Engine model		ECOMAX T4			
Cylinders		4			
Engine output (gross power)		74 hp @ 2,200 rpm			
Peak torque		295 ft. lbs @ 1,200 rpm			
Transmission type		Power reversing synchromesh			

*Because of our constant dedication to product improvement, all specifications are subject to change without notice.  
— All Sellick forklifts meet or exceed all ANSI/ITSDF B56.6-2016 safety standards —*

<sup>2</sup>Total weight with standard operator's platform, 144" 2-stage mast, and load backrest.

