

CROWN

PTH 50 SERIES



Built and Backed to Last

The PTH 50 Series may be the smallest truck in the Crown product family, but it can make a big difference for your operation with excellent ergonomics, application versatility and long-term durability. With a 3-year warranty covering pump assembly, frame, handle, lift linkage and pushrod weldments, it's built to last and backed to prove it.

The Crown PTH 50 Series.
Exceptional Long-Term Value



Visit [crown.com](https://www.crown.com)

See the PTH 50 Series



The Must-Have Hand Pallet Truck

Find power in productivity with the PTH 50 Series. It's built to last and easy to use. That's why Crown's pallet truck is the go-to truck.



Durability

Complete the tough challenges and benefit from simpler service with an intuitive design and dependable, long-lasting components.

Ease Of Use

Feel the difference of excellent maneuverability and operator-friendly functionality as you comfortably move from task to task throughout your facility.

Versatility

Don't settle for less. The PTH 50 Series can be customized in a number of ways to meet your unique needs.

Peace of Mind

Built to last and warranted to prove it, the PTH 50 Series includes an industry-leading 3-year replacement warranty on key components.

Durability That Lasts

Crown takes the design of every truck seriously. The PTH 50 Series receives attention to performance and value from engineering and design to manufacturing and testing.

Unlike some “throw-away” pallet trucks available today, Crown’s PTH 50 Series features solid construction, generous use of steel, and ergonomic features that make it easy to use shift after shift, year after year. With millions of trucks sold worldwide, our reputation is an important part of each truck we sell.

**3
YEAR
WARRANTY***



Includes **sealed and lubricated for life** bushings and bearings where others feature grease fittings.

Feel the difference in Crown's **strong, yet ergonomic design** that uses steel where it's needed.

Refined Fork Tip Design **increases flexibility** for use in any application with a 75 mm fork clearance.

Steer and load wheels are engineered with **high-quality** compounds and bearings.

Forks with C-channel formed steel provide **added strength**.

Reinforced lower handle.

**1M
CYCLES**

Pump valve tested to **over one million cycles** and minimizes contamination and corrosion with hard chrome pistons.

Cross braces and thick formed steel on lift linkage arms **resist twisting**.

Yellow chromate pins and shafts **resist corrosion**.

*A 3-year Supplemental Warranty covering pump assembly, frame, handle, lift linkage and pushrod weldments is included with all PTH 50 models, excluding PTH 50S/PS models.



Ease Of Use You Can Feel

Easy handling and versatile performance make the PTH 50 Series a great solution in every point of your operation. Crown designed the truck with features to provide greater convenience for the operator, so the truck works harder for you.

Repetitive Tasks Simplified

Complete recurrent tasks more easily and reduce fatigue with an ergonomic handle that includes:

- a contoured design
- low-stress pump action
- a neutral lever position that provides ergonomic access
- an automatic return-to-vertical position



Pallet entry/exit is **enhanced** with rollers, an exit ramp and a tapered fork tip design.

Box-style push rods contribute to **better longevity**.



Articulating wheels

The PTH 50 Series has 180mm articulating wheels designed to maintain contact with the floor to help maneuver over uneven surfaces, across docks, and in and out of trailers.

Easy to Maintain

Not only is the PTH 50 Series easy to handle and maneuver, Crown has designed it to be as maintenance-free as possible. Each part is economical to replace and readily available, so you can save effort, time and money.

Versatility That Gets the Job Done

The PTH 50 Series covers more than the basics—it is designed to be used in most any application, and offers excellent performance in numerous operations. Plus, there are several options available that you can use to customize your truck to meet the needs of your specific application and create even more possibilities for your facility.

Manual Scissor Lift

Forks are raised by simply pumping the handle with the lever in the "raise" position and lowered by pulling the lever to the "lower" position.



Powered Scissor Lift

Electrically-powered hydraulics raise the forks at the touch of a button.



Scissor Lift improves operator comfort and efficiency by avoiding unnecessary bending and lifting that can cause strains and stresses on the body. It has various uses as a hand pallet truck and a mobile work positioner, can handle skids and open-bottom containers, and can be used to hold materials that will be fed onto conveyors and printing or punch presses.

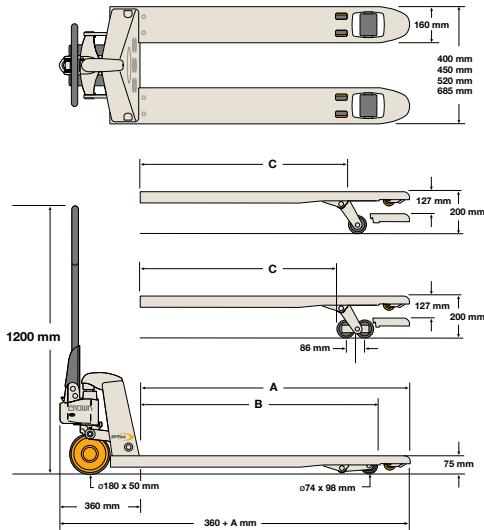


Load Backrest is constructed of 8mm steel, and backrests are available in 1220 mm and 1525 mm sizes. Bolt-on installation simplifies field retrofits.



Skid Adapter increases lowered height to 140 mm to permit skid handling. Raised height increases to 267 mm. Adapter latches in vertical position for pallet-handling tasks.

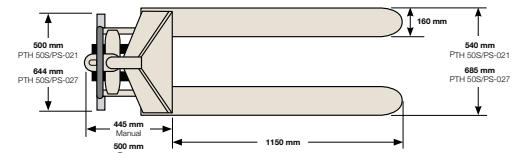
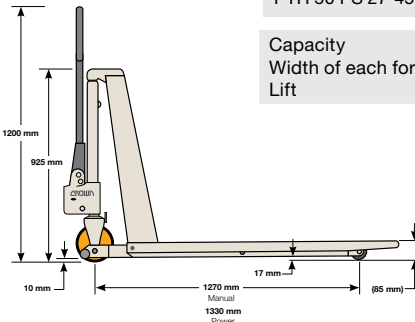
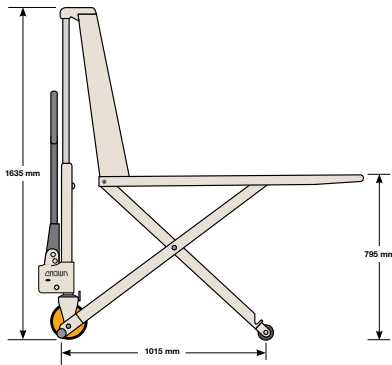
Standard PTH



| Model | Width (mm) | (A) Fork Length (mm) | (B) Load Wheel Lowered (mm) | (C) Load Wheel Raised (mm) | Weight (kg) |
|----------------|------------|----------------------|-----------------------------|----------------------------|-------------|
| PTH 50 16-36 | 400 | 900 | 755 | 600 | 60 |
| PTH 50 18-42 | 450 | 1050 | 905 | 750 | 64 |
| PTH 50 18-48 | 450 | 1200 | 1055 | 900 | 67 |
| PTH 50 20-36 | 520 | 900 | 755 | 600 | 62 |
| PTH 50 20-42 | 520 | 1050 | 905 | 750 | 65 |
| PTH 50 20-48 | 520 | 1200 | 1055 | 900 | 68 |
| PTH 50 27-36 | 685 | 900 | 755 | 600 | 65 |
| PTH 50 27-42 | 685 | 1050 | 905 | 750 | 68 |
| PTH 50 27-48 | 685 | 1200 | 1055 | 900 | 72 |
| PTH 50 27-48-T | 685 | 1200 | 1094 | 869 | 73 |
| PTH 50 27-54 | 685 | 1350 | 1205 | 1050 | 76 |
| PTH 50 27-60 | 685 | 1505 | 1360 | 1205 | 79 |
| PTH 50 27-72 | 685 | 1810 | 1665 | 1510 | 86 |

| | | |
|--------------------|---------|-------------------------------------|
| Capacity | 2300 kg | Polyurethane or Nylon Wheels |
| Width of each fork | 160 mm | Steer wheels |
| Lift | 127 mm | Load wheels |
| | | ø 180 x 50 mm wide |
| | | ø 74 x 98 mm wide |

Scissor Lift PTH



| Model | Lift Type | Width (mm) | Fork Length (mm) | Overall Length (mm) | Fork Height Lowered (mm) | Weight (kg) |
|-----------------|-----------|------------|------------------|---------------------|--------------------------|-------------|
| PTH 50S 21-45 | Manual | 540 | 1150 | 1595 | 85 | 150 |
| PTH 50S 27-45 | Manual | 685 | 1150 | 1595 | 85 | 157 |
| PTH 50 PS 21-45 | Electric | 540 | 1150 | 1650 | 85 | 195 |
| PTH 50 PS 27-45 | Electric | 685 | 1150 | 1650 | 85 | 202 |

| | | |
|--------------------|---------|----------------------------|
| Capacity | 1000 kg | Polyurethane Wheels |
| Width of each fork | 160 mm | Steer wheels |
| Lift | 715 mm | Load wheels |
| | | ø 180 x 50 mm wide |
| | | ø 75 x 74 mm wide |

Wheel Options

The PTH50 Series is available with either polyurethane or nylon steer and load wheels. Both are non-marking but offer characteristics that may be better suited for certain environments. Nylon is a harder compound and provides a lower rolling resistance to allow for easier load maneuvering and reduced pull effort. Polyurethane offers more traction, specifically in wet environments. Polyurethane may also be preferred in noise sensitive areas.



Nylon



Polyurethane

| Load Tray & Accessory Tube | Tray Width (mm) | Tray Length (mm) | Tray Height From Floor (mm) | Tray Capacity (kg) |
|----------------------------|-----------------|------------------|-----------------------------|--------------------|
| Fold Down Load Tray | 685 | 535 | 1120 | 22 |

Crown's Work Assist™ Accessories Options



The Crown Work Assist System enables users to tailor truck features to the job. From phone holders (phone not included) to clipboards, Crown offers a full range of accessories.

The PTH 50 Series: Exceptional Long-Term Value.
Contact your local Crown dealer or purchase online at crown.com



Crown Equipment Corporation
New Bremen, Ohio 45869 USA
Tel 419-629-2311
Fax 419-629-3796
crown.com

Because Crown is continually improving its products, specifications are subject to change without notice.

Notice: Not all product features are available in all countries in which this literature is published.

Crown, the Crown logo, the color beige, the Momentum Mark, Work Assist and the ecologic logo are trademarks of Crown Equipment Corporation in the United States and other countries.

Copyright 2016-2020 Crown Equipment Corporation
SF19967-EM Rev. 09-20
Printed in U.S.A.