



TECHNICAL SPECIFICATIONS

Pneumatic Forklift Trucks

CD50S / CD60S / CD70S-5 & CD80S / CD90S-5
CG50S / CG60S / CG70S-5

5,000kg to 9,000kg Capacity

PRO5
SERIES



5,000/6,000/7,000/8,000/9,000kg Capacities

Engine Powered Forklift Trucks Pneumatic Tyre

MAIN VEHICLE SPECIFICATIONS

CHARACTERISTICS	2	Model		CD50S-5	CD60S-5	CD70S-5	CD80S-5	CD90S-5	
	3	Load Capacity	at rated load centre	kg	5,000	6,000	7,000	8,000	9,000
	4	Load Centre		mm	600	600	600	600	600
	5	Power type	Elec, Diesel, LPG, Gasoline		Diesel	Diesel	Diesel	Diesel	Diesel
	6	Operator type			Driver-seated	Driver-seated	Driver-seated	Driver-seated	Driver-seated
	7	Tyre type	P:Pnu, E:Solid Soft, C: Cush		P	P	P	P	P
	8	Wheels (x=Driven)	Front / Rear		x 4 / 2	x 4 / 2	x 4 / 2	x 4 / 2	x 4 / 2
	9	Max. Fork Height	with STD 2-stage mast	mm	3,000	3,000	3,000	3,100	3,100
10	Free Lift		mm	205	205	205	215	215	
12	Fork Carriage	ISO Class		IV	IV	IV	V	V	
DIMENSIONS	13	Forks	Length x Width x Thickness	mm	1,200x150x60	1,200x180x60	1,200x180x60	1,200 x180x70	1,200 x180x70
		Fork Spacing(Min x Max)	mm	350x2,032	410x2,032	410x2,032	410x2,092	410x2,092	
	14	Tilt of Mast	Forward / Backward	deg	15 / 10	15 / 10	15 / 10	15 / 10	15 / 10
	15	Overall Dimensions	Length to Fork Face	mm	3,507	3,568	3,647	3,970	4,040
			Overall Width	mm	2,108	2,108	2,108	2,230	2,230
			Mast Lowered Height	mm	2,500	2,500	2,500	2,835	2,835
			Mast Extended Height	mm	4,340	4,340	4,340	4,375	4,375
			Overhead Guard Height	mm	2,455	2,455	2,455	2,648	2,648
	19	Seat Height	mm	1,333	1,333	1,333	1,526	1,526	
	21	Turning Radius	Minimum outside	mm	3,301	3,331	3,380	3,610	3,680
	22	Load Moment Centre		mm	632	632	632	725	725
23	Aisle 90 degree stacking(add load length & clearance)		mm	3,924	3,958	4,000	4,330	4,355	
PERFORMANCE	24	Travel Speed	Loaded / Unloaded	km/h	30.0 / 33.0	29.5 / 32.5	29.0 / 32.0	29.8 / 33.8	27.7 / 33.4
	25	Lifting Speed	Loaded / Unloaded	mm/s	500 / 530	490 / 530	445 / 470	430 / 470	430 / 470
	26	Lowering Speed	Loaded / Unloaded	mm/s	501 / 450	501 / 450	499 / 450	500 / 450	500 / 450
	28	Max. drawbar pull	Loaded at 1.0 mph (1.6km / h)	kg	5,668	5,624	5,592	5,498	5,449
	30	Max. gradeability	Loaded at 1.0 mph (1.7km / h)	%	47.5	40.5	35.5	30.6	28.6
	32	Total Service Weight, Unloaded		kg	8,570	9,240	9,970	11,545	12,195
WEIGHT	33	Axle Load	Loaded, Front / Rear	kg	12,175 / 1,395	13,585 / 1,655	14,980 / 1,990	14,920 / 4,360	16,920 / 4,705
			Unloaded, Front / Rear	kg	4,435 / 4,135	4,300 / 4,940	4,150 / 5,820	4,600 / 6,500	4,680 / 7,315
CHASSIS	35		Number of wheels(F / R)		2 / 4	2 / 4	2 / 4	4 / 2	4 / 2
	36	Tyres	Size, Front		8.25x15-14PR	8.25x15-14PR	8.25x15-14PR	9.00x20-14PR	9.00x20-14PR
			Size, Rear		8.25x15-14PR	8.25x15-14PR	8.25x15-14PR	9.00x20-14PR	9.00x20-14PR
	38	Wheel Base	Distance	mm	2,250	2,250	2,250	2,500	2,500
	39	Tread Width	Front / Rear	mm	1,584 / 1,550	1,584 / 1,550	1,584 / 1,550	1,646 / 1,750	1,646 / 1,750
	40	Ground Clearance	Loaded at the lowest point	mm	176	176	176	258	258
			Loaded at centre of wheelbase	mm	205	205	205	292	292
42	Brakes	Service		Foot / Hyd	Foot / Hyd	Foot / Hyd	Foot / Hyd	Foot / Hyd	
		Parking		Hand / Mech	Hand / Mech	Hand / Mech	Hand / Mech	Hand / Mech	
45	Battery	Voltage / Ampere	V/AH	24 / 75	24 / 75	24 / 75	24 / 75	24 / 75	
POWER TRAIN	49	Engine	Model		DB58S	DB58S	DB58S	DB58S	DB58S
			Rated Power(DIN)	HP/rpm	98.6 / 2,200	98.6 / 2,200	98.6 / 2,200	98.6 / 2,200	98.6 / 2,200
				kW/rpm	73.6 / 2,200	73.6 / 2,200	73.6 / 2,200	73.6 / 2,200	73.6 / 2,200
			Maximum Torque	N-m/rpm	363 / 1,400	363 / 1,400	363 / 1,400	363 / 1,400	363 / 1,400
	52	Cylinders / Displacements	CC	6 / 5,785	6 / 5,785	6 / 5,785	6 / 5,785	6 / 5,785	
	55	Transmission	Type		FULL AUTO	FULL AUTO	FULL AUTO	FULL AUTO	FULL AUTO
Number of Speed (Fwd / Rev)				3 / 3	3 / 3	3 / 3	3 / 3	3 / 3	
57	Hydraulic Pressure	System	bar	210	210	210	219	235	
		Attachment	bar	140	140	140	140	140	

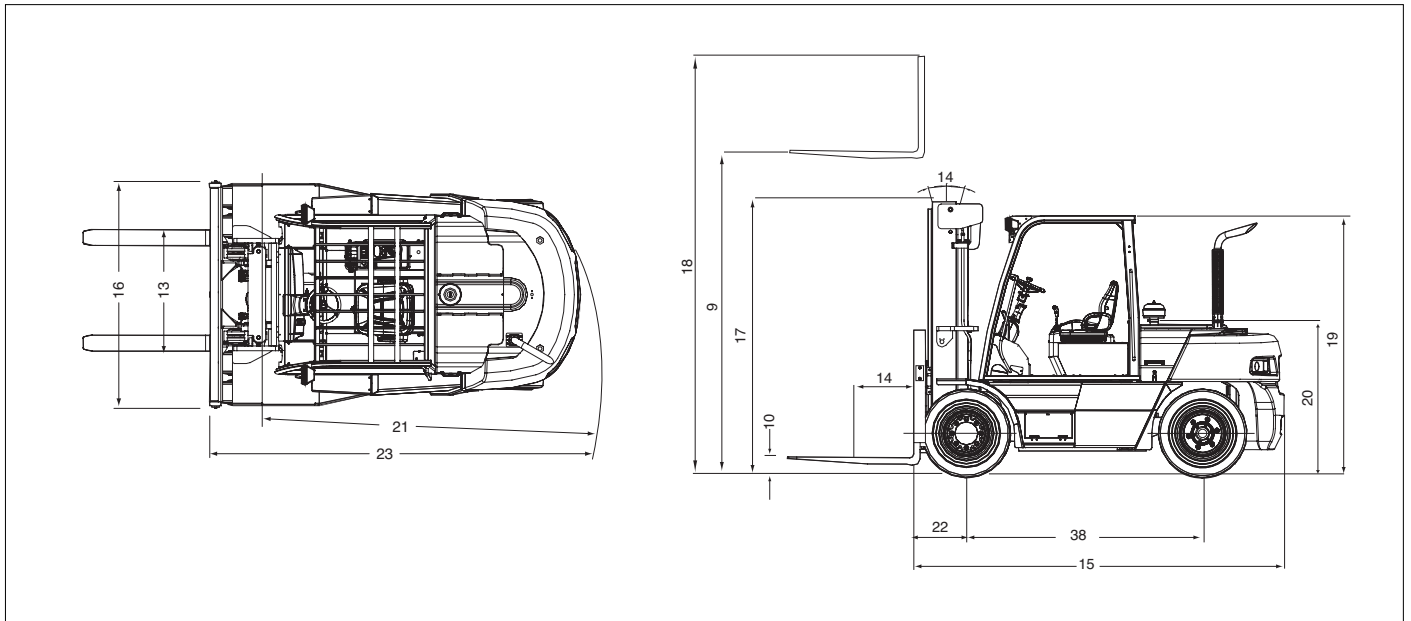
Note: Specification values quoted in this specification sheet has been rounded. Performance may vary due to operation conditions.
Products and specifications are subject to improvement and change without prior notices.

5,000/6,000/7,000kg Capacities

Engine Powered Forklift Trucks Pneumatic Tyre

CD50S-5	CD60S-5	CD70S-5	CG50S-5	CG60S-5	CG70S-5
5,000	6,000	7,000	5,000	6,000	7,000
600	600	600	600	600	600
Diesel	Diesel	Diesel	LPG	LPG	LPG
Driver-seated	Driver-seated	Driver-seated	Driver-seated	Driver-seated	Driver-seated
P	P	P	P	P	P
x 4 / 2	x 4 / 2	x 4 / 2	x 4 / 2	x 4 / 2	x 4 / 2
3,000	3,000	3,000	3,000	3,000	3,000
205	205	205	205	205	205
IV	IV	IV	¥‡	¥‡	¥‡
1,200x150x60	1,200x180x60	1,200x180x60	1,200x150x60	1,200x180x60	1,200x180x60
350x2,032	410x2,032	410x2,032	350x2,032	410x2,032	410x2,032
15 / 10	15 / 10	15 / 10	15 / 10	15 / 10	15 / 10
3,507	3,568	3,647	3,507	3,568	3,647
2,108	2,108	2,108	2,108	2,108	2,108
2,500	2,500	2,500	2,500	2,500	2,500
4,340	4,340	4,340	4,340	4,340	4,340
2,455	2,455	2,455	2,455	2,455	2,455
1,333	1,333	1,333	1,333	1,333	1,333
3,301	3,331	3,380	3,301	3,331	3,380
632	632	632	632	632	632
3,924	3,958	4,000	3,924	3,958	4,000
25 / 26.5	24.5 / 26.5	24.0 / 26.5	24.0 / 25.4	23.8 / 25.4	23.6 / 25.4
415 / 445	415 / 445	415 / 445	380 / 410	380 / 410	380 / 410
490 / 460	490 / 460	490 / 460	490 / 460	490 / 460	490 / 460
4,908	4,875	4,875	5,010	4,990	4,965
39.4	34.1	30.3	40.9	35.5	31.3
8,395	9,085	9,810	8,235	8,905	9,635
12,010 / 1,385	13,430 / 1,655	14,820 / 1,990	11,840 / 1,395	13,260 / 1,645	14,650 / 1,985
4,270 / 4,125	4,145 / 4,940	3,985 / 5,830	4,100 / 4,135	3,975 / 4,930	3,815 / 5,820
4 / 2	4 / 2	4 / 2	4 / 2	4 / 2	4 / 2
8.25x15-14PR	8.25x15-14PR	8.25x15-14PR	8.25x15-14PR	8.25x15-14PR	8.25x15-14PR
8.25x15-14PR	8.25x15-14PR	8.25x15-14PR	8.25x15-14PR	8.25x15-14PR	8.25x15-14PR
2,250	2,250	2,250	2,250	2,250	2,250
1,584 / 1,550	1,584 / 1,550	1,584 / 1,550	1,584 / 1,550	1,584 / 1,550	1,584 / 1,550
176	176	176	176	176	176
205	205	205	205	205	205
Foot / Hyd	Foot / Hyd	Foot / Hyd	Foot / Hyd	Foot / Hyd	Foot / Hyd
Hand / Mech	Hand / Mech	Hand / Mech	Hand / Mech	Hand / Mech	Hand / Mech
24 / 75	24 / 75	24 / 75	12 / 75	12 / 75	12 / 75
DB58S	DB58S	DB58S	G643(E)	G643(E)	G643(E)
92.7 / 2,400	92.7 / 2,400	92.7 / 2,400	93 / 2,450	93 / 2,450	93 / 2,450
69.1 / 2,400	69.1 / 2,400	69.1 / 2,400	69 / 2,450	69 / 2,450	69 / 2,450
323 / 1,600	323 / 1,600	323 / 1,600	31 / 1,400	31 / 1,400	31 / 1,400
6 / 4,400	6 / 4,400	6 / 4,400	6 / 4,294	6 / 4,294	6 / 4,294
Autoshift	Autoshift	Autoshift	Power Shift	Power Shift	Power Shift
2 / 2	2 / 2	2 / 2	2 / 2	2 / 2	2 / 2
210	210	210	210	210	210
140	140	140	140	140	140

DIMENSIONAL DRAWING



MAST SPECIFICATIONS and RATED CAPACITIES

CD/CG50S-5

Mast type	Maximum Fork Height	Fully Lowered Height	Fully Extended Height	Free Lift	Rated Load Capacities		
					CD/CG50S-5		
			With Load Backrest	With Load Backrest	Tilt Angle		Load Capacities
					Double Pneumatic		Double Pneumatic
					FWD	BWD	LC 600mm
	mm	mm	mm	mm	deg	deg	kg
STD	3,000	2,495	4,275	205	15	10	5,000
	3,500	2,745	4,775	205	15	10	5,000
	3,700	2,845	4,975	205	15	10	5,000
	4,000	2,995	5,275	205	15	10	5,000
	4,500	3,345	5,775	205	15	10	5,000
	5,000	3,595	6,275	205	15	10	5,000
	5,500	3,845	6,775	205	15	10	4,900
	6,000	4,095	7,275	205	15	10	4,725
FFT	4,550	2,540	5,570	1,580	15	10	4,900
	5,000	2,690	6,020	1,730	15	10	4,750
	5,600	2,890	6,620	1,930	15	10	4,550
	6,050	3,040	7,070	2,080	15	10	4,400

CD/CG60S-5

Mast type	Maximum Fork Height	Fully Lowered Height	Fully Extended Height	Free Lift	Rated Load Capacities		
			With Load Backrest	With Load Backrest	CD/CG60S-5		
					Tilt Angle		Load Capacities
					Double Pneumatic		Double Pneumatic
mm	mm	mm	mm	deg	deg	kg	
STD	3,000	2,495	4,275	205	15	10	6,000
	3,500	2,745	4,775	205	15	10	6,000
	3,700	2,845	4,975	205	15	10	6,000
	4,000	2,995	5,275	205	15	10	6,000
	4,500	3,345	5,775	205	15	10	6,000
	5,000	3,595	6,275	205	15	10	6,000
	5,500	3,845	6,775	205	15	10	5,875
	6,000	4,095	7,275	205	15	10	5,675
FFT	4,550	2,540	5,570	1,580	15	10	5,900
	5,000	2,690	6,020	1,730	15	10	5,725
	5,600	2,890	6,620	1,930	15	10	5,500
	6,050	3,040	7,070	2,080	15	10	5,300

CD/CG70S-5

Mast type	Maximum Fork Height	Fully Lowered Height	Fully Extended Height	Free Lift	Rated Load Capacities			
			With Load Backrest	With Load Backrest	CD/CG70S-5			
					Tilt Angle		Load Capacities	
					Double Pneumatic		Double Pneumatic	
mm	mm	mm	mm	deg	deg	kg		
STD	3,000	2,495	4,275	205	15	10	7,000	
	3,500	2,745	4,775	205	15	10	7,000	
	3,700	2,845	4,975	205	15	10	7,000	
	4,000	2,995	5,275	205	15	10	7,000	
	4,500	3,345	5,775	205	15	10	7,000	
	5,000	3,595	6,275	205	15	10	7,000	
	5,500	3,845	6,775	205	15	10	7,000	
	6,000	4,095	7,275	205	15	10	6,900	
	3,000	2,495	4,275	205	15	10	7,000	
	3,500	2,745	4,775	205	15	10	7,000	
	3,700	2,845	4,975	205	15	10	7,000	
	4,000	2,995	5,275	205	15	10	7,000	
	4,500	3,345	5,775	205	15	10	7,000	
	5,000	3,595	6,275	205	15	10	7,000	
	5,500	3,845	6,775	205	15	10	7,000	
	6,000	4,095	7,275	205	15	10	6,900	
	FFT	4,550	2,540	5,570	1580	15	10	7,000
		5,000	2,690	6,020	1730	15	10	7,000
5,600		2,890	6,620	1930	15	10	6,725	
6,050		3,040	7,070	2080	15	10	6,500	

CD80S-5

Mast type	Maximum Fork Height	Fully Lowered Height	Fully Extended Height	Free Lift	Rated Load Capacities		
			With Load Backrest	With Load Backrest	CD80S-5		
					Tilt Angle		Load Capacities
					Double Pneumatic		Double Pneumatic
					FWD	BWD	LC 600mm
	mm	mm	mm	mm	deg	deg	kg
STD	3,100	2,835	4,375	215	15	10	8,000
	3,300	2,935	4,575	215	15	10	8,000
	3,600	3,085	4,875	215	15	10	8,000
	4,100	3,435	5,375	215	15	10	8,000
	4,600	3,685	5,875	215	15	10	8,000
	5,100	3,935	6,375	215	15	10	8,000
	5,600	4,185	6,875	215	15	10	8,000
FFT	4,350	2,630	5,625	1,420	15	10	8,000
	4,800	2,780	6,075	1,570	15	10	8,000
	5,400	2,980	6,675	1,770	15	10	8,000
	5,850	3,130	7,125	1,920	15	10	7,900

CD90S-5

Mast type	Maximum Fork Height	Fully Lowered Height	Fully Extended Height	Free Lift	Rated Load Capacities		
			With Load Backrest	With Load Backrest	CD90S-5		
					Tilt Angle		Load Capacities
					Double Pneumatic		Double Pneumatic
					FWD	BWD	LC 600mm
	mm	mm	mm	mm	deg	deg	kg
STD	3,100	2,835	4,375	215	15	10	9,000
	3,300	2,935	4,575	215	15	10	9,000
	3,600	3,085	4,875	215	15	10	9,000
	4,100	3,435	5,375	215	15	10	9,000
	4,600	3,685	5,875	215	15	10	9,000
	5,100	3,935	6,375	215	15	10	9,000
	5,600	4,185	6,875	215	15	10	9,000
FFT	4,350	2,630	5,625	1,420	15	10	9,000
	4,800	2,780	6,075	1,570	15	10	9,000
	5,400	2,980	6,675	1,770	15	10	9,000
	5,850	3,130	7,125	1,920	15	10	8,850

(June.2013)


Crown Equipment Pty Ltd

Australia Head office : Corner Long Cooper Streets Smithfield NSW
 2164 Australia
 Tel : +61 2 8788 0000 Fax : +61 2 9609 1702
Singapore Head office : 15 Tuas Avenue 8 Tuas 639230 Singapore
 Tel : +65 6861 3669 Fax : +65 6861 0175
New Zealand Head office : 18 Andromeda Crescent East tamaki Auckland
 1701 New Zealand
 Tel : +64 9 274 4069 Fax : +64 9 273 7855

www.crown.com

Because Crown is continually improving its products, specifications are subject to change without notice.

Crown, the colour beige, the Momentum symbol are trademarks of Crown Equipment Corporation.

Copyright 2013 Crown Equipment Corporation
 Ref : ASF0040
 Printed in Australia.