

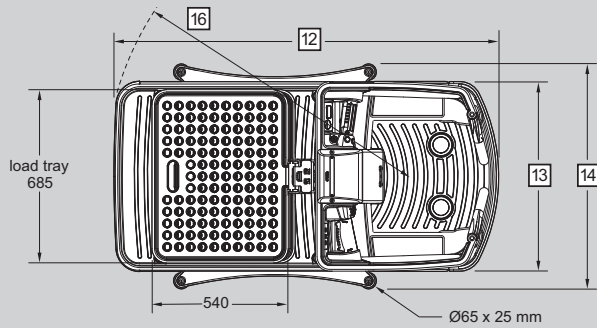
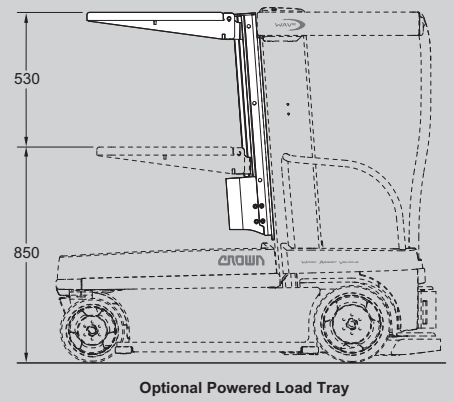
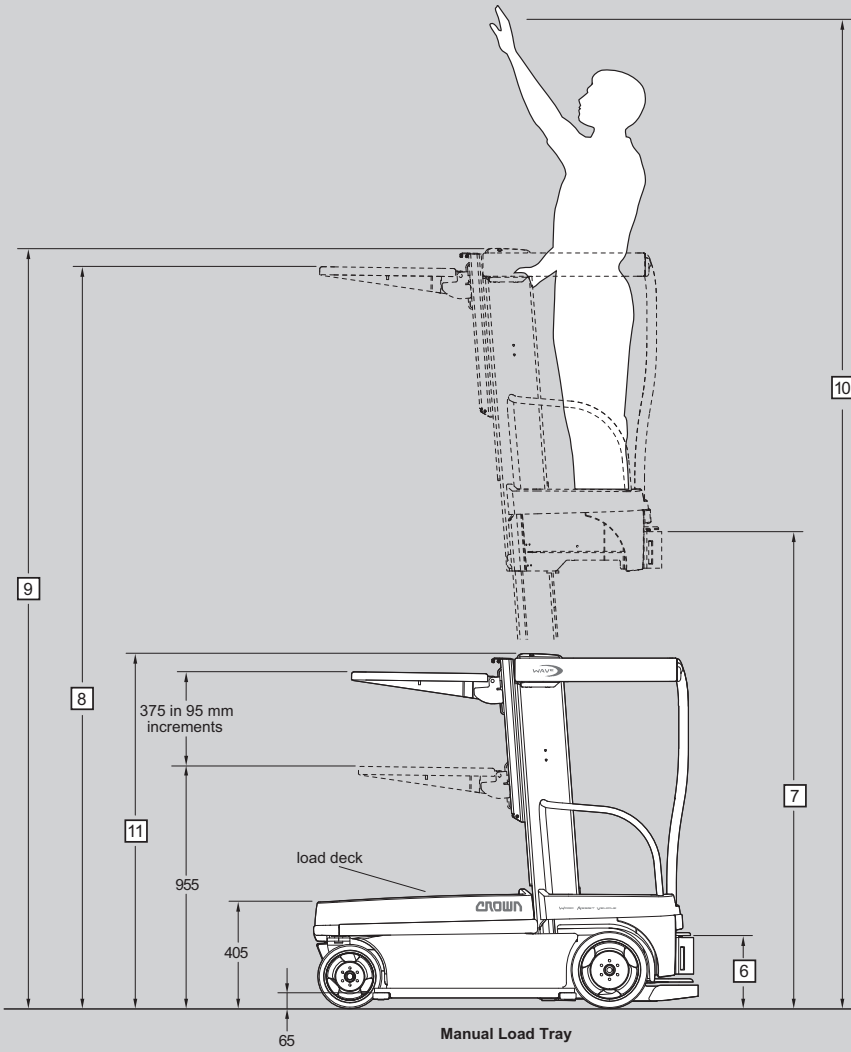
CROWN

WAV 60 SERIES

Specifications

Work Assist Vehicle®





General Information	1	Manufacturer		Crown Equipment Corporation	
	2	Model		WAV 60-118	
	3	Power		24 volts	
	4	Vehicle Capacities	Operator Compartment	kg	135
			Load Tray	kg	90
			Load Deck	kg	115
5	Vehicle Weight	With Battery	kg	645	
6	Platform Step Height		mm	305	
Dimensions	7	Platform Lift Height		mm	2995
	8	Load Tray Height* (With tray at highest position)	Platform fully lowered, manual/powered	mm	1330/1380
			Platform fully raised, manual/powered	mm	4020/4070
	9	Overall Extended Height		mm	4090
	10	Reach Height		mm	5000
	11	Overall Collapsed Height		mm	1400
	12	Vehicle Length		mm	1525
	13	Vehicle Width		mm	750
	14	Vehicle Width	With Rail Guide Rollers	mm	890
			Rail Guide Wheel Height (Top)	mm	65
Rail Guide Wheel Diameter			mm	65	
Rail Guide Wheel Thickness			mm	25	
15	Drive Wheels (d x w)	Poly	mm	(2) 305 Ø x 65 wide	
	Castor Wheels (d x w)	Poly	mm	(2) 255 Ø x 65 wide	
Performance	16	Minimum Turning Radius	mm	1205	
	17	Lift Speed	m/s	0.30	
	17a	Lift Speed	Powered Load Tray	m/s	0.14
	18	Lower Speed		m/s	0.25
	18a	Lower Speed	Powered Load Tray	m/s	0.13
	19	Service Brakes			Regenerative
	20	Parking Brake			Electric Released/Spring Applied
	21	Grade Clearance		%	15%
22	Travel Speeds			See Chart Below	
Batt.	23	Batteries	Maintenance free	Ah	194
	24	Charger	Standard	Amp	30

*Manual Load Tray is 70 mm below top of mast / Powered Load Tray is 20 mm below top of mast

Top Travel Speeds (km/h)

Platform Height Gate Condition

Forward

Below 305/510 mm*	Open	8.0
Below 305/510 mm*	Closed	4.8
305/510 mm* to 2135 mm	Open	0
305/510 mm* to 2135 mm	Closed	3.2
Above 2135 mm	Open	0
Above 2135 mm	Closed	1.6

Reverse

Below 305/510 mm*	Open or Closed	3.2
305/510 mm* to 2135 mm	Open	0
305/510 mm* to 2135 mm	Closed	3.2
Above 2135 mm	Open	0
Above 2135 mm	Closed	1.6

*Programmable

Max. Wheel Loads / Floor Pressure

Laden (135 kg operator, 115 kg load deck, 90 kg load tray)

	Wheel Loads	Floor Pressure
Front Castor Wheel	192 kg	30 kg/cm ²
Rear Drive Wheel	300 kg	24 kg/cm ²

Standard Equipment

1. Crown's Access 1 2 3® Comprehensive System Control
2. 24 volt system
3. Multiple hour meters
 - Travel hours
 - Raise hours
 - Idle hours
 - Configurable planned maintenance timer
4. 194 Ah maintenance free batteries
5. Transistor system controller
6. Lift Limit Switch without or with override
7. Work Assist Storage Tray
8. 30 amp auto start/stop battery charger
9. 2995 mm platform height
10. Key switch
11. Horn
12. Operator storage compartments
13. Alphanumeric display and related icons are used to prompt operator through Crown's safety features. For example... grab controls, depress pedals, close gates, etc.
14. Battery Charging Display on service panel indicating:
 - Abnormal Charge
 - Charging
 - Charge Complete
15. Rabbit/turtle switch
16. Power disconnect button on platform and service panel.
17. Regenerative service brake
18. Electromagnetic park brakes
19. Gate position interlocks
20. Gate alarms
21. Raise and lower control on platform and on the service panel, (floor level)
22. Programmable security power up
23. Auto power shutdown (0 - 90 minute range)
24. Black wheels
25. AC traction motors
26. AC controls
27. InfoPoint System
28. Front, rear and side steel bumpers with rubber overmold
29. Stamped Load Tray

Other Standard Equipment

1. Programme selective forward, reverse, lift and lower alarms
2. Front and rear strobe lights

Safety considerations and dangers associated with audible travel alarms and flashing lights include:

- Multiple alarms and/or lights can cause confusion.
- Workers ignore the alarms and/or lights after day-in and day-out exposure.
- Operator may transfer the responsibility for "looking out" to the pedestrians.
- Annoys operators and pedestrians.

Optional Equipment

1. Retractable battery charger cord
2. Mast storage pockets
3. Mast storage bins
4. Aisle guide roller assembly, 890 mm width
5. Utility hooks
6. Work lights
7. Clip pad
8. Accessory mount
9. Front, rear and side steel bumpers
10. Powered Load Tray
11. Positive/negative accessory cable
12. InfoLink Ready Standard or Advantage
13. Load Tray inserts, wood or plastic
14. Wire Mesh Load Tray
15. InfoLink® Ready
16. Automatic Gate Locks

Operator Interface

The Wave® Work Assist Vehicle® has a comfortable work station for the operator. The floorboard is suspended to absorb shock and vibration, reducing fatigue. Foot and hand interlocks position the operator for good control and safety. Gate interlocks determine open or closed gate conditions and adjust vehicle performance. Vehicle travel speed is reduced as the operator platform elevates. Maximum travel speeds can be reduced to meet the application requirements. An auto power shutdown can be programmed from 0 to 90 minutes to assist in preventive or unauthorised use.

Intelligent Control

A system controller manages vehicle travel, steering, braking, lift/lower and the display. The vehicle operates quietly and efficiently, extending battery charge. Vehicle performance is infinitely variable for excellent control and manoeuvrability.

Steering

The Wave® vehicle has a zero turning radius. A unique steer control interfaces with the operator. The system controller and dual drive units provide exceptional vehicle turning ability.

Braking

Regenerative braking is automatic when drive speed is reduced or when the operator removes a hand from the controls. A parking brake is automatically set one-half second after travel has stopped.

Serviceability

Modular design for servicing keeps the vehicle cost effective. Component access is simple. Battery charger operation is intuitive, with the built-in automatic start/stop. Maintenance-free batteries eliminate battery watering.

Crown's Access 1 2 3 technology provides optimum performance and control by offering a communication interface for both operators and service engineers, intelligent coordination of lift truck systems and simplified service with advanced diagnostics. The Crown display is used for easy troubleshooting, access event history and to set performance features.

Three models of performance can be selected to accommodate operator experience or application requirements.

Durability

Cast steer and load wheels for improved durability. Steel front and rear bumpers offer protection to the truck if an impact would happen. Steel service and side panels. Service panel switch to prevent travel when panel is open.

Safety Regulations

Conforms to European safety standards. Dimensions and performance data given may vary due to manufacturing tolerances. Performance is based on an average size vehicle and is affected by weight, condition of truck, how it is equipped and the conditions of the operating area. Crown products and specifications are subject to change without notice.