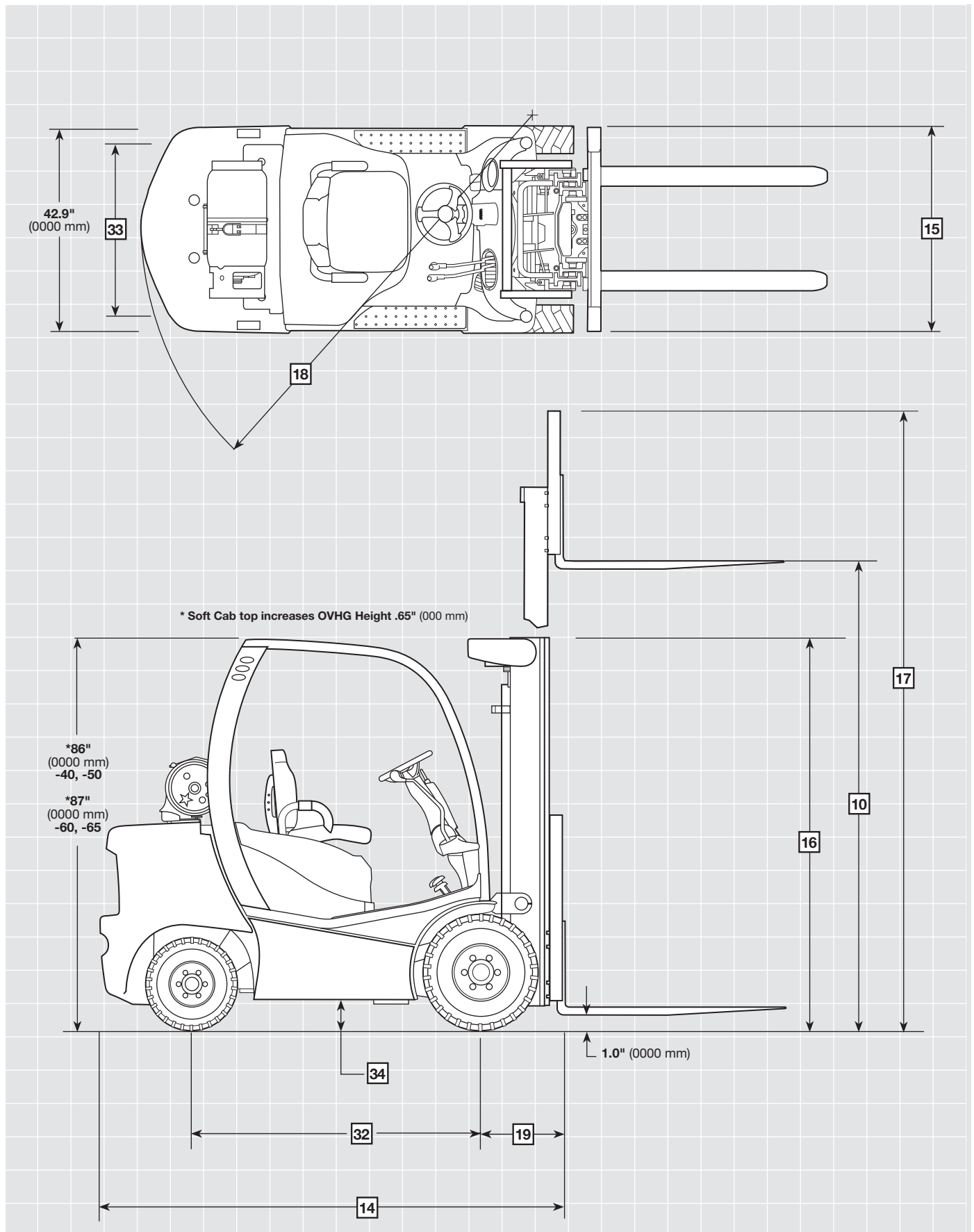


CROWN

C-5 SERIES

Specifications
IC Pneumatic Tire





C-5 Series Pneumatic

Specifications

			Imperial	Metric	Imperial	Metric		
General Information	1	Manufacturer	Crown Equipment Corporation					
	2	Model	C5 1050-40		C5 1050-50			
	3	Load Capacity	lb kg	4000		5000		
	4	Load Center	Fork Face to Load CG	in mm	24		24	
	5	Power (Fuel) Type	Gas, LPG, Diesel	LPG	LPG	LPG	LPG	
	6	Operator Type	Sit-down Rider Counterbalance					
	7	Tire Type		Resilient	Resilient	Resilient	Resilient	
	8	Wheels (x = driven)	Number Front / Rear	2x / 2	2x / 2	2x / 2	2x / 2	
	9	Steering Type		Hydrostatic	Hydrostatic	Hydrostatic	Hydrostatic	
	10	Mast (see table)	Lifting Height (MFH)	in mm	188		188	
	Free Lift Height		in mm	32.2		32.2		
Dimensions	11	Fork Carriage		ITA Class II	ITA Class II	ITA Class II	ITA Class II	
	12	Forks	Standard L x W x T	in mm	42 x 4 x 1.8		42 x 4 x 1.8	
			Optional Lengths	in mm	45, 48, 54, 60	0000, 0000, 0000, 0000	45, 48, 54, 60	0000, 0000, 0000, 0000
	13	Tilt	F / B	degree	5 / 5	5 / 5	5 / 5	5 / 5
			Interlock Fork Height	in mm	95		95	
	14	Head Length	Length to Fork Face	in mm	101.8		102.2	
	15	Width Overall	Standard Tread	in mm	47		47	
			Wide Track	in mm	53.1		53.1	
			Dual Drive	in mm	62.4		62.4	
	16	Height with LBR	Mast Collapsed	in mm	86		86	
17	Height with LBR (see table)	Mast Extended	in mm	236		236		
18	Turning Radius	Outside	in mm	87.5		87.9		
19	Load Distance	Center of Wheel to Fork Face	in mm	17.9		17.9		
20	Aisle Width (Add Load + Clear)	Right Angle Stack	in mm	105.4		105.8		
Performance	21	Speed Travel - Forward	Empty / Loaded	mph km/h	12.2 / 12.2	/	12.2 / 12.2	/
	22	Speed Travel - Reverse	Empty / Loaded	mph km/h	12.2 / 12.2	/	12.2 / 12.2	/
	23	Speed Lift	Empty / Loaded	fpm mm/s	130 / 128	/	130 / 128	/
	24	Speed Lower	Empty / Loaded	fpm mm/s	91 / 93	/	91 / 93	/
Weights	25	Drawbar Pull - Maximum	Empty / Loaded	lb kg	3425		3425	
	26	Gradeability - Maximum	Empty / Loaded	%	21.5 / 28.5	/	18.7 / 23.1	/
	27	Gross Vehicle Weight		lb kg	8616		9440	
Chassis	28	Axle Load Front	Empty / Loaded	lb kg	4729 / 9843	/	4600 / 12,980	/
	29	Axle Load Rear	Empty / Loaded	lb kg	3887 / 2773	/	4840 / 1460	/
	30	Tires	Size Front / Standard, Dual Tire	in mm	7.00 - 12		7.00 - 12	
			Size Front Wide		27 x 10 - 12		27 x 10 - 12	
			Size Rear	in mm	6.00 - 9		6.00 - 9	
	31	Wheelbase		in mm	64		64	
	33	Tread / Track Width	Front Standard / Rear	in mm	40 / 37.5	/	40 / 37.5	/
			Front Optional Wide Tire / Rear	in mm	47 / 37.5	/	47 / 37.5	/
			Front Optional Dual Drive Tire / Rear	in mm	55.4 / 37.5		55.4 / 37.5	
	34	Ground Clearance	Center of Wheelbase	in mm	6.38		6.28	
Under Mast			in mm	5.4		5.3		
35	Brakes	Service		Foot / Hydraulic	Foot / Hydraulic	Foot / Hydraulic	Foot / Hydraulic	
		Parking		Hand / Hydraulic	Hand / Hydraulic	Hand / Hydraulic	Hand / Hydraulic	
Powertrain	36	Battery Volts	V (amps)	12	12	12	12	
	37	Engine	Type	Industrial	Industrial	Industrial	Industrial	
			No. of Cylinders / Displacement / Liters		4 Cyl / 2.4L	4 Cyl / 2.4L	4 Cyl / 2.4L	4 Cyl / 2.4L
			Rated Output (SAE gross)	HP @ rpm	59 @ 2800	59 @ 2800	59 @ 2800	59 @ 2800
			Maximum Torque (SAE)	ft.-lbs @ rpm	125 @ 1400	125 @ 1400	125 @ 1400	125 @ 1400
	41	Transmission	Type		Powershift	Powershift	Powershift	Powershift
			Number of Speeds Forward / Reverse		1 / 1	1 / 1	1 / 1	1 / 1
	42							
43	Auxiliary Function Relief Pressure		psi	2600	2600	2600	2600	

C-5 Series Pneumatic

Specifications

			Imperial	Metric	Imperial	Metric	
General Information	1	Manufacturer	Crown Equipment Corporation				
	2	Model	C5 1050-60		C5 1050-65		
	3	Load Capacity	lb kg	6000		6500	
	4	Load Center	Fork Face to Load CG in mm	24		24	
	5	Power (Fuel) Type	Gas, LPG, Diesel	LPG	LPG	LPG	LPG
	6	Operator Type		Sit-down Rider Counterbalance			
	7	Tire Type		Resilient	Resilient	Resilient	Resilient
	8	Wheels (x = driven)	Number Front / Rear	2x / 2	2x / 2	2x / 2	2x / 2
	9	Steering Type		Hydrostatic	Hydrostatic	Hydrostatic	Hydrostatic
	10	Mast (see table)	Lifting Height (MFH) in mm Free Lift Height in mm	180 32.2		171 32.2	
Dimensions	11	Fork Carriage		ITA Class III	ITA Class III	ITA Class III	ITA Class III
	12	Forks	Standard L x W x T in mm	42 x 5 x 1.8		42 x 5 x 1.8	
			Optional Lengths in mm	45, 48, 54, 60	0000, 0000, 0000, 0000	45, 48, 54, 60	0000, 0000, 0000, 0000
	13	Tilt	F / B degree	5 / 5		5 / 5	
			Interlock Fork Height in mm	95		95	
	14	Head Length	Length to Fork Face in mm	106.3		107.1	
	15	Width Overall	Standard Tread in mm	50.9		50.9	
			Wide Track in mm	56.4		56.4	
			Dual Drive in mm	69.5		69.5	
	16	Height with LBR	Mast Collapsed in mm	86		86	
17	Height with LBR (see table)	Mast Extended in mm	228		219		
18	Turning Radius	Outside in mm	92.7		93.8		
19	Load Distance	Center of Wheel to Fork Face in mm	18.2		18.2		
20	Aisle Width (Add Load + Clear)	Right Angle Stack in mm	110.9		112.0		
Weights Performance	21	Speed Travel - Forward	Empty / Loaded mph km/h	12.2 / 12.2	/	12.2 / 12.2	/
	22	Speed Travel - Reverse	Empty / Loaded mph km/h	12.2 / 12.2	/	12.2 / 12.2	/
	23	Speed Lift	Empty / Loaded fpm mm/s	130 / 128	/	130 / 128	/
	24	Speed Lower	Empty / Loaded fpm mm/s	91 / 93	/	91 / 93	/
	25	Drawbar Pull - Maximum	Empty / Loaded lb kg	3425		3425	
	26	Gradeability - Maximum	Empty / Loaded %	16.7 / 18.7		15.9 / 16.6	
	27	Gross Vehicle Weight	lb kg	10,470		10,889	
Chassis	28	Axle Load Front	Empty / Loaded lb kg	4920 / 14,775		4833 / 14,264	
	29	Axle Load Rear	Empty / Loaded lb kg	5550 / 1695		6056 / 3125	
	30	Tires	Size Front / Standard, Dual Tire in mm	28 x 9 - 15		28 x 9 - 15	
			Size Front Wide in mm	355 / 45 - 15		355 / 45 - 15	
			Size Rear in mm	6.50 - 10		6.50 - 10	
	31						
	32	Wheelbase	in mm	66.9		66.9	
	33	Tread / Track Width	Front Standard / Rear in mm	42.2 / 37.7		42.2 / 37.7	
			Front Optional Wide Tire / Rear in mm	49.2 / 37.7		49.2 / 37.7	
			Front Optional Dual Drive Tire / Rear in mm	60.7 / 37.7		60.7 / 37.7	
34	Ground Clearance	Center of Wheelbase in mm	7.06		7.04		
		Under Mast in mm	6.0		6.0		
35	Brakes	Service	Foot / Hydraulic	Foot / Hydraulic	Foot / Hydraulic	Foot / Hydraulic	
		Parking	Hand / Hydraulic	Hand / Hydraulic	Hand / Hydraulic	Hand / Hydraulic	
Powertrain	36	Battery Volts	V (amps)	12		12	
	37	Engine	Type	Industrial		Industrial	
			No. of Cylinders / Displacement / Liters	4 Cyl / 2.4L		4 Cyl / 2.4L	
			Rated Output (SAE gross) HP @ rpm	59 @ 2800		59 @ 2800	
	39						
	40		Maximum Torque (SAE) ft.-lbs @ rpm	125 @ 1400		125 @ 1400	
	41	Transmission	Type	Powershift		Powershift	
Number of Speeds Forward / Reverse			1 / 1		1 / 1		
42							
43	Auxiliary Function Relief Pressure	psi	3100		3100		

C-5 Series Pneumatic

Specifications

Mast Charts

4000 lb capacity (0000 kg)			TL TRUCKERS MAST						TL		
9	Lift Height	in mm	68	76	80	82	112	126	138	150	
11	Free Lift Height*	in mm	5.8	5.8	5.8	5.8	5.8	6	6	6	
14	Interlocked Fork Height	in mm	na	na	na	na	na	78	78	78	
17	Mast Collapsed Height	in mm	57	61	63	64	79	86	92	98	
18	Mast Extended Height*	in mm	116	124	128	130	160	174	186	198	

4000 lb capacity (0000 kg)			TL (Continued)				TT			
9	Lift Height	in mm	155	159	170	183	188	206	216	231
11	Free Lift Height*	in mm	6	6	6	6	32.2	38.2	44.2	50.2
14	Interlocked Fork Height	in mm	78	78	78	78	95	95	95	95
17	Mast Collapsed Height	in mm	104	110	116	122	86	92	98	104
18	Mast Extended Height*	in mm	203	207	218	231	236	254	264	279

4000 lb capacity (0000 kg)			TT (Continued)				QUAD			
9	Lift Height	in mm	246	258	276	240	258	276	294	
11	Free Lift Height*	in mm	56.2	62.2	68.2	31.8	39.8	43.8	49.8	
14	Interlocked Fork Height	in mm	95	96	102	76	82	88	94	
17	Mast Collapsed Height	in mm	110	116	122	86	92	98	104	
18	Mast Extended Height*	in mm	294	306	324	288	306	324	342	

* Includes 48" (0000 mm) load backrest

Mast Charts

5000 lb capacity (0000 kg)			TL TRUCKERS MAST						TL		
9	Lift Height	in mm	68	76	80	82	112	126	138	150	
11	Free Lift Height*	in mm	5.8	5.8	5.8	5.8	5.8	6	6	6	
14	Interlocked Fork Height	in mm	na	na	na	na	na	78	78	78	
17	Mast Collapsed Height	in mm	57	61	63	64	79	86	92	98	
18	Mast Extended Height*	in mm	116	124	128	130	160	174	186	198	

5000 lb capacity (0000 kg)			TL (Continued)				TT			
9	Lift Height	in mm	155	159	170	183	188	206	216	231
11	Free Lift Height*	in mm	6	6	6	6	32.2	38.2	44.2	50.2
14	Interlocked Fork Height	in mm	78	78	78	78	95	95	95	95
17	Mast Collapsed Height	in mm	104	110	116	122	86	92	98	104
18	Mast Extended Height*	in mm	203	207	218	231	236	254	264	279

5000 lb capacity (0000 kg)			TT (Continued)				QUAD			
9	Lift Height	in mm	246	258	276	240	258	276	294	
11	Free Lift Height*	in mm	56.2	62.2	68.2	31.8	39.8	43.8	49.8	
14	Interlocked Fork Height	in mm	95	96	102	76	82	88	94	
17	Mast Collapsed Height	in mm	110	116	122	86	92	98	104	
18	Mast Extended Height*	in mm	294	306	324	288	306	324	342	

* Includes 48" (0000 mm) load backrest

C-5 Series Pneumatic

Specifications

Mast Charts

6000 lb capacity (0000 kg)			TL TRUCKERS MAST						TL			
9	Lift Height	in mm	60	68	72	100		118	130	142		
11	Free Lift Height*	in mm	5.8	5.8	5.8	5.8		6	6	6		
14	Interlocked Fork Height	in mm	na	na	na	na		78	78	78		
17	Mast Collapsed Height	in mm	57	61	63	77		86	92	98		
18	Mast Extended Height*	in mm	108	116	120	148		166	178	190		

6000 lb capacity (0000 kg)			TL (Continued)						TT			
9	Lift Height	in mm	150	159	170	183		180	198	208		
11	Free Lift Height*	in mm	6	6	6	6		32.2	38.2	44.2		
14	Interlocked Fork Height	in mm	78	78	78	78		95	95	95		
17	Mast Collapsed Height	in mm	104	110	116	122		86	92	98		
18	Mast Extended Height*	in mm	198	207	218	231		228	246	256		

6000 lb capacity (0000 kg)			TT (Continued)						QUAD**			
9	Lift Height	in mm	223	238	250	240	258	276	294			
11	Free Lift Height*	in mm	50.2	56.2	62.2	31.8	39.8	43.8	49.8			
14	Interlocked Fork Height	in mm	95	95	96	76	82	88	94			
17	Mast Collapsed Height	in mm	104	110	116	86	92	98	104			
18	Mast Extended Height*	in mm	271	286	298	288	306	324	342			

* Includes 48" (0000 mm) load backrest

** Decreased capacity, 4500 lb (0000 kg) mast on a 6000 lb (0000 kg) chassis

Mast Charts

6500 lb capacity (0000 kg)			TL TRUCKERS MAST					
9	Lift Height	in mm	57	65	69	97		
11	Free Lift Height*	in mm	5.8	5.8	5.8	5.8		
14	Interlocked Fork Height	in mm	na	na	na	na		
17	Mast Collapsed Height	in mm	57	61	63	77		
18	Mast Extended Height*	in mm	105	113	117	148		

6500 lb capacity (0000 kg)			TL						
9	Lift Height	in mm	115	126	139	150	159	170	183
11	Free Lift Height*	in mm	6	6	6	6	6	6	6
14	Interlocked Fork Height	in mm	78	78	78	78	78	78	78
17	Mast Collapsed Height	in mm	86	92	98	104	110	116	122
18	Mast Extended Height*	in mm	163	174	187	198	207	218	231

6500 lb capacity (0000 kg)			TT						
9	Lift Height	in mm	171	189	199	214	229	241	
11	Free Lift Height*	in mm	32.2	38.2	44.2	50.2	56.2	62.2	
14	Interlocked Fork Height	in mm	95	95	95	95	95	96	
17	Mast Collapsed Height	in mm	86	92	98	104	110	116	
18	Mast Extended Height*	in mm	219	237	247	262	277	289	

* Includes 48" (0000 mm) load backrest

C-5 Series Pneumatic

Technical Information

Standard Features

1. Industrial 2.4L LPG engine compliant to current EPA standards
2. Hydrodynamic transaxle with 16.17 ratio
3. Dual open core radiator
4. Crown's Access 1 2 3® Comprehensive Control System
5. Intrinsic Stability System™
 - Greater Mass and Low Center of Gravity
 - Tilt Interlock
 - Tilt Speed Control
 - Stalled Engine Braking and Steering
 - Hill Hold
6. Top speed limiter
7. Corrosion Resistant Chain with high performance chain lube
8. Fold down LP bottle bracket
9. Two pedal control with combination inching/brake
10. Operator compartment design features
 - Low cowl for fork and floor visibility
 - Wide placed overhead guard uprights reduce visual interference
 - Isomounted overhead guard reduces vibration
 - Crown FlexSeat™ with hip restraint and anti-cinch seat belt
 - Infinitely adjustable steering wheel column
 - Nylon covered control handles with tactile feedback
 - Natural position for forward/reverse selector
 - Rubber floor mat/rubber covered pedals
 - Mud Scraper and Step Plate
11. Operator entry/exit
 - Extra wide step
 - Large entry/exit window
 - Overhead guard post for easy hand hold
 - Contoured seat deck
 - Compact tilt steering wheel and column
 - Large uncluttered floorboard
12. 48" (0000 mm) load backrest
13. 42" (0000 mm) forks
14. 44" (0000 mm) wide fork carriage with upper and lower thrust rollers
15. High visibility mast with in-line hose routing
16. Hour meter/event memory
17. No tool lift out floor boards
18. Three spool valve
19. O-ring face seal hydraulic fittings
20. Color-coded wiring
21. 12-volt alternator
22. Solid Pneumatic Tires
23. Crown Power Brakes
24. Rigid mounted heavy duty steer axle with grease zerks
25. Single element air cleaner
26. Severe duty battery
27. Low LP fuel level indicator
28. Air filter restriction indicator
29. Tow pin
30. Horn
31. Radiator Grill

Optional Equipment

1. On-Demand Cooling
2. Wet cell battery
3. TL mast (2-stage)
4. Quad mast (4-stage)
5. TL - Truckers Mast
6. Polished and full taper forks (36", 45", 48", 54" and 60") (0000, 0000, 0000, 0000 and 0000 mm)
7. Quick disconnect hydraulic connections
8. Attachment pressure regulator and gauge
9. Special tilt
10. Load backrest heights (45" and 60") (0000 and 0000 mm)
11. Accessory hydraulics and attachments
12. Work lights (Halogen or LED)
13. Strobe light (Halogen or LED)
14. Back-up and brake lights
15. Turn Signals
16. Smart travel alarm – Reverse
17. Keyless on/off switch
18. Fixed LP bottle bracket
19. Rear Post Handle with Horn Button
20. Suspension seat – fabric or vinyl
21. Work Assist® Accessories
 - Pad clip and hook
 - Accessory clamp
 - Terminal mounting
 - Fire extinguisher
 - Operator fan
 - Mirrors
 - Cup holder
 - Shrink wrap holder
 - Storage net or pocket behind seat
 - Pencil holder
22. Three pedal control with separate inching/brake
23. Radiator screen
24. Air intake pre-cleaner
25. Belly pan
26. Engine block heater
27. Positive/Negative accessory cable
28. Spinner knob
29. InfoLink®
30. Counterweight Grill
31. Mirrors – Plastic or Glass
32. 53" (0000 mm) wide carriage

33. LPS, NFPA505 rating
34. Steer Axle with Sealed Bearings
35. Wide tread drive tires
36. Dual drive tires
37. Adjustable Armrest

Drivability

The C-5 Series benefits from design and engineering excellence. Numerous features improve operator comfort and productivity.

First, a wide entry step greets the operator and leads to the V-contoured engine cover that allows the operator to easily glide into the truck's seat. The curved posts of the overhead guard open up the entry/exit window and provide a comfortable grip location for a variety of operator heights. Further facilitating entry/exit is a spring-loaded, tilt steering column that easily moves up and away. The spacious floor board is uncluttered and includes a webbed floor mat that insulates the operator from vibration and heat. Additional operator comfort is achieved through reduced inching and brake pedal efforts along with a lower pedal height off the floor.

Crown's Intrinsic Stability System™ achieves improved operator confidence through a proactive approach to safety and stability. Integrated into the truck's components and control system, Crown's Intrinsic Stability System™ includes the following features:

- Greater Mass and Low Center of Gravity
- Tilt Interlock
- Tilt Speed Control
- Stalled Engine Braking and Steering
- Hill Hold

Improved visibility can reduce product and pallet damage. The C-5 features excellent visibility everywhere you look: a low cowl for fork and carriage visibility, a high visibility mast, a compact steering column, a sculpted floor-board design, an overhead guard top plate and bar configuration and a low LP bottle height.

The control handles are crafted into the compartment and designed to provide tactile feedback for easy selection. Actuation forces are minimal and responsive. The parking brake with tone alert enhances operator entry/exit and naturally encourages its use. A large convex horn button is housed in the center of the steering wheel. Isolation systems for the engine and the

operator cell virtually eliminate all vibrations to the operator. Hot air is directed away from the operator by a large counterweight opening with a wedge deflector.

Powertrain

Derived from a diesel engine, the C-5 Series features an Industrial in-line 4 cylinder 2.4L emissions compliant LPG engine. This heavy duty industrial engine includes a heat resistant cast iron block and head. The 8 quart (000 mL) oil capacity and standard engine oil cooler offer additional cooling for improved thermal capacity and extended component life. A gear-driven valve train and auxiliary pump eliminates belt or chain adjustments. Operator comfort is further increased through internal balancing of the engine.

The Carraro TA135 single speed power shift transmission offers an optimized gear construction for low noise and vibrations and increased efficiency. The robust design of the Carraro transmission includes forged gears and drive shaft, ductile iron axle, differential support housings and high temperature seals and o-rings, all contributing to increased life and durability.

Cooling

A standard Dual Open Core radiator offers separate cooling for the engine and transmission and is isolated from the truck, separating it from impact and improving radiator life. The open core feature offers large spacing between cooling fins for reduced clogging. Air flow is maximized by a ten-blade fan that increases radiator performance and efficiency. The full fan shroud surrounds the radiator core surface. Its two-piece design aids in serviceability and is sealed to prevent air flow from bypassing the radiator core. Air flow is further maximized by the custom venturi shroud design that directs air over the entire surface of the radiator.

Crown's optional On-Demand Cooling System delivers precise cooling and radiator clearing for economical savings and uptime in harsh environment applications. Precise cooling is achieved through an independent radiator fan that automatically adjusts its speed to manage engine and transmission temperatures. The independent fan also allows for optimal radiator clearing by reversing its direction at engine start.

C-5 Series Pneumatic

Crown Power Brake

The Crown Power Brake is a unique hydraulic powered, full circle brake with few parts and larger friction areas that contribute to longer brake life. This design reduces operator pedal effort, improves brake responsiveness and features direct and easy access to the friction pad, which reduces downtime for brake maintenance. The parking brake is an integral part of the service brake and is activated by a one-touch push button located on the cowl to the right of the steer wheel column. A tone alert reminder is standard.

Hydraulics

The C-5 Series' premium hydraulic function control valve provides a precise metering of lift, tilt and accessory functions, without sacrificing operator comfort. Operator stress is reduced through minimal hydraulic lever actuation.

Crown's lift/tilt interlock system provides extended forward tilt at low fork heights and reduced forward tilt at elevated heights for improved truck stability. The interlock system also inhibits accidental hydraulic functions when the operator is out of the seat. The tilt compensator maintains proper tilt speed control under all load conditions.

The modular design of the control valves allows for easy addition of accessory functions. Maximum lowering speed is limited by a pressure compensating flow control valve and velocity fuses. Integrated hydraulic cylinder cushions soften mast staging. All lift cylinder rams are plated and when the forks are lowered, retract into the hydraulic oil for additional corrosion protection.

The steel oil reservoir is integral to the frame, aiding in the dissipation of hydraulic oil heat. This clean, leak-free design includes a suction strainer with separate, easily accessible fill port and dipstick with a dual filtered breather. Hydraulic oil is returned through an environmentally friendly cartridge filter, which is easily serviced.

A 2-stage filtration system on the breather/dipstick offers superior protection from contamination to the hydraulic oil and from oil misting, which could create a dirty residue on the inside of the engine compartment.

The steering and power brake systems are also hydraulic powered, assisting in the reduction of operator fatigue and improved productivity.

Crown Manufactured Mast Assembly

The heavy-duty mast of the C-5 Series is engineered to provide smooth, reliable operation without compromising strength or quality. The large, rugged mast trunnions are mounted on the drive axle. Securing the mast are extra heavy tilt cylinders with self-aligning bushings. Crown's high visibility mast features a nested-rail design with lift cylinders positioned behind the rails. In-line hose routing also reduces visual interference. Large hydraulic hose pulleys and hose placement are engineered to reduce hose wear and increase hose life. Large lift chains are used for long reliable service life. Class II and III fork carriages are available. Optional TL or quad masts are also available.

Steering

A fully hydrostatic steering system with equal area and double-acting cylinder provides an equally responsive steering rate both ways (4.8 turns lock to lock). The rugged axle frame, forged spindle and connecting links eliminate the need for adjustment. A two-piece spindle and kingpin with tapered roller bearings improves life and serviceability. Spherical bearings with straight pins in the connecting links eliminate any play in the linkage. All bearing locations are sealed to exclude contaminants and are equipped with lubrication fittings for ease of service.

Electrical System

The C-5 Series comes with a standard Severe Duty wet cell battery that provides 510 cold cranking amps and a 2 year full replacement warranty. An optional 12-volt wet battery is also available.

Exclusive on-board information and diagnostics system includes fully integrated Access 1 2 3 Comprehensive Control System with CAN Bus communication. Features include:

- Engine Diagnostics
- Truck Level Diagnostics
- Component Analyzer
- Password Protection
- Speed Control Features
- Performance Modes
- Operator PIN Codes

Crown display is fully integrated giving the operator and service technician real time information and messaging for event codes, fuel level, truck hours or real time speed. The alpha-numeric display serves as the communication nerve center with the following indicator lights:

- Alternator/Battery
- Malfunction
- Seat Belt
- Park Brake Status
- Low Oil Pressure
- High Transmission Temperature
- Engine Coolant Temperature
- Multi Stage Fuel Level Lights

All wire harnesses are wrapped with corrugated sleeving and are fully sealed with ultrasonically welded connections for improved reliability and durability. All electrical connectors are sealed to IP67.

Other Options

1. Audible travel alarm
2. Flashing Lights

Safety considerations and dangers associated with audible alarms and flashing lights include:

- Multiple alarms and/or lights can cause confusion
- Workers ignore the alarms and/or lights after day-in and day-out exposure
- Operator may transfer the responsibility for looking out for pedestrians
- Annoys operators and pedestrians

You can count on Crown to build lift trucks designed for safe operation, but that's only part of the safety equation. Crown encourages safe operating practices through ongoing operator training, safety-focused supervision, maintenance and a safe working environment. Go to crown.com and view our safety section to learn more.

Technical Information

Hard Cabin

Factory Installed Standard Cab Features include:

- Removable Doors
- 12-volt Power Supply
- Heater
- Dome Light
- Door Locks
- Front and Rear Wiper/Washer
- Rear Window Defrost
- Work Assist Rail

Does not increase OVHG height.

Soft Cabin

Standard Soft Cab features include:

- Safety Glass Windshield with Wiper/Washer
- Plexiglass Top
- Soft-sided Doors with Zipper Open/Closed/Roll Up
- Soft Rear Zipper Window, Rolls Up

Other Options Available

Additional options are available. Please contact your local Crown dealer for further information.

Dimensions and performance data given may vary due to manufacturing tolerances. Performance is based on an average size vehicle and is affected by weight, condition of vehicle, how it is equipped and the conditions of the operating area. Products and specifications are subject to change without notice.

Crown Equipment Corporation

New Bremen, Ohio 45869 USA

Tel 419-629-2311

Fax 419-629-3796

crown.com

Because Crown is continually improving its products, specifications are subject to change without notice.

Crown, the Crown logo, the color beige, the Momentum symbol, Access 1 2 3, InfoLink, Work Assist, FlexSeat, Intrinsic Stability System and eSmart are trademarks of Crown Equipment Corporation. Other trademarks are owned by their manufacturers.

Copyright 2010-2018 Crown Equipment Corporation SF18439 Rev. 04-18 Printed in U.S.A.