

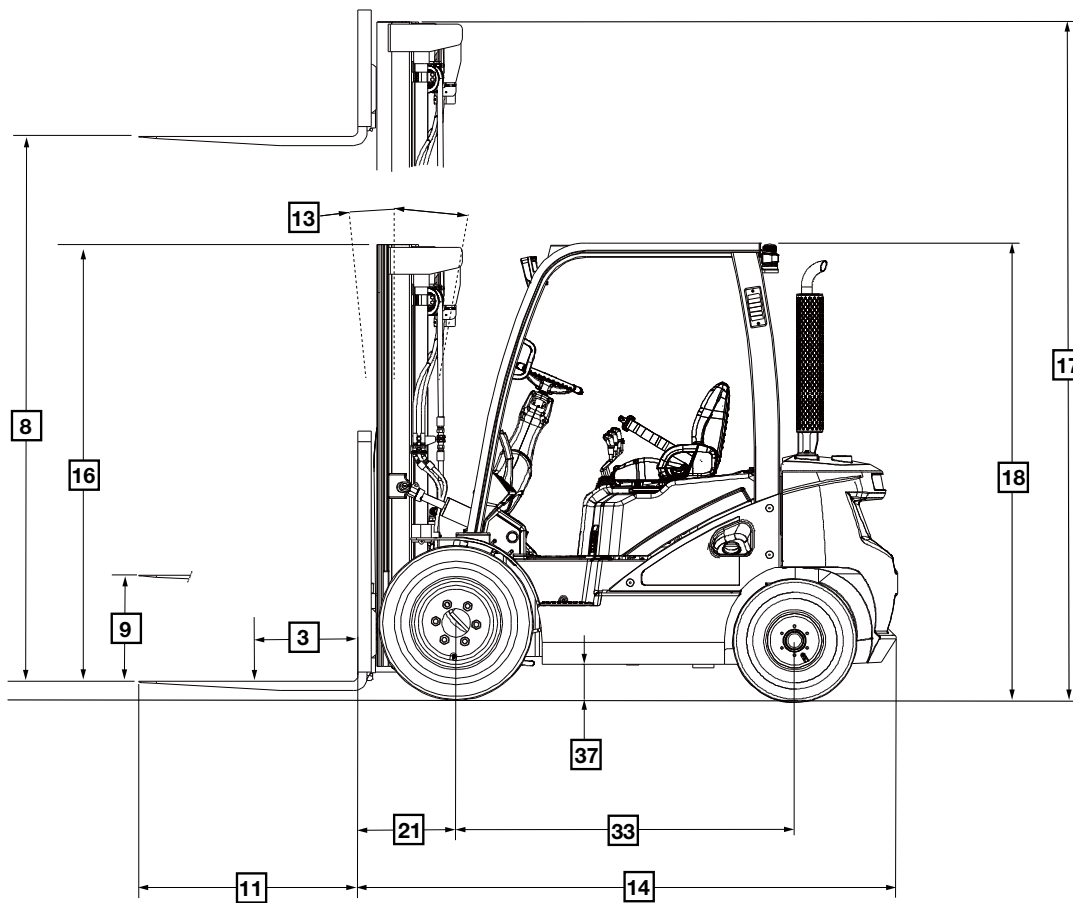
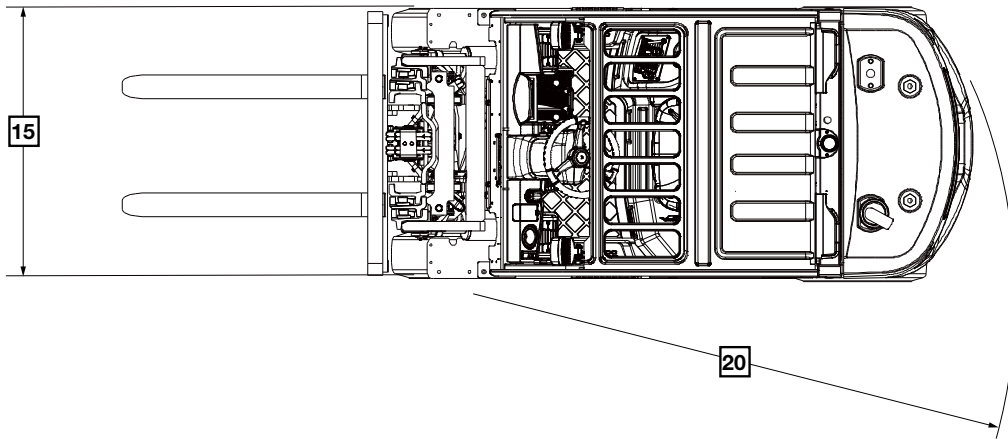
CROWN

C-D

8,000-12,000 lb. Capacity
IC Pneumatic Tire

Specifications





C-D Series

Specifications

				CD35S-7	CD40S-7	CD45S-7	CD50C-7	CD55C-7		
Characteristics	1	Model								
	2	Load Capacity	At Rated Load Center	lb (kg)	8,000 (3,500)	9,000 (4,000)	10,000 (4,500)	11,000 (5,000)	12,000 (5,500)	
	3	Load Center	Distance	in (mm)	24 (600)	24 (600)	24 (600)	24 (600)	24 (600)	
	4	Power Type	Elec, Diesel, LPG, Gasoline		Diesel	Diesel	Diesel	Diesel	Diesel	
	5	Operator Type			Sit-down	Sit-down	Sit-down	Sit-down	Sit-down	
	6	Tire Type	P:Pneumatic		P	P	P	P	P	
	7	Wheels (x = driven)	Front / Rear		x 2 / 2	x 2 / 2	x 2 / 2	x 2 / 2	x 2 / 2	
Dimensions	8	Maximum Fork Ht.	with Std 2-Stage Mast	in (mm)	118.1 (3,000)	118.1 (3,000)	118.1 (3,000)	120 (3,050)	120 (3,050)	
	9	Free Lift		in (mm)	6.3 (160)	6.3 (160)	6.3 (160)	6.7 (170)	6.7 (170)	
	10	Fork Carriage	ISO Class		III	III	IV	IV	IV	
	11	Forks	Length x Width x Thickness	in (mm)	41.3x5.9x2.0 (1,050x150x50)	41.3x5.9x2.0 (1,050x150x50)	47.2x5.9x2.0 (1,200x150x50)	47.2x5.9x2.4 (1,200x150x60)	47.2x5.9x2.4 (1,200x150x60)	
	12		Fork Carriage Width	in (mm)	49.2 (1,250)	49.2 (1,250)	52.4 (1,330)	52.4 (1,330)	52.4 (1,330)	
	13	Tilt of Mast	Forward / Backward		deg	8 / 10	8 / 10	8 / 10	8 / 10	
	14	Overall Dimensions	Length to Fork Face	in (mm)	123 (3,115)	125 (3,165)	129 (3,280)	131 (3,325)	132 (3,350)	
	15		Overall Width	in (mm)	54 (1,370)	57 (1,455)	57 (1,455)	57 (1,455)	57 (1,455)	
	16		Mast Lowered Height	in (mm)	89 (2,225)	88 (2,230)	88 (2,230)	94 (2,380)	94 (2,380)	
	17		Mast Extended Height	in (mm)	167.9 (4,265)	168.1 (4,270)	174.0 (4,420)	176.0 (4,470)	176.0 (4,470)	
	18		Overhead Guard Height	in (mm)	87.6 (2,225)	87.8 (2,230)	87.8 (2,230)	87.8 (2,230)	87.8 (2,230)	
	19		Seat Height	in (mm)	49.1 (1,248)	49.4 (1,255)	49.4 (1,255)	49.4 (1,255)	49.4 (1,255)	
20	Turning Radius	Minimum Outside		in (mm)	110 (2,782)	112 (2,845)	113 (2,870)	115 (2,921)	117 (2,972)	
21	Load Moment Constant			in (mm)	22 (560)	22 (560)	22 (560)	23 (570)	23 (570)	
Performance	22	Travel Speed	Loaded / Unloaded	mph (km/h)	15.5 / 16.8 (25.0 / 27.0)	15.5 / 16.8 (25.0 / 27.0)	15.5 / 16.8 (25.0 / 27.0)	15.5 / 16.8 (25.0 / 27.0)	15.5 / 16.8 (25.0 / 27.0)	
	23	Lifting Speed	Loaded / Unloaded	fpm (mm/s)	110 / 118 (560 / 600)	108 / 118 (550 / 600)	106 / 118 (540 / 600)	104 / 117 (530 / 600)	103 / 117 (520 / 600)	
	24	Lowering Speed	Loaded / Unloaded	fpm (mm/s)	89 / 98 (450 / 500)	89 / 98 (450 / 500)	89 / 98 (450 / 500)	89 / 98 (450 / 500)	88 / 98 (450 / 500)	
	25	Max Drawbar Pull	Loaded at 1.0 mph (1.6 km/h)	lb (kg)	8,630 (3,915)	8,500 (3,855)	8,520 (3,865)	8,430 (3,824)	8,430 (3,824)	
	26	Max Gradeability	Loaded at 1.0 mph (1.6 km/h)	%	44.7	39.9	36.2	32.7	30.1	
Weight	27	Total Weight	Unloaded		lb (kg)	13,315 (6,040)	14,100 (6,400)	15,168 (6,880)	16,270 (7,380)	17,031 (7,725)
	28	Axle Load	Loaded, Front / Rear	lb (kg)	18,387 / 2,646 (8,340 / 1,200)	20,073 / 2,855 (9,105 / 1,295)	22,046 / 3,042 (10,000 / 1,380)	23,920 / 3,252 (10,850 / 1,475)	25,662 / 3,494 (11,640 / 1,585)	
	29		Unloaded, Front / Rear	lb (kg)	5,953 / 7,363 (2,700 / 3,340)	5,886 / 8,223 (2,670 / 3,730)	6,371 / 8,796 (2,890 / 3,990)	6,768 / 9,381 (3,070 / 4,225)	7,132 / 9,899 (3,235 / 4,490)	
Chassis	30	Tires	Size, Front Single		8.25x15-14	11.8x15-18	11.8x15-18	11.8x15-18	11.8x15-18	
	31		Dual (Option)		7.50x16-12	7.50x16-12	7.50x16-12	7.50x16-12	7.50x16-12	
	32		Size, Rear		7.00x12-12	7.00x12-12	7.00x12-12	7.00x12-14	7.00x12-14	
	33	Wheelbase	Distance	in (mm)	79 (2,015)	79 (2,015)	83 (2,115)	83 (2,115)	83 (2,115)	
	34	Tread Width	Front	in (mm)	44.9 / 50.8 (1,140 / 1,290)	45.4 / 50.8 (1,155 / 1,290)	45.4 / 50.8 (1,155 / 1,290)	45.4 / 50.8 (1,155 / 1,290)	45.4 / 50.8 (1,155 / 1,290)	
	35		Rear	in (mm)	43.9 (1,115)	43.9 (1,115)	43.9 (1,115)	43.9 (1,115)	43.9 (1,115)	
	36	Ground Clearance	Loaded at the lowest point	in (mm)	5.9 (150)	6.3 (160)	6.3 (160)	6.3 (160)	6.3 (160)	
	37		Loaded at center of wheelbase	in (mm)	8 (205)	8 (205)	8 (205)	8 (205)	8 (205)	
	38	Brakes	Service		Foot / Hyd	Foot / Hyd	Foot / Hyd	Foot / Hyd	Foot / Hyd	
39	Parking		Ratchet	Ratchet	Ratchet	Ratchet	Ratchet			
Power Train	40	Battery	Voltage / Ampere	V/AH	12 / 100	12 / 100	12 / 100	12 / 100	12 / 100	
	41	Engine	Manufacturer / Model		D34NAP	D34NAP	D34NAP	D34NAP	D34NAP	
	42		Rated Output (at rpm)	HP/rpm	73.7 / 2,450	73.7 / 2,450	73.7 / 2,450	73.7 / 2,450	73.7 / 2,450	
	43		Maximum Torque	n_m/rpm	243 / 1,600	243 / 1,600	243 / 1,600	243 / 1,600	243 / 1,600	
	44		Cycle/Cylinders/Displacements	CC	4 / 4 / 3,409	4 / 4 / 3,409	4 / 4 / 3,409	4 / 4 / 3,409	4 / 4 / 3,409	
	45	Transmission	Type		Powershift	Powershift	Powershift	Powershift	Powershift	
	45		Number of Speeds (Fwd / Rev)		2 / 2	2 / 2	2 / 2	2 / 2	2 / 2	
	46	Attachments	Oil Volume	gpm (l/min)	21.1 (80)	21.1 (80)	21.1 (80)	21.1 (80)	21.1 (80)	
46	Operating Pressure		psi (bar)	2320 (160)	2320 (160)	2320 (160)	2320 (160)	2320 (160)		
47	Fuel Tank Capacity			gal (l)	31 / 118	31 / 118	35 / 131	35 / 131	35 / 131	

Note: Specification values quoted in this specification sheet have been rounded. Performance may vary due to operation conditions. Products and specifications are subject to improvement and change without prior notices.

C-D Series

Specifications

Mast Chart CD35S-7

Mast Type	Maximum Fork Height		Maximum Lowered Height		Fully Extended Height		Free Lift		Rated Load Capacities									
									CD35S-7									
					With Load Backrest		With Load Backrest		Tilt Angle				Load Capacities					
									Single Pneu.		Double Pneu.		Single Pneu.			Double Pneu.		
FWD	BWD	FWD	BWD	LC24in	LC500mm	LC600mm	LC24in	LC500mm	LC600mm									
in	mm	in	mm	in	mm	in	mm	deg	deg	deg	deg	lb	kg	kg	lb	kg	kg	
TL	118	3000	88	2225	168	4265	6	160	8	10	8	10	8000	4000	3655	8000	4000	3655
	130	3300	94	2375	180	4565	6	160	8	10	8	10	8000	4000	3655	8000	4000	3655
	144	3650	100	2550	194	4915	6	160	8	10	8	10	8000	4000	3655	8000	4000	3655
	157	4000	113	2875	207	5265	6	160	8	10	8	10	8000	4000	3655	8000	4000	3655
	167	4250	118	3000	217	5515	6	160	8	10	8	10	8000	4000	3655	8000	4000	3655
191	4850	136	3450	241	6115	6	160	8	8	8	10	7700	3850	3520	7750	3875	3545	
TF	118	3000	87	2205	167	4250	40	1005	8	10	8	10	8000	4000	3660	8000	4000	3660
TT	157	4000	82	2090	207	5265	35	890	8	8	8	8	7950	3975	3645	8000	4000	3670
	167	4250	86	2175	218	5530	38	975	8	8	8	8	7800	3900	3575	7900	3950	3625
	185	4700	92	2325	235	5980	44	1125	8	8	8	8	7550	3775	3465	7600	3800	3485
	203	5150	97	2475	253	6430	50	1275	8	5	8	8	7300	3650	3350	7350	3675	3370
	220	5600	103	2625	271	6880	56	1425	8	3	8	8	7050	3525	3235	7100	3550	3255
238	6050	109	2775	289	7330	62	1575	8	3	8	5	6150	3075	2820	6900	3450	3165	

Mast Chart CD40S-7

Mast Type	Maximum Fork Height		Maximum Lowered Height		Fully Extended Height		Free Lift		Rated Load Capacities									
									CD40S-7									
					With Load Backrest		With Load Backrest		Tilt Angle				Load Capacities					
									Single Pneu.		Double Pneu.		Single Pneu.			Double Pneu.		
FWD	BWD	FWD	BWD	LC24in	LC500mm	LC600mm	LC24in	LC500mm	LC600mm									
in	mm	in	mm	in	mm	in	mm	deg	deg	deg	deg	lb	kg	kg	lb	kg	kg	
TL	118	3000	88	2230	168	4270	6	160	8	10	8	10	9000	4500	4115	9000	4500	4115
	130	3300	94	2380	180	4570	6	160	8	10	8	10	9000	4500	4115	9000	4500	4115
	144	3650	101	2555	194	4920	6	160	8	10	8	10	9000	4500	4115	9000	4500	4115
	157	4000	113	2880	207	5270	6	160	8	10	8	10	9000	4500	4115	9000	4500	4115
	167	4250	118	3005	217	5520	6	160	8	10	8	10	9000	4500	4115	9000	4500	4115
191	4850	136	3455	241	6120	6	160	8	8	8	10	8800	4400	4025	8850	4425	4045	
TF	118	3000	87	2210	168	4255	40	1010	8	10	8	10	9000	4500	4115	9000	4500	4115
TT	157	4000	82	2090	207	5270	35	890	8	8	8	8	9000	4500	4125	9000	4500	4125
	167	4250	86	2180	218	5535	39	980	8	8	8	8	8950	4475	4105	9000	4500	4125
	185	4700	92	2330	236	5985	44	1130	8	8	8	8	8650	4325	3965	8700	4350	3990
	203	5150	97	2480	253	6435	50	1280	8	5	8	5	8350	4175	3830	8450	4225	3875
	220	5600	104	2630	271	6885	56	1430	8	3	8	3	8100	4050	3715	8150	4075	3740
238	6050	109	2780	289	7335	62	1580	8	3	8	3	7600	3800	3485	7900	3950	3625	

Mast Chart CD45S-7

Mast Type	Maximum Fork Height		Maximum Lowered Height		Fully Extended Height		Free Lift		Rated Load Capacities									
									CD45S-7									
					With Load Backrest		With Load Backrest		Tilt Angle				Load Capacities					
									Single Pneu.		Double Pneu.		Single Pneu.			Double Pneu.		
FWD	BWD	FWD	BWD	LC24in	LC500mm	LC600mm	LC24in	LC500mm	LC600mm									
in	mm	in	mm	in	mm	in	mm	deg	deg	deg	deg	lb	kg	kg	lb	kg	kg	
TL	118	3000	88	2230	174	4420	6	160	8	10	8	10	10,000	5000	4570	10,000	5000	4570
	130	3300	94	2380	186	4720	6	160	8	10	8	10	10,000	5000	4570	10,000	5000	4570
	144	3650	101	2555	200	5070	6	160	8	10	8	10	10,000	5000	4570	10,000	5000	4570
	157	4000	113	2880	213	5420	6	160	8	10	8	10	10,000	5000	4570	10,000	5000	4570
	167	4250	118	3005	223	5670	6	160	8	10	8	10	10,000	5000	4570	10,000	5000	4570
191	4850	136	3455	247	6270	6	160	8	5	8	10	9800	4900	4480	9400	4950	4525	
TF	118	3000	87	2210	173	4400	34	860	8	10	8	10	10,000	5000	4575	10,000	5000	4575
TT	157	4000	82	2090	213	5415	29	740	8	8	8	8	10,000	5000	4585	10,000	5000	4585
	167	4250	86	2180	224	5680	33	830	8	8	8	8	9950	4975	4565	10,000	5000	4585
	185	4700	92	2330	241	6130	39	980	8	8	8	8	9600	4800	4400	9700	4850	4450
	203	5150	98	2480	259	6580	44	1130	8	3	8	8	9300	4650	4265	9050	4700	4310
	220	5600	104	2630	277	7030	50	1280	8	3	8	5	9000	4500	4125	8250	4550	4175
238	6050	109	2780	294	7480	56	1430	8	3	8	3	7150	3575	3280	7150	4025	3690	

C-D Series

Specifications

Mast Chart CD50C-7

Mast Type	Maximum Fork Height		Maximum Lowered Height		Fully Extended Height		Free Lift		Rated Load Capacities									
									CD50C-7									
					With Load Backrest		With Load Backrest		Tilt Angle				Load Capacities					
									Single Pneu.		Double Pneu.		Single Pneu.			Double Pneu.		
	in	mm	in	mm	in	mm	in	mm	FWD	BWD	FWD	BWD	LC24in	LC500mm	LC600mm	LC24in	LC500mm	LC600mm
TL	108	2750	88	2230	164	4170	7	170	8	10	8	10	11,000	5500	5030	11,000	5500	5030
	120	3050	94	2380	176	4470	7	170	8	10	8	10	11,000	5500	5030	11,000	5500	5030
	134	3400	101	2555	190	4820	7	170	8	10	8	10	11,000	5500	5030	11,000	5500	5030
	148	3750	113	2880	204	5170	7	170	8	10	8	10	11,000	5500	5030	11,000	5500	5030
	157	4000	118	3005	213	5420	7	170	8	10	8	10	11,000	5500	5030	11,000	5500	5030
181	4600	136	3455	237	6020	7	170	8	8	8	10	11,000	5500	5030	10,300	5500	5030	
TF	113	2875	87	2210	168	4275	34	870	8	10	8	10	11,000	5500	5035	11,000	5500	5035
TT	153	3875	82	2090	208	5290	30	750	8	8	8	8	11,000	5500	5050	11,000	5500	5050
	162	4125	86	2180	219	5555	33	840	8	8	8	8	11,000	5500	5050	11,000	5500	5050
	180	4575	92	2330	236	6005	39	990	8	8	8	8	10,850	5375	4935	10,950	5425	4980
	198	5025	98	2480	254	6455	45	1140	8	5	8	8	10,500	5200	4775	10,400	5150	4725
	216	5475	104	2630	272	6905	51	1290	8	3	8	5	9400	4650	4270	9600	4750	4360
233	5925	109	2780	290	7355	57	1440	8	3	8	5	7300	3625	3330	7100	3525	3235	

Mast Chart CD55C-7

Mast Type	Maximum Fork Height		Maximum Lowered Height		Fully Extended Height		Free Lift		Rated Load Capacities							
									CD55C-7							
					With Load Backrest		With Load Backrest		Tilt Angle				Load Capacities			
									Single Pneu.		Double Pneu.		Single Pneu.		Double Pneu.	
	in	mm	in	mm	in	mm	in	mm	FWD	BWD	FWD	BWD	LC24in	LC600mm	LC24in	LC600mm
TL	108	2750	88	2230	164	4170	7	170	8	10	8	10	12,100	5500	12,100	5500
	120	3050	94	2380	176	4470	7	170	8	10	8	10	12,100	5500	12,100	5500
	134	3400	101	2555	190	4820	7	170	8	10	8	10	12,100	5500	12,100	5500
	148	3750	113	2880	204	5170	7	170	8	10	8	10	12,100	5500	12,100	5500
	157	4000	118	3005	213	5420	7	170	8	10	8	10	12,100	5500	12,100	5500
181	4600	136	3455	237	6020	7	170	8	8	8	10	11,850	5400	10,750	4900	
TF	113	2875	87	2210	168	4275	34	870	8	10	8	10	12,100	5500	12,100	5500
TT	153	3875	82	2090	208	5290	30	750	8	8	8	8	12,100	5500	12,100	5500
	162	4125	86	2180	219	5555	33	840	8	8	8	8	12,100	5500	12,100	5500
	180	4575	92	2330	236	6005	39	990	8	8	8	8	12,100	5500	12,100	5500
	198	5025	98	2480	254	6455	45	1140	8	5	8	8	11,350	5150	10,850	4925
	216	5475	104	2630	272	6905	51	1290	8	3	8	5	9900	4500	10,050	4575
233	5925	109	2780	290	7355	57	1440	8	3	8	5	7700	3500	7400	3575	

Standard Features

1. Doosan 4 cylinder turbo Diesel engine compliant to current EPA Tier IV standards
2. 2 Speed Powershift transmission with Autoshift feature
3. Cast Iron one piece axle housing
4. Oil-cooled Disc Brakes – Fully enclosed with 5 year 10,000 hr warranty
5. Rugged steer axle with large King Pins and tapered roller bearings
6. Lift and Tilt locking hydraulic valve
7. Carriage Side Thrust rollers
8. Dual Element air cleaner with high air intake
9. Operator design features
 - Wide Spacious floorboard
 - Tilt Steering Column
 - Suspension seat (vinyl or cloth) with high visibility seat belt
 - OSS Operator Sensing System
 - Park brake alarm and seat belt indicator
 - Rear travel handle with horn
 - Low front cowl/dash optimizes site lines
 - Clear view overhead guard and mast design
 - Large Dual Mirrors
 - Front Halogen Work Lights
 - Easy to read gauges monitor engine oil pressure, engine coolant, transmission temp, brake oil level and mast interlock
 - Spinner Knob

Optional Equipment

1. Tilt Position Assist
2. Adjustable Top Speed Control
3. Hydraulic Lift Circuit Accumulators
4. Pre-Cleaner Air Intake
5. Dual Operator Fans
6. Panoramic Mirror
7. Fuel Sensor Light / Alarm
8. 12 Volt auxiliary supply
9. Fire Extinguisher
10. Combo Lights with Turn signals
11. Overhead guard covers
12. Enclosed Cab
13. Solid Pneumatic (super-elastic) Tires
14. Various Light Packages
15. Static Strap
16. InfoLink®
17. Quick Disconnect Attachment Couplings

Other Options

1. Audible travel alarm
2. Flashing Lights
3. Floor Spotlight

Safety considerations and dangers associated with audible travel alarms and flashing lights include:

- Multiple alarms and/or lights can cause confusion.
- Workers ignore the alarms and/or lights after day-in and day-out exposure.
- Operator may transfer the responsibility for “looking out” to the pedestrians.
- Annoys operators and pedestrians.

Other Options Available

Contact your local Crown dealer.

Dimensions and performance data given may vary due to manufacturing tolerances. Performance is based on an average size vehicle and is affected by weight, condition of truck, how it is equipped and the conditions of the operating area. Crown products and specifications are subject to change without notice.

**Crown Equipment Corporation**

New Bremen, Ohio 45869 USA

Tel 419-629-2311

Fax 419-629-3796

crown.com

You can count on Crown to sell lift trucks designed for safe operation, but that's only part of the safety equation. Crown encourages safe operating practices through ongoing operator training, safety-focused supervision, maintenance and a safe working environment. Go to crown.com and view our safety section to learn more.

Because Crown is continually improving its products, specifications are subject to change without notice.

Crown, the Crown logo, the color beige, the Momentum symbol, and InfoLink are trademarks of Crown Equipment Corporation in the United States and other countries.

Copyright 2018 Crown Equipment Corporation
SF19902 12-18
Printed in U.S.A.