

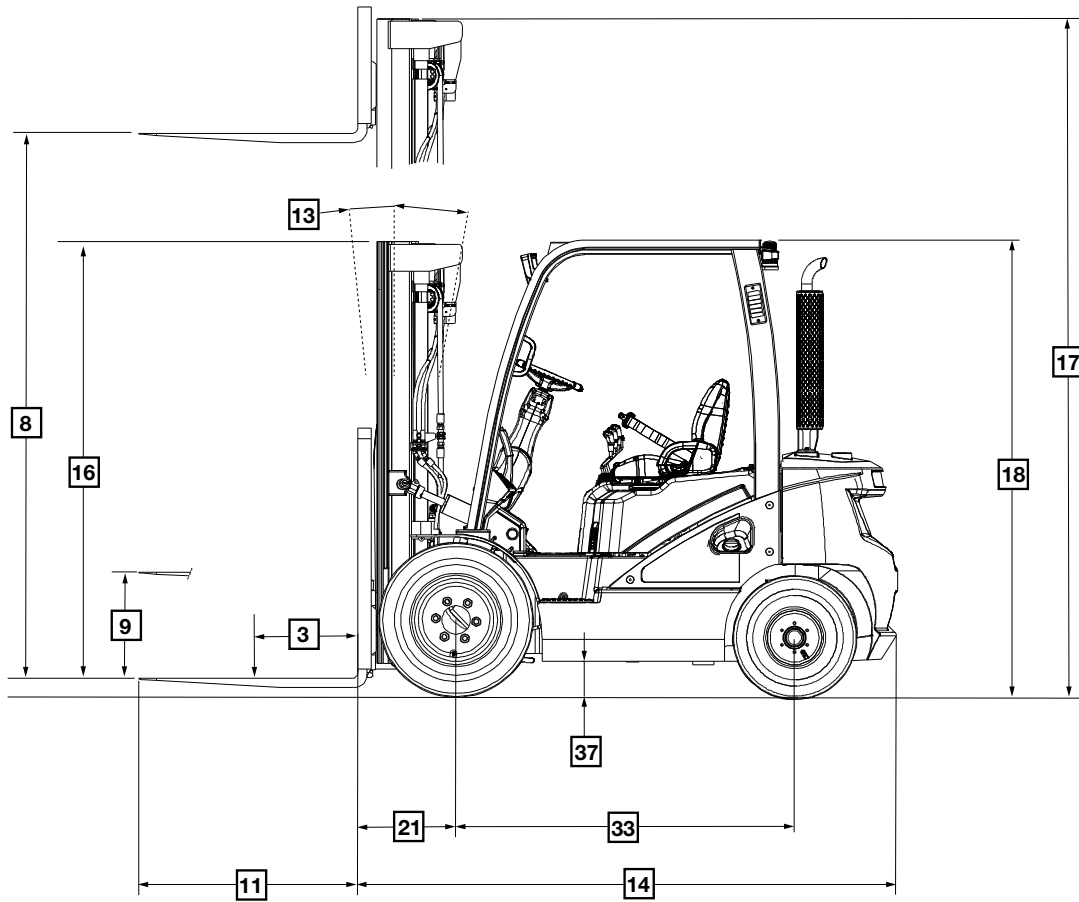
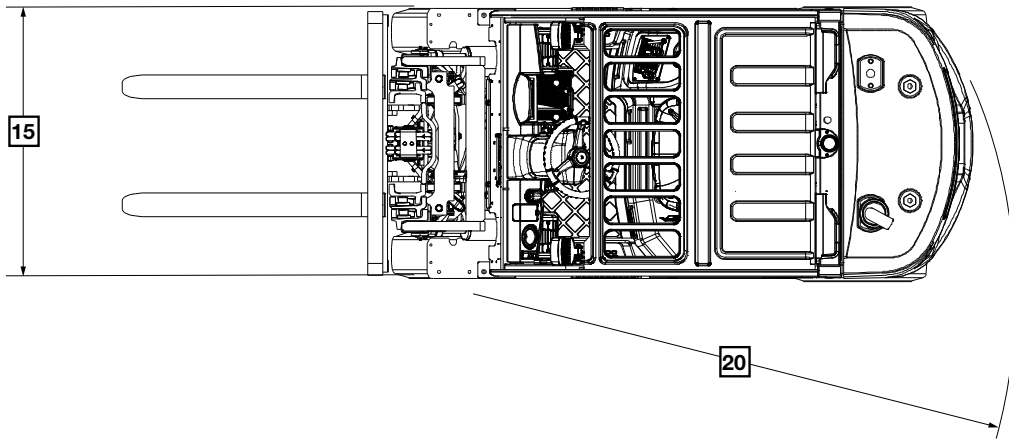
**CROWN**

**C-D**

**8,000-12,000 lb Capacity**  
IC Pneumatic Tire

**Specifications**





# C-D Series

# Specifications

Characteristics	1	Model		CD35S-7	CD40S-7	CD45S-7	CD50C-7	CD55C-7		
	2	<b>Load Capacity</b>	At Rated Load Center	lb (kg)	8,000 (3,500)	9,000 (4,000)	10,000 (4,500)	11,000 (5,000)	12,000 (5,500)	
	3	<b>Load Center</b>	Distance	in (mm)	24 (600)	24 (600)	24 (600)	24 (600)	24 (600)	
	4	<b>Power Type</b>	Elec, Diesel, LPG, Gasoline		Diesel	Diesel	Diesel	Diesel	Diesel	
	5	<b>Operator Type</b>			Sit-down	Sit-down	Sit-down	Sit-down	Sit-down	
	6	<b>Tire Type</b>	P:Pneumatic		P	P	P	P	P	
	7	<b>Wheels (x = driven)</b>	Front / Rear		x 2 / 2	x 2 / 2	x 2 / 2	x 2 / 2	x 2 / 2	
Dimensions	8	<b>Maximum Fork Ht.</b>	with Std 2-Stage Mast	in (mm)	118.1 (3,000)	118.1 (3,000)	118.1 (3,000)	120 (3,050)	120 (3,050)	
	9	<b>Free Lift</b>		in (mm)	6.3 (160)	6.3 (160)	6.3 (160)	6.7 (170)	6.7 (170)	
	10	<b>Fork Carriage</b>	ISO Class		III	III	IV	IV	IV	
	11	<b>Forks</b>	Length x Width x Thickness	in (mm)	41.3x5.9x2.0 (1,050x150x50)	41.3x5.9x2.0 (1,050x150x50)	47.2x5.9x2.0 (1,200x150x50)	47.2x5.9x2.4 (1,200x150x60)	47.2x5.9x2.4 (1,200x150x60)	
	12		Fork Carriage Width	in (mm)	49.2 (1,250)	49.2 (1,250)	52.4 (1,330)	52.4 (1,330)	52.4 (1,330)	
	13	<b>Tilt of Mast</b>	Forward / Backward		deg	8 / 10	8 / 10	8 / 10	8 / 10	
	14	<b>Overall Dimensions</b>	Length to Fork Face	in (mm)	123 (3,115)	125 (3,165)	129 (3,280)	131 (3,325)	132 (3,350)	
	15		Overall Width	in (mm)	54 (1,370)	57 (1,455)	57 (1,455)	57 (1,455)	57 (1,455)	
	16		Mast Lowered Height	in (mm)	89 (2,225)	88 (2,230)	88 (2,230)	94 (2,380)	94 (2,380)	
	17		Mast Extended Height	in (mm)	167.9 (4,265)	168.1 (4,270)	174.0 (4,420)	176.0 (4,470)	176.0 (4,470)	
	18		Overhead Guard Height	in (mm)	87.6 (2,225)	87.8 (2,230)	87.8 (2,230)	87.8 (2,230)	87.8 (2,230)	
19	Seat Height	in (mm)	49.1 (1,248)	49.4 (1,255)	49.4 (1,255)	49.4 (1,255)	49.4 (1,255)			
20	<b>Turning Radius</b>	Minimum Outside		in (mm)	110 (2,782)	112 (2,845)	113 (2,870)	115 (2,921)	117 (2,972)	
21	<b>Load Moment Constant</b>			in (mm)	22 (560)	22 (560)	22 (560)	23 (570)	23 (570)	
Performance	22	<b>Travel Speed</b>	Loaded / Unloaded	mph (km/h)	15.5 / 16.8 (25.0 / 27.0)	15.5 / 16.8 (25.0 / 27.0)	15.5 / 16.8 (25.0 / 27.0)	15.5 / 16.8 (25.0 / 27.0)	15.5 / 16.8 (25.0 / 27.0)	
	23	<b>Lifting Speed</b>	Loaded / Unloaded	fpm (mm/s)	110 / 118 (560 / 600)	108 / 118 (550 / 600)	106 / 118 (540 / 600)	104 / 117 (530 / 600)	103 / 117 (520 / 600)	
	24	<b>Lowering Speed</b>	Loaded / Unloaded	fpm (mm/s)	89 / 98 (450 / 500)	89 / 98 (450 / 500)	89 / 98 (450 / 500)	89 / 98 (450 / 500)	88 / 98 (450 / 500)	
	25	<b>Max Drawbar Pull</b>	Loaded at 1.0 mph (1.6 km/h)	lb (kg)	8,630 (3,915)	8,500 (3,855)	8,520 (3,865)	8,430 (3,824)	8,430 (3,824)	
	26	<b>Max Gradeability</b>	Loaded at 1.0 mph (1.6 km/h)	%	44.7	39.9	36.2	32.7	30.1	
Weight	27	<b>Total Weight</b>	Unloaded		lb (kg)	13,315 (6,040)	14,100 (6,400)	15,168 (6,880)	16,270 (7,380)	17,031 (7,725)
	28	<b>Axle Load</b>	Loaded, Front / Rear	lb (kg)	18,387 / 2,646 (8,340 / 1,200)	20,073 / 2,855 (9,105 / 1,295)	22,046 / 3,042 (10,000 / 1,380)	23,920 / 3,252 (10,850 / 1,475)	25,662 / 3,494 (11,640 / 1,585)	
	29		Unloaded, Front / Rear	lb (kg)	5,953 / 7,363 (2,700 / 3,340)	5,886 / 8,223 (2,670 / 3,730)	6,371 / 8,796 (2,890 / 3,990)	6,768 / 9,381 (3,070 / 4,225)	7,132 / 9,899 (3,235 / 4,490)	
Chassis	30	<b>Tires</b>	Size, Front Single		8.25x15-14	11.8x15-18	11.8x15-18	11.8x15-18	11.8x15-18	
	31		Dual (Option)		7.50x16-12	7.50x16-12	7.50x16-12	7.50x16-12	7.50x16-12	
	32		Size, Rear		7.00x12-12	7.00x12-12	7.00x12-12	7.00x12-14	7.00x12-14	
	33	<b>Wheelbase</b>	Distance		in (mm)	79 (2,015)	79 (2,015)	83 (2,115)	83 (2,115)	
	34	<b>Tread Width</b>	Front	in (mm)	44.9 / 50.8 (1,140 / 1,290)	45.4 / 50.8 (1,155 / 1,290)	45.4 / 50.8 (1,155 / 1,290)	45.4 / 50.8 (1,155 / 1,290)	45.4 / 50.8 (1,155 / 1,290)	
	35		Rear	in (mm)	43.9 (1,115)	43.9 (1,115)	43.9 (1,115)	43.9 (1,115)	43.9 (1,115)	
	36	<b>Ground Clearance</b>	Loaded at the lowest point	in (mm)	5.9 (150)	6.3 (160)	6.3 (160)	6.3 (160)	6.3 (160)	
	37		Loaded at center of wheelbase	in (mm)	8 (205)	8 (205)	8 (205)	8 (205)	8 (205)	
	38	<b>Brakes</b>	Service		Foot / Hyd	Foot / Hyd	Foot / Hyd	Foot / Hyd	Foot / Hyd	
39	Parking		Ratchet	Ratchet	Ratchet	Ratchet	Ratchet			
Power Train	40	<b>Battery</b>	Voltage / Ampere		V/AH	12 / 100	12 / 100	12 / 100	12 / 100	
	41	<b>Engine</b>	Manufacturer / Model			D34NAP	D34NAP	D34NAP	D34NAP	
	42		Rated Output (at rpm)	HP/rpm	73.7 / 2,300	73.7 / 2,300	73.7 / 2,300	73.7 / 2,300	73.7 / 2,300	
				kW/rpm	55 / 2,300	55 / 2,300	55 / 2,300	55 / 2,300	55 / 2,300	
	43		Maximum Torque	ft-lb/rpm	243 / 1,400	243 / 1,400	243 / 1,400	243 / 1,400	243 / 1,400	
		n_m/rpm		330 / 1,400	330 / 1,400	330 / 1,400	330 / 1,400	330 / 1,400		
	44	Cycle/Cylinders/Displacements		CC	4 / 4 / 3,409	4 / 4 / 3,409	4 / 4 / 3,409	4 / 4 / 3,409	4 / 4 / 3,409	
	45	<b>Transmission</b>	Type			Powershift	Powershift	Powershift	Powershift	
	Number of Speeds (Fwd / Rev)			2 / 2	2 / 2	2 / 2	2 / 2			
46	<b>Attachments</b>	Oil Volume	gpm (l/min)	21.1 (80)	21.1 (80)	21.1 (80)	21.1 (80)	21.1 (80)		
		Operating Pressure	psi (bar)	2320 (160)	2320 (160)	2320 (160)	2320 (160)	2320 (160)		
47	<b>Fuel Tank Capacity</b>			gal (l)	31 / 118	31 / 118	35 / 131	35 / 131		

Note: Specification values quoted in this specification sheet have been rounded. Performance may vary due to operation conditions. Products and specifications are subject to improvement and change without prior notices.

# C-D Series

# Specifications

**Mast Chart CD35S-7**

Mast Type	Maximum Fork Height		Maximum Lowered Height		Fully Extended Height		Free Lift		Rated Load Capacities									
									CD35S-7									
					With Load Backrest		With Load Backrest		Tilt Angle				Load Capacities					
									Single Pneu.		Double Pneu.		Single Pneu.			Double Pneu.		
FWD	BWD	FWD	BWD	LC24in	LC500mm	LC600mm	LC24in	LC500mm	LC600mm	lb	kg	kg	lb	kg	kg			
in	mm	in	mm	in	mm	in	mm	deg	deg	deg	deg	lb	kg	kg	lb	kg	kg	
TL	118	3000	88	2225	168	4265	6	160	8	10	8	10	8000	4000	3655	8000	4000	3655
	130	3300	94	2375	180	4565	6	160	8	10	8	10	8000	4000	3655	8000	4000	3655
	144	3650	100	2550	194	4915	6	160	8	10	8	10	8000	4000	3655	8000	4000	3655
	157	4000	113	2875	207	5265	6	160	8	10	8	10	8000	4000	3655	8000	4000	3655
	167	4250	118	3000	217	5515	6	160	8	10	8	10	8000	4000	3655	8000	4000	3655
191	4850	136	3450	241	6115	6	160	8	8	8	10	7700	3850	3520	7750	3875	3545	
TF	118	3000	87	2205	167	4250	40	1005	8	10	8	10	8000	4000	3660	8000	4000	3660
TT	157	4000	82	2090	207	5265	35	890	8	8	8	8	7950	3975	3645	8000	4000	3670
	167	4250	86	2175	218	5530	38	975	8	8	8	8	7800	3900	3575	7900	3950	3625
	185	4700	92	2325	235	5980	44	1125	8	8	8	8	7550	3775	3465	7600	3800	3485
	203	5150	97	2475	253	6430	50	1275	8	5	8	8	7300	3650	3350	7350	3675	3370
	220	5600	103	2625	271	6880	56	1425	8	3	8	8	7050	3525	3235	7100	3550	3255
238	6050	109	2775	289	7330	62	1575	8	3	8	5	6150	3075	2820	6900	3450	3165	

**Mast Chart CD40S-7**

Mast Type	Maximum Fork Height		Maximum Lowered Height		Fully Extended Height		Free Lift		Rated Load Capacities										
									CD40S-7										
					With Load Backrest		With Load Backrest		Tilt Angle				Load Capacities						
									Single Pneu.		Double Pneu.		Single Pneu.			Double Pneu.			
FWD	BWD	FWD	BWD	LC24in	LC500mm	LC600mm	LC24in	LC500mm	LC600mm	deg	deg	deg	deg	lb	kg	kg	lb	kg	kg
in	mm	in	mm	in	mm	in	mm	deg	deg	deg	deg	lb	kg	kg	lb	kg	kg		
TL	118	3000	88	2230	168	4270	6	160	8	10	8	10	9000	4500	4115	9000	4500	4115	
	130	3300	94	2380	180	4570	6	160	8	10	8	10	9000	4500	4115	9000	4500	4115	
	144	3650	101	2555	194	4920	6	160	8	10	8	10	9000	4500	4115	9000	4500	4115	
	157	4000	113	2880	207	5270	6	160	8	10	8	10	9000	4500	4115	9000	4500	4115	
	167	4250	118	3005	217	5520	6	160	8	10	8	10	9000	4500	4115	9000	4500	4115	
191	4850	136	3455	241	6120	6	160	8	8	8	10	8800	4400	4025	8850	4425	4045		
TF	118	3000	87	2210	168	4255	40	1010	8	10	8	10	9000	4500	4115	9000	4500	4115	
TT	157	4000	82	2090	207	5270	35	890	8	8	8	8	9000	4500	4125	9000	4500	4125	
	167	4250	86	2180	218	5535	39	980	8	8	8	8	8950	4475	4105	9000	4500	4125	
	185	4700	92	2330	236	5985	44	1130	8	8	8	8	8650	4325	3965	8700	4350	3990	
	203	5150	97	2480	253	6435	50	1280	8	5	8	5	8350	4175	3830	8450	4225	3875	
	220	5600	104	2630	271	6885	56	1430	8	3	8	3	8100	4050	3715	8150	4075	3740	
238	6050	109	2780	289	7335	62	1580	8	3	8	3	7600	3800	3485	7900	3950	3625		

**Mast Chart CD45S-7**

Mast Type	Maximum Fork Height		Maximum Lowered Height		Fully Extended Height		Free Lift		Rated Load Capacities										
									CD45S-7										
					With Load Backrest		With Load Backrest		Tilt Angle				Load Capacities						
									Single Pneu.		Double Pneu.		Single Pneu.			Double Pneu.			
FWD	BWD	FWD	BWD	LC24in	LC500mm	LC600mm	LC24in	LC500mm	LC600mm	deg	deg	deg	deg	lb	kg	kg	lb	kg	kg
in	mm	in	mm	in	mm	in	mm	deg	deg	deg	deg	lb	kg	kg	lb	kg	kg		
TL	118	3000	88	2230	174	4420	6	160	8	10	8	10	10,000	5000	4570	10,000	5000	4570	
	130	3300	94	2380	186	4720	6	160	8	10	8	10	10,000	5000	4570	10,000	5000	4570	
	144	3650	101	2555	200	5070	6	160	8	10	8	10	10,000	5000	4570	10,000	5000	4570	
	157	4000	113	2880	213	5420	6	160	8	10	8	10	10,000	5000	4570	10,000	5000	4570	
	167	4250	118	3005	223	5670	6	160	8	10	8	10	10,000	5000	4570	10,000	5000	4570	
191	4850	136	3455	247	6270	6	160	8	5	8	10	9800	4900	4480	9400	4950	4525		
TF	118	3000	87	2210	173	4400	34	860	8	10	8	10	10,000	5000	4575	10,000	5000	4575	
TT	157	4000	82	2090	213	5415	29	740	8	8	8	8	10,000	5000	4585	10,000	5000	4585	
	167	4250	86	2180	224	5680	33	830	8	8	8	8	9950	4975	4565	10,000	5000	4585	
	185	4700	92	2330	241	6130	39	980	8	8	8	8	9600	4800	4400	9700	4850	4450	
	203	5150	98	2480	259	6580	44	1130	8	3	8	8	9300	4650	4265	9050	4700	4310	
	220	5600	104	2630	277	7030	50	1280	8	3	8	5	9000	4500	4125	8250	4550	4175	
238	6050	109	2780	294	7480	56	1430	8	3	8	3	7150	3575	3280	7150	4025	3690		

# C-D Series

# Specifications

**Mast Chart CD50C-7**

Mast Type	Maximum Fork Height		Maximum Lowered Height		Fully Extended Height		Free Lift		Rated Load Capacities									
									CD50C-7									
					With Load Backrest		With Load Backrest		Tilt Angle				Load Capacities					
									Single Pneu.		Double Pneu.		Single Pneu.			Double Pneu.		
	in	mm	in	mm	in	mm	in	mm	FWD	BWD	FWD	BWD	LC24in	LC500mm	LC600mm	LC24in	LC500mm	LC600mm
TL	108	2750	88	2230	164	4170	7	170	8	10	8	10	11,000	5500	5030	11,000	5500	5030
	120	3050	94	2380	176	4470	7	170	8	10	8	10	11,000	5500	5030	11,000	5500	5030
	134	3400	101	2555	190	4820	7	170	8	10	8	10	11,000	5500	5030	11,000	5500	5030
	148	3750	113	2880	204	5170	7	170	8	10	8	10	11,000	5500	5030	11,000	5500	5030
	157	4000	118	3005	213	5420	7	170	8	10	8	10	11,000	5500	5030	11,000	5500	5030
181	4600	136	3455	237	6020	7	170	8	8	8	10	11,000	5500	5030	10,300	5500	5030	
TF	113	2875	87	2210	168	4275	34	870	8	10	8	10	11,000	5500	5035	11,000	5500	5035
TT	153	3875	82	2090	208	5290	30	750	8	8	8	8	11,000	5500	5050	11,000	5500	5050
	162	4125	86	2180	219	5555	33	840	8	8	8	8	11,000	5500	5050	11,000	5500	5050
	180	4575	92	2330	236	6005	39	990	8	8	8	8	10,850	5375	4935	10,950	5425	4980
	198	5025	98	2480	254	6455	45	1140	8	5	8	8	10,500	5200	4775	10,400	5150	4725
	216	5475	104	2630	272	6905	51	1290	8	3	8	5	9400	4650	4270	9600	4750	4360
233	5925	109	2780	290	7355	57	1440	8	3	8	5	7300	3625	3330	7100	3525	3235	

**Mast Chart CD55C-7**

Mast Type	Maximum Fork Height		Maximum Lowered Height		Fully Extended Height		Free Lift		Rated Load Capacities							
									CD55C-7							
					With Load Backrest		With Load Backrest		Tilt Angle				Load Capacities			
									Single Pneu.		Double Pneu.		Single Pneu.		Double Pneu.	
	in	mm	in	mm	in	mm	in	mm	FWD	BWD	FWD	BWD	LC24in	LC600mm	LC24in	LC600mm
TL	108	2750	88	2230	164	4170	7	170	8	10	8	10	12,100	5500	12,100	5500
	120	3050	94	2380	176	4470	7	170	8	10	8	10	12,100	5500	12,100	5500
	134	3400	101	2555	190	4820	7	170	8	10	8	10	12,100	5500	12,100	5500
	148	3750	113	2880	204	5170	7	170	8	10	8	10	12,100	5500	12,100	5500
	157	4000	118	3005	213	5420	7	170	8	10	8	10	12,100	5500	12,100	5500
181	4600	136	3455	237	6020	7	170	8	8	8	10	11,850	5400	10,750	4900	
TF	113	2875	87	2210	168	4275	34	870	8	10	8	10	12,100	5500	12,100	5500
TT	153	3875	82	2090	208	5290	30	750	8	8	8	8	12,100	5500	12,100	5500
	162	4125	86	2180	219	5555	33	840	8	8	8	8	12,100	5500	12,100	5500
	180	4575	92	2330	236	6005	39	990	8	8	8	8	12,100	5500	12,100	5500
	198	5025	98	2480	254	6455	45	1140	8	5	8	8	11,350	5150	10,850	4925
	216	5475	104	2630	272	6905	51	1290	8	3	8	5	9900	4500	10,050	4575
233	5925	109	2780	290	7355	57	1440	8	3	8	5	7700	3500	7400	3575	

**Standard Features**

1. Doosan 4 cylinder turbo Diesel engine compliant to current EPA Tier IV standards
2. 2 Speed Powershift transmission with Autoshift feature
3. Cast Iron one piece axle housing
4. Oil-cooled Disc Brakes – Fully enclosed with 5 year 10,000 hr warranty
5. Rugged steer axle with large King Pins and tapered roller bearings
6. Lift and Tilt locking hydraulic valve
7. Carriage Side Thrust rollers
8. Dual Element air cleaner with high air intake
9. Operator design features
  - Wide Spacious floorboard
  - Tilt Steering Column
  - Suspension seat (vinyl or cloth) with high visibility seat belt
  - OSS Operator Sensing System
  - Park brake alarm and seat belt indicator
  - Rear travel handle with horn
  - Low front cowl/dash optimizes site lines
  - Clear view overhead guard and mast design
  - Large Dual Mirrors
  - Front Halogen Work Lights
  - Easy to read gauges monitor engine oil pressure, engine coolant, transmission temp, brake oil level and mast interlock
  - Spinner Knob

**Optional Equipment**

1. Tilt Position Assist
2. Adjustable Top Speed Control
3. Hydraulic Lift Circuit Accumulators
4. Pre-Cleaner Air Intake
5. Dual Operator Fans
6. Panoramic Mirror
7. Fuel Sensor Light / Alarm
8. 12 Volt auxiliary supply
9. Fire Extinguisher
10. Combo Lights with Turn signals
11. Overhead guard covers
12. Enclosed Cab
13. Solid Pneumatic (super-elastic) Tires
14. Various Light Packages
15. Static Strap
16. InfoLink®
17. Quick Disconnect Attachment Couplings

**Other Options**

1. Audible travel alarm
2. Flashing Lights
3. Floor Spotlight

Safety considerations and dangers associated with audible travel alarms and flashing lights include:

- Multiple alarms and/or lights can cause confusion.
- Workers ignore the alarms and/or lights after day-in and day-out exposure.
- Operator may transfer the responsibility for “looking out” to the pedestrians.
- Annoys operators and pedestrians.

**Other Options Available**

Contact your local Crown dealer.

*Dimensions and performance data given may vary due to manufacturing tolerances. Performance is based on an average size vehicle and is affected by weight, condition of truck, how it is equipped and the conditions of the operating area. Crown products and specifications are subject to change without notice.*

**Crown Equipment Corporation**

New Bremen, Ohio 45869 USA

**Tel** 419-629-2311

**Fax** 419-629-3796

[crown.com](http://crown.com)

**You can count on Crown to sell lift trucks designed for safe operation, but that's only part of the safety equation. Crown encourages safe operating practices through ongoing operator training, safety-focused supervision, maintenance and a safe working environment. Go to [crown.com](http://crown.com) and view our safety section to learn more.**

Because Crown is continually improving its products, specifications are subject to change without notice.

Crown, the Crown logo, the color beige, the Momentum symbol, and InfoLink are trademarks of Crown Equipment Corporation in the United States and other countries.

Copyright 2018-2019 Crown Equipment Corporation  
SF19902 Rev. 03-19  
Printed in U.S.A.