

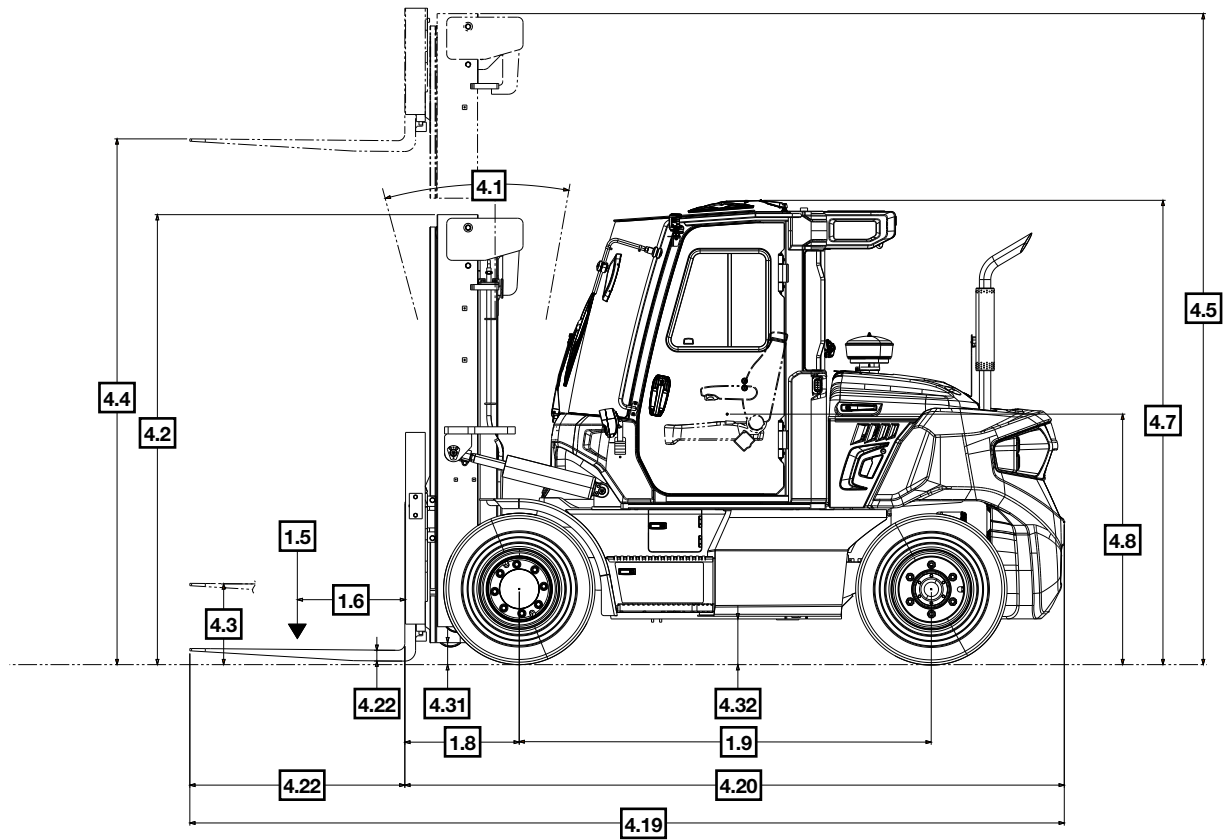
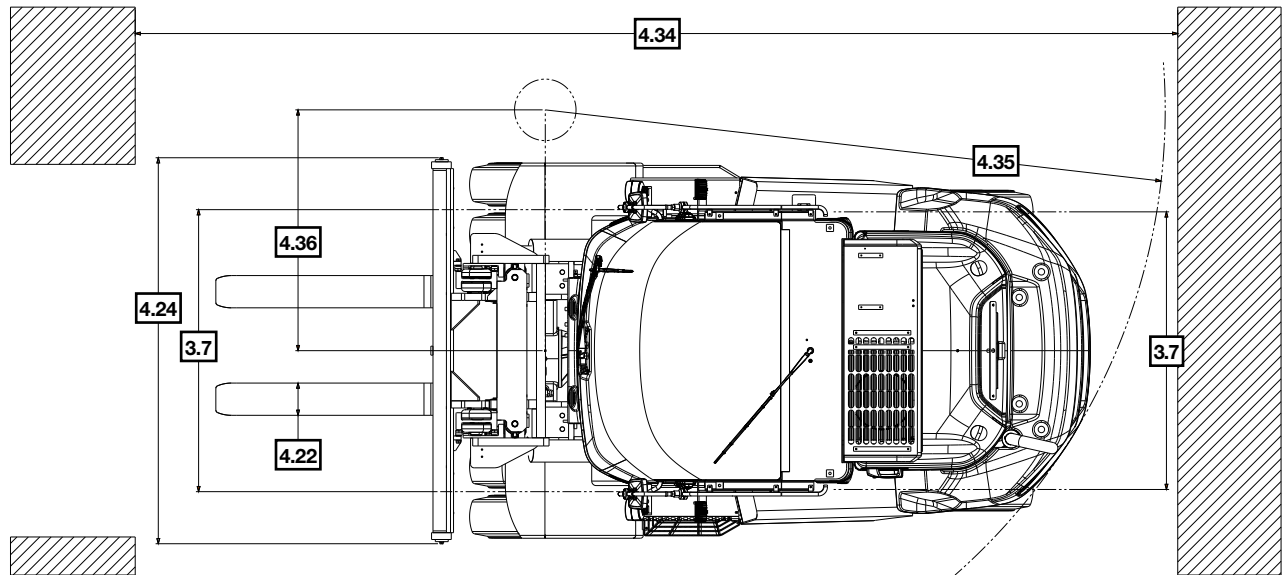
CROWN

C-D

13,500-20,000 lb. Capacity
IC Pneumatic Tire

Specifications





C-D Series

Specifications

				CD60S-9	CD70S-9	CD80S-9	CD90S-9	
Characteristics	1.2	Model		CD60S-9	CD70S-9	CD80S-9	CD90S-9	
	1.3	Power	Diesel, Gasoline, LPG	Diesel				
	1.4	Operator Type		Seated				
	1.5	Load Capacity	lb (kg)	13500 (6000)	15500 (7000)	17500 (8000)	20000 (9000)	
	1.6	Load Center	Fork Face to Load CG	in (mm)	23.6 (600)			
Weight	1.8	Load Distance: Center of Driveaxle to fork	Center of Wheel to Fork Face	in (mm)	24.9 (632)		28.5 (725)	
	1.9	Wheelbase		in (mm)	90.6 (2300)		98.4 (2500)	
	2.1	Service Weight	with min. battery wt.	lb (kg)	20800.6 (9435)	22266.7 (10100)	24978.4 (11330)	26411.4 (11980)
	2.2	Axle Loading, Laden Front/Rear	Less Battery	lb (kg)	29828.5 (13530) / 4343.1 (1970)	32970.1 (14955) / 4872.2 (2210)	37842.4 (17165) / 4916.3 (2230)	41061.1 (18625) / 5335.2 (2420)
	2.3	Axle Loading, Unladen Front/Rear	Front / Rear	lb (kg)	9446.8 (4285) / 11353.8 (5150)	9204.3 (4175) / 13062.4 (5925)	10802.7 (4900) / 14175.7 (6430)	10626.3 (4820) / 15785.1 (7160)
Types	3.1	Tire Type	Pneumatic, Super Elastic, Cushion	Pneumatic				
	3.2	Tire Size	Front OD x Width x Rim Dia.	8.25x15-14PR		9.00 x 20-14PR		
	3.3		Rear OD x Width x Rim Dia.					
	3.5	Wheels	Number Front / Rear	x = driven	x4 / 2			
	3.6	Track Width	Front	in (mm)	62.4 (1584)		65.7 (1668)	
Dimensions	3.7		Rear	in (mm)	61.0 (1550)		68.9 (1750)	
	4.1	Mast Tilt	Forward / Backward	deg				
	4.2	Height, Mast Lowered		in (mm)				
	4.3	Free Lift		in (mm)	See Mast Chart			
	4.4	Lift		in (mm)				
	4.5	Height, Mast Extended		in (mm)				
	4.7	Height of Overhead Guard/Cabin		in (mm)	97.2 (2468) / 99.8 (2535)		105.2 (2673) / 109.1 (2771)	
	4.8	Seat Height		in (mm)	57.3 (1455)		60.1 (1526)	
	4.19	Overall Length		in (mm)	189.7 (4818)	192.8 (4897)	205.3 (5214)	206.3 (5240)
	4.20	Head Length	Length to Fork Face	in (mm)	142.4 (3618)	145.6 (3697)	158.0 (4014)	159.1 (4040)
	4.21	Overall Width		in (mm)	84.9 (2156)		87.8 (2230)	
	4.22	Fork Dimensions	T x W x L	in (mm)	2.4x7.1x47.2 (60x180x1200)		2.8 x 7.1 x 47.2 (70 x 180 x 1200)	
	4.23	Fork Carriage ISO 2328	Class / Type A,B		4 / B		5 / B	
	4.24	Fork Carriage Width		in (mm)	84.9 (2156)		87.2 (2216)	
	4.31	Ground Clearance	Loaded, Lowest Point	in (mm)	7.7 (196)		11.1 (283)	
	4.32		Center of Wheelbase	in (mm)	8.4 (214)		13.0 (329)	
	4.34.1	Working Aisle Width	Pallets 1000 x 1200 Traverse	in (mm)	206.8 (5252)	208.4 (5293)	219.5 (5575)	223.8 (5685)
	4.34.2		Pallets 800 x 1200 Length	in (mm)	213.6 (5452)	216.3 (5493)	277.4 (5775)	231.7 (5885)
	4.35	Turning Radius		in (mm)	133.1 (3380)	135.0 (3430)	143.7 (3650)	144.9 (3680)
	4.36	Internal Turning Radius		in (mm)	52.9 (1344)		57.8 (1468)	
Performance Data	5.1	Travel Speed	Loaded / Empty	mph (km/h)	19.1 (30.8) / 21.3 (34.3)	18.8 (30.2) / 21.3 (34.2)	18.6 (30) / 21.8 (35)	
	5.2	Lift Speed	Loaded / Empty	fpm (m/s)	98.4 (0.50) / 106.3 (0.54)	86.6 (0.44) / 94.5 (0.48)	84.7 (0.43) / 94.5 (0.48)	
	5.3	Lowering Speed	Loaded / Empty	fpm (m/s)	98.4 (0.5) / 88.6 (0.45)			
	5.5	Drawbar Pull	Loaded / Empty (1.6km/h)	lb (N)	13690.9 (60900)	13583.0 (60420)	14421.5 (64150)	12771.4 (56810)
	5.6	Max. Drawbar Pull	Loaded / Empty	lb (N)	17478.9 (77750)	17368.7 (77260)	16226.7 (72180)	16157.0 (71870)
	5.7	Gradeability	Loaded / Empty (1.6km/h)	%	45 / 89	39 / 75	35 / 57	28 / 55
	5.8	Max. Gradeability	Loaded / Empty	%	61 / 100	52 / 100	40 / 78	37 / 75
	5.10	Brakes	Service	Type	Foot / Hyd			
		Parking	Type	Electronic				
Engine	7.1	Manufacturer / Model (Emission Standard)		DI / DM03VA (Stage 5) DI / DM03PA (Tier 4 Final)				
	7.2	Engine Power	DIN ISO1585	hp (kW)	108.5 (80.9)			
	7.3	Rated Speed	RPM	min-1	2300			
	7.3.1	Torque at 1/min		ft-lbs (N-m @ rpm)	339.3 (460 @ 1400)			
	7.4	Number of Cylinders / Displacement		-cc (-/cm3)	4 / 3409			
	7.5	Fuel Consumption according to EN Mode		gal/h (l/h)	1.32 (5.0)		1.74 (6)	
7.10	Battery Voltage / normal capacity	Voltage / Ampere hour	V/Ah	24 / 100				
Addition	10.1	Operating Pressure for attachments		psi (bar)	2030.5 (140)			
	10.2	Oil Volume for attachments		gpm (l/min)	25.1 (95)		35.7 (135)	
	10.4	Fuel Tank Capacity		gal (l)	42.3 (160)		67.4 (255)	
	10.7	Sound Level at Driver's Ear	EN 12053	dB (A)	74			

Note: Specification values quoted in this specification sheet have been rounded. Performance may vary due to operation conditions. Products and specifications are subject to improvement and change without prior notices.

C-D Series

Specifications

Mast Chart CD 60S-9

Shaft Type Carriage (without S/S, Without F/M)									Rated Load Capacities			
Mast Type	Maximum Fork Height		Maximum Lowered Height		Fully Extended Height		Free Lift		Tilt Angle		Load Capacities	
					With Load Backrest		With Load Backrest		FWD	BWD	LC600mm	LC24in
	mm	in	mm	in	mm	in	mm	in	deg	deg	kg	lb
TL	2800	110	2395	94	4075	160	205	8	15°	10°	6000	13500
	3000	118	2495	98	4275	168	205	8	15°	10°	6000	13500
	3500	138	2745	108	4775	188	205	8	15°	10°	6000	13500
	3700	146	2845	112	4975	196	205	8	15°	10°	6000	13500
	4000	157	2995	118	5275	208	205	8	15°	10°	6000	13500
	4500	177	3345	132	5775	227	205	8	15°	10°	6000	13500
	5000	197	3595	142	6275	247	205	8	15°	10°	6000	13500
	5500	217	3845	151	6775	267	205	8	15°	10°	5900	13000
	6000	236	4095	161	7275	286	205	8	15°	10°	5750	12700
	6500	256	4445	175	7775	306	205	8	15°	10°	5500	12150
TT	4250	167	2440	96	5270	207	1480	58	15°	10°	6000	13500
	4550	179	2540	100	5570	219	1580	62	15°	10°	6000	13500
	5000	197	2690	106	6020	237	1730	68	15°	10°	5800	12800
	5600	220	2890	114	6620	261	1930	76	15°	10°	5500	12150
	6050	238	3040	120	7070	278	2080	82	15°	10°	5300	11700
	6500	256	3240	126	7520	296	2280	88	15°	10°	5150	11350
	6800	268	3340	131	7820	308	2380	94	15°	10°	5050	11150
	7275	286	3500	138	8295	327	2540	100	15°	10°	4850	10700

Mast Chart CD 70S-9

Shaft Type Carriage (without S/S, Without F/M)									Rated Load Capacities			
Mast Type	Maximum Fork Height		Maximum Lowered Height		Fully Extended Height		Free Lift		Tilt Angle		Load Capacities	
					With Load Backrest		With Load Backrest		FWD	BWD	LC600mm	LC24in
	mm	in	mm	in	mm	in	mm	in	deg	deg	kg	lb
TL	2800	110	2395	94	4075	160	205	8	15°	10°	7000	15500
	3000	118	2495	98	4275	168	205	8	15°	10°	7000	15500
	3500	138	2745	108	4775	188	205	8	15°	10°	7000	15500
	3700	146	2845	112	4975	196	205	8	15°	10°	7000	15500
	4000	157	2995	118	5275	208	205	8	15°	10°	7000	15500
	4250	167	3120	123	5525	218	205	8	15°	10°	7000	15500
	4500	177	3345	132	5775	227	205	8	15°	10°	7000	15500
	5000	197	3595	142	6275	247	205	8	15°	10°	7000	15500
	5335	210	3845	151	6610	260	205	8	15°	10°	7000	15500
	5500	217	3845	151	6775	267	205	8	15°	10°	7000	15500
	6000	236	4095	161	7275	286	205	8	15°	10°	6850	15100
	6500	256	4445	175	7775	306	205	8	15°	10°	6600	14550
TT	4250	167	2440	96	5270	207	1480	58	15°	10°	7000	15500
	4550	179	2540	100	5570	219	1580	62	15°	10°	7000	15500
	5000	197	2690	106	6020	237	1730	68	15°	10°	6900	15200
	5600	220	2890	114	6620	261	1930	76	15°	10°	6650	14650
	6050	238	3040	120	7070	278	2080	82	15°	10°	6450	14200
	6500	256	3240	128	7520	296	2280	90	15°	10°	6200	13650
	6800	268	3340	131	7820	308	2380	94	15°	10°	6100	13450
	7275	286	3500	138	8295	327	2540	100	15°	10°	5300	11700

C-D Series

Specifications

Mast Chart CD 80S-9

Shaft Type Carriage (without S/S, Without F/M)									Rated Load Capacities			
Mast Type	Maximum Fork Height		Maximum Lowered Height		Fully Extended Height		Free Lift		Tilt Angle		Load Capacities	
					With Load Backrest		With Load Backrest		FWD	BWD	LC600mm	LC24in
					mm	in	mm	in	mm	in	deg	deg
TL	3100	122	2835	112	4375	172	215	8	15°	10°	8000	17500
	3300	130	2935	116	4575	180	215	8	15°	10°	8000	17500
	3600	142	3085	121	4875	192	215	8	15°	10°	8000	17500
	4100	161	3435	135	5375	212	215	8	15°	10°	8000	17500
	4600	181	3685	145	5875	231	215	8	15°	10°	8000	17500
	5100	201	3935	155	6375	251	215	8	15°	10°	8000	17500
	5400	213	4085	161	6675	263	215	8	15°	10°	8000	17500
	5600	220	4185	165	6875	271	215	8	15°	10°	7800	17200
6500	256	4735	186	7775	306	215	8	15°	10°	7400	16300	
TT	4350	171	2630	104	5625	221	1420	56	15°	10°	8000	17500
	4800	189	2780	109	6075	239	1570	62	15°	10°	8000	17500
	5400	213	2980	117	6675	263	1770	70	15°	10°	7750	17100
	5850	230	3130	123	7125	281	1920	76	15°	10°	7500	16550
	6540	257	3410	134	7815	308	2200	87	15°	10°	7100	15650
	7650	301	3780	149	8925	351	2570	101	15°	10°	5400	11900

Mast Chart CD 90S-9

Shaft Type Carriage (without S/S, Without F/M)									Rated Load Capacities			
Mast Type	Maximum Fork Height		Maximum Lowered Height		Fully Extended Height		Free Lift		Tilt Angle		Load Capacities	
					With Load Backrest		With Load Backrest		FWD	BWD	LC600mm	LC24in
					mm	in	mm	in	mm	in	deg	deg
TL	3100	122	2835	112	4375	172	215	8	15°	10°	9000	20000
	3300	130	2935	116	4575	180	215	8	15°	10°	9000	20000
	3600	142	3085	121	4875	192	215	8	15°	10°	9000	20000
	4100	161	3435	135	5375	212	215	8	15°	10°	9000	20000
	4600	181	3685	145	5875	231	215	8	15°	10°	9000	20000
	5100	201	3935	155	6375	251	215	8	15°	10°	9000	20000
	5400	213	4085	161	6675	263	215	8	15°	10°	8900	19600
	5600	220	4185	165	6875	271	215	8	15°	10°	8750	19300
6500	256	4735	186	7775	306	215	8	15°	10°	8200	18100	
TT	4350	171	2630	104	5625	221	1420	56	15°	10°	9000	20000
	4800	189	2780	109	6075	239	1570	62	15°	10°	9000	20000
	5400	213	2980	117	6675	263	1770	70	15°	10°	8700	19200
	5850	230	3130	123	7125	281	1920	76	15°	10°	8350	18400
	6540	257	3410	134	7815	308	2200	87	15°	10°	7900	17400
	7650	301	3780	149	8925	351	2570	101	15°	10°	5400	11900

Standard Features

1. Doosan 3.4L diesel engine
2. Auto-throttle up when using hydraulics
2. Auto tensioner on engine drive belt
3. Electronic controlled 3-speed auto-shift transmission
4. Oil-cooled disc brakes
5. Suspension seat with armrest
6. 7" full color operator display
7. Telescopic and tilting steering column
8. Large entry grab bars
9. Rear handle/horn for reverse driving
10. 12-volt power port and USB
11. Electric parking brake
12. Adjustable speed limits
13. Left and right rear view mirrors
14. Front LED worklights
15. Performance modes (Eco/STD/Power)
16. Sealed electrical connectors
17. Door ajar notification
18. Manual tilt overhead guard (for serviceability)
19. Centralized control panel for switches
20. IP67 or higher electrical connectors
21. Centralized electrical junction box

Optional Equipment

1. Tilt position assist (auto-tilt leveling)
2. Heated suspension seat with armrest
3. Finger tip control
4. Audio (radio with MP3)
5. Push button start
6. Seat belt interlock
7. 4th lever interlock for clamping attachments
8. Rear-view camera
9. Front/rear view cameras
10. Weight scales (hydraulic and load cell types)
11. Anti-surge function
12. Siren & microphone
13. Rear LED worklights
14. Additional transmission and hydraulic oil coolers
15. Radiator screen
16. Under protection belly plate
17. Pre-fuel filter
18. Engine block heater
19. Mud/debris guard rear
20. Automatic tilt overhead guard (for serviceability)
21. Tankless air compressor
22. Tire options
23. Factory installed sidershifters and fork positioners
24. Full and modular cabins with heat and air conditioning
25. Various lighting solutions (Blue floor spot lights)
26. Operator cooling fans
27. Infolink®ready
28. Hydraulic accumulators (reduce carriage bounce)
29. Lifting eyes

Other Options Available

Contact your local Crown dealer.

Dimensions and performance data given may vary due to manufacturing tolerances. Performance is based on an average size vehicle and is affected by weight, condition of truck, how it is equipped and the conditions of the operating area. Crown products and specifications are subject to change without notice.

**Crown Equipment Corporation**

New Bremen, Ohio 45869 USA

Tel 419-629-2311

Fax 419-629-3796

crown.com

You can count on Crown to sell lift trucks designed for safe operation, but that's only part of the safety equation. Crown encourages safe operating practices through ongoing operator training, safety-focused supervision, maintenance and a safe working environment. Go to crown.com and view our safety section to learn more.

Because Crown is continually improving its products, specifications are subject to change without notice.

Crown, the Crown logo, the color beige, the Momentum symbol, and Infolink are trademarks of Crown Equipment Corporation in the United States and other countries.

Copyright 2022 Crown Equipment Corporation
SF20551 03-22
Printed in U.S.A.