

# V-HFE Series

High-Frequency Modular Chargers

- ▶ High Efficiency = Energy Savings
- ▶ Help Maximize Battery Life
- ▶ Simple and Flexible Configuration
- ▶ Compact and Lightweight
- ▶ High Reliability



# High Efficiency = Energy Savings

V-HFE Series Chargers offer industry leading energy efficiency over the entire charge cycle, saving money on energy bills.

With a compact design that uses less space in your operation, V-HFE Series Chargers deliver flexible solutions to suit almost any flooded battery. Achieve up to 38% power savings with the V-HFE Series Charger when compared to traditional Ferro and SCR chargers. With the ability to achieve 93% efficiency over an entire charge cycle, you can lower your costs by reducing amp-draw rate all while being environmentally sound. V-HFE chargers are compliant with California Energy Commission (CEC) regulations.

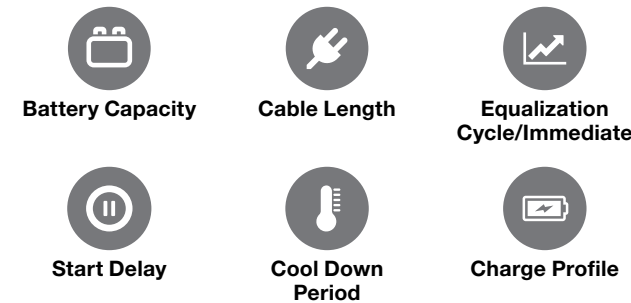


# Simple and Flexible Configuration

V-HFE Series Chargers provide two charge profiles:



In addition to selecting the charge profile, you can tailor your charger behavior to your installation with flexible configuration of:

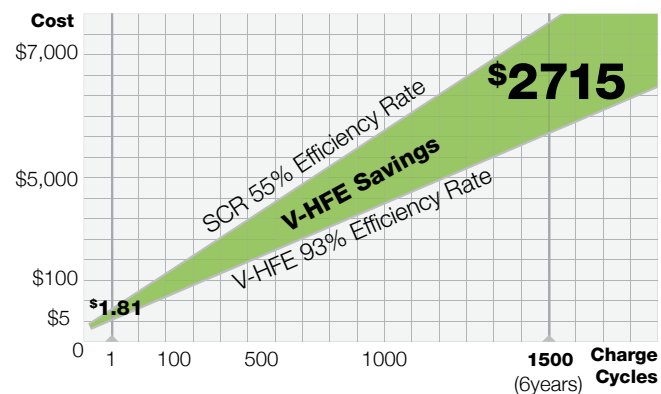


Chargers are configured from the front panel screen and keypad. No cables, software or complex internal switch configurations are required.

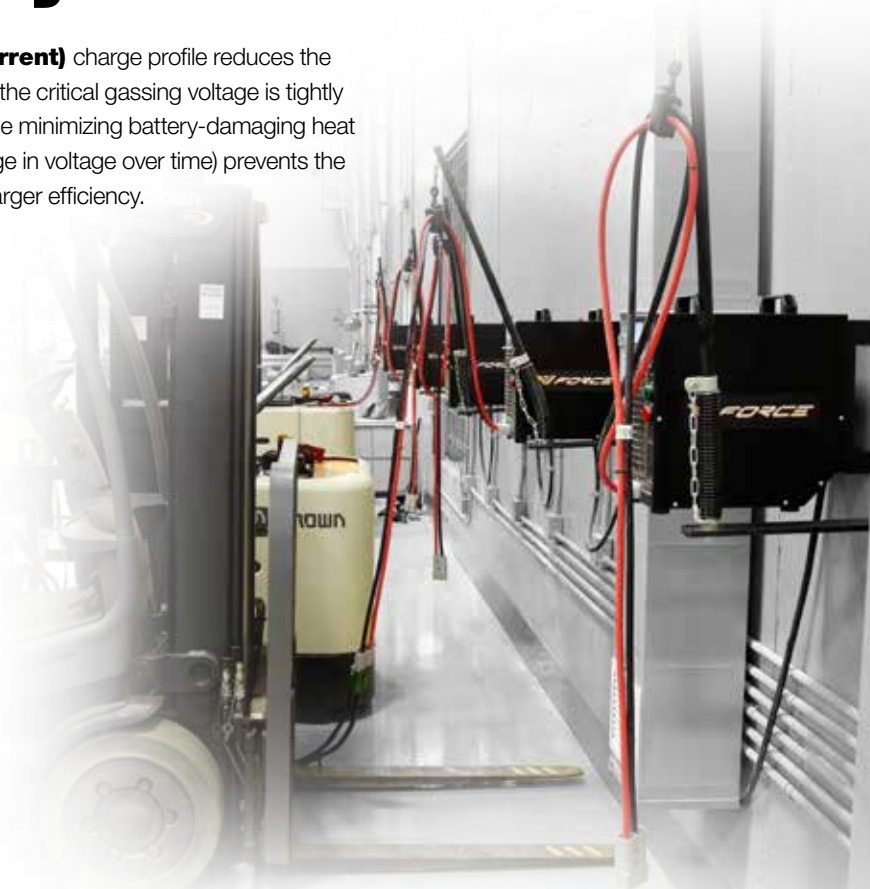
# Maximize Battery Life

IEI (constant current – constant voltage – constant current) charge profile reduces the amount of heat generated during the entire charge cycle. Notably, the critical gassing voltage is tightly controlled at the battery terminals during the constant voltage stage minimizing battery-damaging heat during each and every charge. Charge termination by dV/dt (change in voltage over time) prevents the battery from over and under charging to maximize battery and charger efficiency.

Why is efficiency important to you?  
It saves you money!

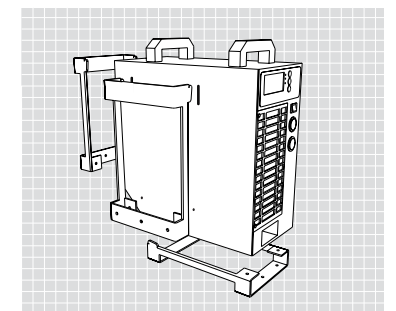
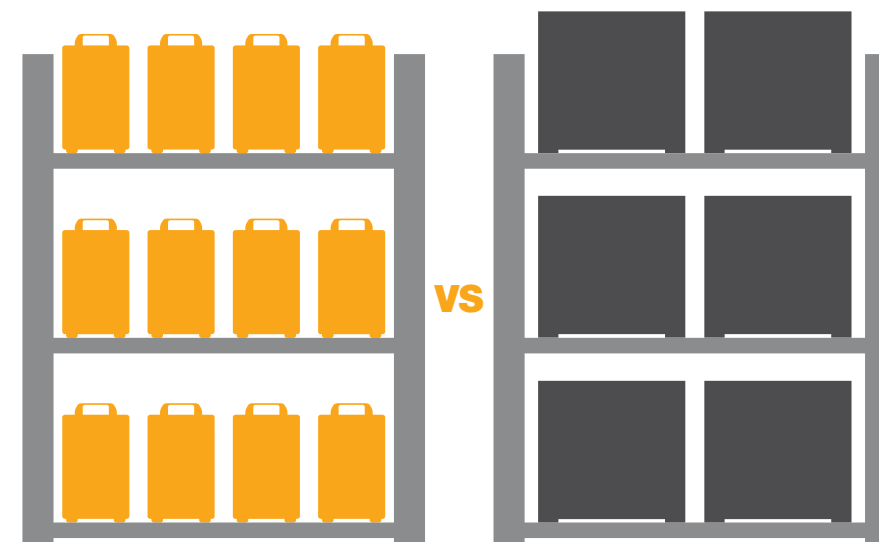


Within the chart above, \$1.81 represents the savings per charge cycle when charging a 36V 1050AH battery with a V-HFE charger versus a typical SCR/Ferro charger. \*KWH rate of \$.07 used.



# Compact and Lightweight

Due to the high frequency switching technology employed by the V-HFE charger they are a fraction of the size and weight of traditional chargers. The V-HFE charger offers a smaller footprint and occupies approximately 67% less space than the typical charger cabinet so more chargers can be situated in a given charging location.



Mount the compact V-HFE charger using the universal bracket where it makes sense for your operation – on the wall, shelf, or a rack. The mounting bracket is included with every charger.

▼ **Specifications**

Model Number	FS3-MP124-2	FS3-MP324-2	FS3-MP124-3	FS3-MP324-3	FS3-MP136-2	FS3-MP336-2	FS3-MP336-3	FS3-MP348-3
<b>Cabinet Sizes</b>	FS3							
<b>Number of Modules</b>	2	2	3	3	2	2	3	3
<b>Max DC Amps</b>	120	120	180	180	120	120	180	150
<b>DC Voltage</b>	24	24	24	24	36	36	36	48
<b>Amp Hour Range Conventional</b>	300-750	300-750	750-1050	750-1050	300-750	300-750	300-1200	300-1050
<b>Single/Triple Phase</b>	1,3	3	1,3	3	1,3	3	3	3
<b>AC Input</b>	208, 240	480	208, 240	480	208, 240	480	480	480
<b>Max Weight</b>	40 lbs.	40 lbs.	46 lbs.	46 lbs.	40 lbs.	40 lbs.	46 lbs.	46 lbs.
<b>Dimensions</b>	7.75" W x 15.15" D x 15.25" H							
<b>Frequency Range</b>	50-60Hz							
<b>CE and RoHS Compliant</b>	UL Listed							
<b>Warranty</b>	1 year full + 4 years parts							



**Crown Equipment Corporation**  
 New Bremen, Ohio 45869 USA  
**Tel** 419-629-2311  
**Fax** 419-629-2099  
 crown.com

Distributed by Crown Equipment Corporation  
 Specifications subject to change.

Crown, the Crown logo, V-Force and the VForce logo are trademarks of Crown Equipment Corporation.

Copyright 2016 Crown Equipment Corporation  
 PF19475 03-16  
 Printed in U.S.A.