

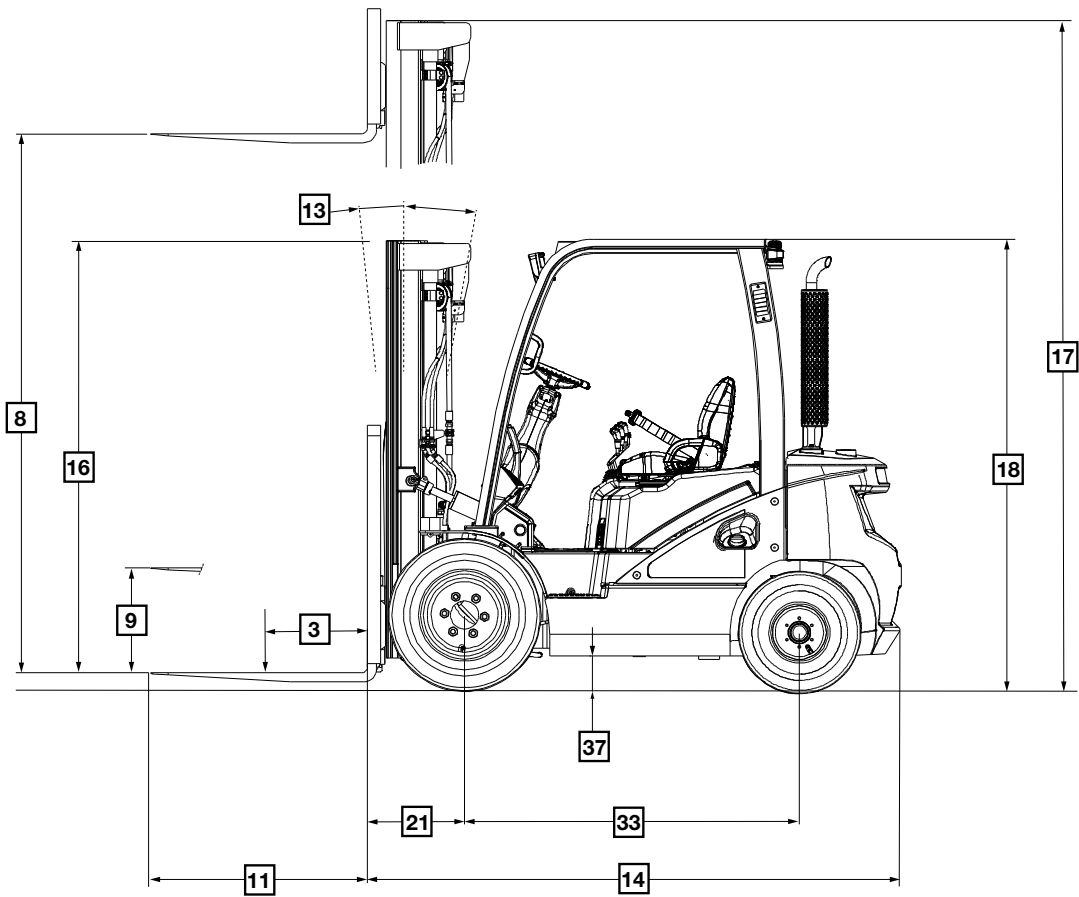
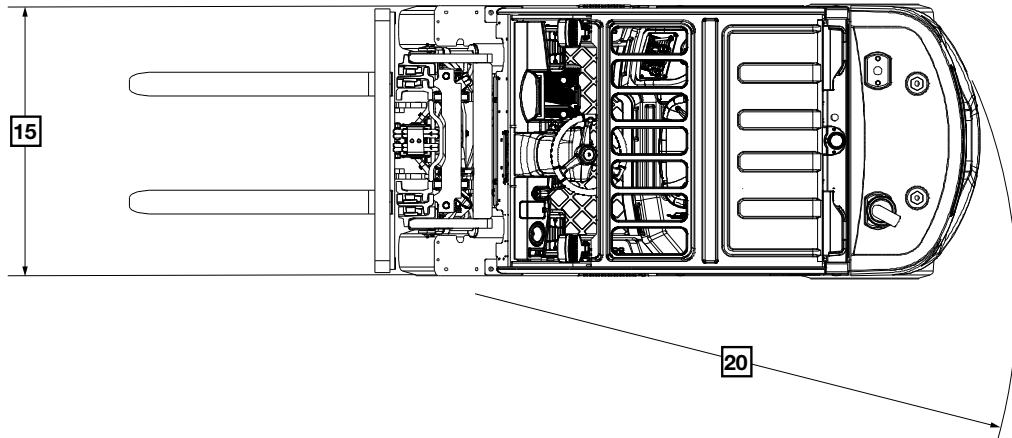
CROWN

C-G

8,000-12,000 lb Capacity
IC Pneumatic Tire

Specifications





C-G Series

Specifications

| | | | | CG35S-7 | CG40S-7 | CG45S-7 | CG50C-7 | CG55C-7 | |
|-----------------|-----------------------------|------------------------------|-------------------------------|---------------|-----------------------------------|-----------------------------------|-----------------------------------|------------------------------------|------------------------------------|
| Characteristics | 1 | Model | | | | | | | |
| | 2 | Load Capacity | At Rated Load Center | lb (kg) | 8,000 (3,500) | 9,000 (4,000) | 10,000 (4,500) | 11,000 (5,000) | 12,000 (5,500) |
| | 3 | Load Center | | in (mm) | 24 (600) | 24 (600) | 24 (600) | 24 (600) | 24 (600) |
| | 4 | Power Type | Elec, Diesel, LPG, Gasoline | | LPG | LPG | LPG | LPG | LPG |
| | 5 | Operator Type | | | Sit-down | Sit-down | Sit-down | Sit-down | Sit-down |
| | 6 | Tire Type | P:Pneumatic | | P | P | P | P | P |
| | 7 | Wheels (x = driven) | Front / Rear | | x 2 / 2 | x 2 / 2 | x 2 / 2 | x 2 / 2 | x 2 / 2 |
| Dimensions | 8 | Maximum Fork Ht. | with Std 2-Stage Mast | in (mm) | 118.1 (3,000) | 118.1 (3,000) | 118.1 (3,000) | 120.1 (3,050) | 120.1 (3,050) |
| | 9 | Free Lift | | in (mm) | 6.3 (160) | 6.3 (160) | 6.3 (160) | 6.7 (170) | 6.7 (170) |
| | 10 | Fork Carriage | ISO Class | | III | III | IV | IV | IV |
| | 11 | Forks | Length x Width x Thickness | in (mm) | 41.3x5.9x2.0 (1,050x150x50) | 41.3x5.9x2.0 (1,050x150x50) | 47.2x5.9x2.0 (1,200x150x50) | 47.2x5.9x2.4 (1,200x150x60) | 47.2x5.9x2.4 (1,200x150x60) |
| | 12 | | Fork Carriage Width | in (mm) | 49.2 (1,250) | 49.2 (1,250) | 52.4 (1,330) | 52.4 (1,330) | 52.4 (1,330) |
| | 13 | Tilt of Mast | Forward / Backward | | deg | 8 / 10 | 8 / 10 | 8 / 10 | 8 / 10 |
| | 14 | Overall Dimensions | Length to Fork Face | in (mm) | 123 (3,115) | 125 (3,165) | 129 (3,280) | 131 (3,325) | 132 (3,350) |
| | 15 | | Overall Width | in (mm) | 54.0 (1,370) | 57.1 (1,455) | 57.1 (1,455) | 57.1 (1,455) | 57.1 (1,455) |
| | 16 | | Mast Lowered Height | in (mm) | 87.6 (2,225) | 87.8 (2,230) | 87.8 (2,230) | 93.7 (2,380) | 93.7 (2,380) |
| | 17 | | Mast Extended Height | in (mm) | 167.9 (4,265) | 168.1 (4,270) | 174.0 (4,420) | 176.0 (4,470) | 176.0 (4,470) |
| | 18 | | Overhead Guard Height | in (mm) | 87.6 (2,225) | 87.8 (2,230) | 87.8 (2,230) | 87.8 (2,230) | 87.8 (2,230) |
| | 19 | | Seat Height | in (mm) | 49.1 (1,248) | 49.4 (1,255) | 49.4 (1,255) | 49.4 (1,255) | 49.4 (1,255) |
| | 20 | Turning Radius | Minimum Outside | | in (mm) | 111 (2,782) | 112 (2,832) | 113 (2,877) | 115 (2,925) |
| 21 | Load Moment Constant | | in (mm) | 22.1 (561) | 22.1 (561) | 22.1 (561) | 22.5 (571) | 22.5 (571) | |
| Performance | 22 | Travel Speed | Loaded / Unloaded | mph (km/h) | 12.4 / 13.0 (20 / 21) | 12.1 / 12.7 (19.5 / 20.5) | 12.1 / 12.7 (19.5 / 20.5) | 12.1 / 12.7 (19.5 / 20.5) | 12.1 / 12.7 (19.5 / 20.5) |
| | 23 | Lifting Speed | Loaded / Unloaded | fpm (mm/s) | 98.4 / 106.3 (500 / 540) | 98.4 / 106.3 (500 / 540) | 98.4 / 106.3 (500 / 540) | 96.6 / 106 (490 / 540) | 92.5 / 106.3 (470 / 540) |
| | 24 | Lowering Speed | Loaded / Unloaded | fpm (mm/s) | 94.5 / 88.6 (480 / 450) | 94.5 / 88.6 (480 / 450) | 94.5 / 88.6 (480 / 450) | 96.5 / 88.6 (490 / 450) | 96.5 / 88.6 (490 / 450) |
| | 25 | Max Drawbar Pull | Loaded at 1.0 mph (1.6 km/h) | lb (kg) | 7,810 (3,543) | 7,670 (3,479) | 7,715 (3,499) | 7,656 (3,472) | 7,612 (3,453) |
| | 26 | Max Gradeability | Loaded at 1.0 mph (1.6 km/h) | % | 41.3 | 36.4 | 33.3 | 30.1 | 27.8 |
| Weight | 27 | Total Weight | Unloaded | lb (kg) | 12,765 (5,790) | 13,625 (6,180) | 14,440 (6,550) | 15,543 (7,050) | 16,292 (7,390) |
| | 28 | Axle Load | Loaded, Front / Rear | lb (kg) | 18,111 / 2,370 (8,215 / 1,075) | 19,798 / 2,646 (8,980 / 1,200) | 21,605 / 2,756 (9,800 / 1,250) | 23,545 / 3,020 (10,680 / 1,370) | 25,067 / 3,351 (11,370 / 1,520) |
| | 29 | | Unloaded, Front / Rear | lb (kg) | 5,919 / 6,845 (2,685 / 3,105) | 5,864 / 7,760 (2,660 / 3,520) | 6,195 / 8,245 (2,810 / 3,740) | 6,371 / 9,171 (2,890 / 4,160) | 6,173 / 10,119 (2,800 / 4,590) |
| Chassis | 30 | Tires | Size, Front Single | | 8.25x15-14 | 11.8x15-18 | 11.8x15-18 | 11.8x15-18 | 11.8x15-18 |
| | 31 | | Dual (Option) | | 7.50x16-12 | 7.50x16-12 | 7.50x16-12 | 7.50x16-12 | 7.50x16-12 |
| | 32 | | Size, Rear | | 7.00x12-12 | 7.00x12-12 | 7.00x12-12 | 7.00x12-14 | 7.00x12-14 |
| | 33 | Wheelbase | Distance | in (mm) | 78.7 (2,000) | 78.7 (2,000) | 82.7 (2,100) | 82.7 (2,100) | 82.7 (2,100) |
| | 34 | Tread Width | Front | in (mm) | 44.8 / 50.8 (1,138 / 1,290) | 45.4 / 50.8 (1,153 / 1,290) | 45.4 / 50.8 (1,153 / 1,290) | 45.4 / 50.8 (1,153 / 1,290) | 45.4 / 50.8 (1,153 / 1,290) |
| | 35 | | Rear | in (mm) | 43.9 (1,115) | 43.9 (1,115) | 43.9 (1,115) | 43.9 (1,115) | 43.9 (1,115) |
| | 36 | Ground Clearance | Loaded at the lowest point | in (mm) | 5.9 (150) | 6.5 (160) | 6.5 (160) | 6.5 (160) | 6.5 (160) |
| | 37 | | Loaded at center of wheelbase | in (mm) | 8 (205) | 8 (205) | 8 (205) | 8 (205) | 8 (205) |
| | 38 | Brakes | Service | | Foot / Hyd | Foot / Hyd | Foot / Hyd | Foot / Hyd | Foot / Hyd |
| 39 | Parking | | | Ratchet | Ratchet | Ratchet | Ratchet | Ratchet | |
| Power Train | 40 | Battery | Voltage / Ampere | V/AH | 12 / 75 | 12 / 75 | 12 / 75 | 12 / 75 | 12 / 75 |
| | 41 | Engine | Manufacturer / Model | | Kubota/WG 3800 | Kubota/WG 3800 | Kubota/WG 3800 | Kubota/WG 3800 | Kubota/WG 3800 |
| | 42 | | Rated Power (DIN) | HP/rpm | 92.5 / 2,500 | 92.5 / 2,500 | 92.5 / 2,500 | 92.5 / 2,500 | 92.5 / 2,500 |
| | 43 | | | kW/rpm | 69 / 2,500 | 69 / 2,500 | 69 / 2,500 | 69 / 2,500 | 69 / 2,500 |
| | 43 | | Maximum Torque | ft-lb/rpm | 213.9 / 1,200 | 213.9 / 1,200 | 213.9 / 1,200 | 213.9 / 1,200 | 213.9 / 1,200 |
| | 44 | n_m/rpm | | 290 / 1,200 | 290 / 1,200 | 290 / 1,200 | 290 / 1,200 | 290 / 1,200 | |
| | 44 | | Cylinders / Displacements | CC | 4 / 3,769 | 4 / 3,769 | 4 / 3,769 | 4 / 3,769 | 4 / 3,769 |
| 45 | Transmission | Type | | Powershift | Powershift | Powershift | Powershift | Powershift | |
| 46 | | Number of Speeds (Fwd / Rev) | | 2 / 2 | 2 / 2 | 2 / 2 | 2 / 2 | 2 / 2 | |
| 46 | Attachments | Oil Volume | gpm (l/min) | 21.1 (80) | 21.1 (80) | 21.1 (80) | 21.1 (80) | 21.1 (80) | |
| | | Operating Pressure | psi (bar) | 2,030 (140) | 2,030 (140) | 2,030 (140) | 2,030 (140) | 2,030 (140) | |

Note: Specification values quoted in this specification sheet have been rounded. Performance may vary due to operation conditions. Products and specifications are subject to improvement and change without prior notices.

C-G Series

Specifications

Mast Chart CG35S-7

| Mast Type | Maximum Fork Height | | Maximum Lowered Height | | Fully Extended Height | | Free Lift | | Rated Load Capacities | | | | | | | | | |
|-----------|---------------------|------|------------------------|--------|-----------------------|---------|--------------------|---------|-----------------------|-----|--------------|------|-----------------|------|------|--------------|------|------|
| | | | | | | | | | CG35S-7 | | | | | | | | | |
| | | | | | With Load Backrest | | With Load Backrest | | Tilt Angle | | | | Load Capacities | | | | | |
| | | | | | | | | | Single Pneu. | | Double Pneu. | | Single Pneu. | | | Double Pneu. | | |
| FWD | BWD | FWD | BWD | LC24in | LC500mm | LC600mm | LC24in | LC500mm | LC600mm | | | | | | | | | |
| in | mm | in | mm | in | mm | in | mm | deg | deg | deg | deg | lb | kg | kg | lb | kg | kg | |
| TL | 118 | 3000 | 88 | 2225 | 168 | 4265 | 6 | 160 | 8 | 10 | 8 | 10 | 8000 | 4000 | 3655 | 8000 | 4000 | 3655 |
| | 130 | 3300 | 94 | 2375 | 180 | 4565 | 6 | 160 | 8 | 10 | 8 | 10 | 8000 | 4000 | 3655 | 8000 | 4000 | 3655 |
| | 144 | 3650 | 100 | 2550 | 194 | 4915 | 6 | 160 | 8 | 10 | 8 | 10 | 8000 | 4000 | 3655 | 8000 | 4000 | 3655 |
| | 157 | 4000 | 113 | 2875 | 207 | 5265 | 6 | 160 | 8 | 10 | 8 | 10 | 8000 | 4000 | 3655 | 8000 | 4000 | 3655 |
| | 167 | 4250 | 118 | 3000 | 217 | 5515 | 6 | 160 | 8 | 10 | 8 | 10 | 8000 | 4000 | 3655 | 8000 | 4000 | 3655 |
| 191 | 4850 | 136 | 3450 | 241 | 6115 | 6 | 160 | 8 | 8 | 8 | 10 | 7700 | 3850 | 3520 | 7750 | 3875 | 3545 | |
| TF | 118 | 3000 | 87 | 2205 | 167 | 4250 | 40 | 1005 | 8 | 10 | 8 | 10 | 8000 | 4000 | 3660 | 8000 | 4000 | 3660 |
| TT | 157 | 4000 | 82 | 2090 | 207 | 5265 | 35 | 890 | 8 | 8 | 8 | 8 | 7950 | 3975 | 3645 | 8000 | 4000 | 3670 |
| | 167 | 4250 | 86 | 2175 | 218 | 5530 | 38 | 975 | 8 | 8 | 8 | 8 | 7800 | 3900 | 3575 | 7900 | 3950 | 3625 |
| | 185 | 4700 | 92 | 2325 | 235 | 5980 | 44 | 1125 | 8 | 8 | 8 | 8 | 7550 | 3775 | 3465 | 7600 | 3800 | 3485 |
| | 203 | 5150 | 97 | 2475 | 253 | 6430 | 50 | 1275 | 8 | 5 | 8 | 8 | 7300 | 3650 | 3350 | 7350 | 3675 | 3370 |
| | 220 | 5600 | 103 | 2625 | 271 | 6880 | 56 | 1425 | 8 | 3 | 8 | 8 | 7050 | 3525 | 3235 | 7100 | 3550 | 3255 |
| 238 | 6050 | 109 | 2775 | 289 | 7330 | 62 | 1575 | 8 | 3 | 8 | 5 | 6150 | 3075 | 2820 | 6900 | 3450 | 3165 | |

Mast Chart CG40S-7

| Mast Type | Maximum Fork Height | | Maximum Lowered Height | | Fully Extended Height | | Free Lift | | Rated Load Capacities | | | | | | | | | |
|-----------|---------------------|------|------------------------|--------|-----------------------|---------|--------------------|---------|-----------------------|-----|--------------|------|-----------------|------|------|--------------|------|------|
| | | | | | | | | | CG40S-7 | | | | | | | | | |
| | | | | | With Load Backrest | | With Load Backrest | | Tilt Angle | | | | Load Capacities | | | | | |
| | | | | | | | | | Single Pneu. | | Double Pneu. | | Single Pneu. | | | Double Pneu. | | |
| FWD | BWD | FWD | BWD | LC24in | LC500mm | LC600mm | LC24in | LC500mm | LC600mm | | | | | | | | | |
| in | mm | in | mm | in | mm | in | mm | deg | deg | deg | deg | lb | kg | kg | lb | kg | kg | |
| TL | 118 | 3000 | 88 | 2230 | 168 | 4270 | 6 | 160 | 8 | 10 | 8 | 10 | 9000 | 4500 | 4115 | 9000 | 4500 | 4115 |
| | 130 | 3300 | 94 | 2380 | 180 | 4570 | 6 | 160 | 8 | 10 | 8 | 10 | 9000 | 4500 | 4115 | 9000 | 4500 | 4115 |
| | 144 | 3650 | 101 | 2555 | 194 | 4920 | 6 | 160 | 8 | 10 | 8 | 10 | 9000 | 4500 | 4115 | 9000 | 4500 | 4115 |
| | 157 | 4000 | 113 | 2880 | 207 | 5270 | 6 | 160 | 8 | 10 | 8 | 10 | 9000 | 4500 | 4115 | 9000 | 4500 | 4115 |
| | 167 | 4250 | 118 | 3005 | 217 | 5520 | 6 | 160 | 8 | 10 | 8 | 10 | 9000 | 4500 | 4115 | 9000 | 4500 | 4115 |
| 191 | 4850 | 136 | 3455 | 241 | 6120 | 6 | 160 | 8 | 8 | 8 | 10 | 8800 | 4400 | 4025 | 8850 | 4425 | 4045 | |
| TF | 118 | 3000 | 87 | 2210 | 168 | 4255 | 40 | 1010 | 8 | 10 | 8 | 10 | 9000 | 4500 | 4115 | 9000 | 4500 | 4115 |
| TT | 157 | 4000 | 82 | 2090 | 207 | 5270 | 35 | 890 | 8 | 8 | 8 | 8 | 9000 | 4500 | 4125 | 9000 | 4500 | 4125 |
| | 167 | 4250 | 86 | 2180 | 218 | 5535 | 39 | 980 | 8 | 8 | 8 | 8 | 8950 | 4475 | 4105 | 9000 | 4500 | 4125 |
| | 185 | 4700 | 92 | 2330 | 236 | 5985 | 44 | 1130 | 8 | 8 | 8 | 8 | 8650 | 4325 | 3965 | 8700 | 4350 | 3990 |
| | 203 | 5150 | 97 | 2480 | 253 | 6435 | 50 | 1280 | 8 | 5 | 8 | 5 | 8350 | 4175 | 3830 | 8450 | 4225 | 3875 |
| | 220 | 5600 | 104 | 2630 | 271 | 6885 | 56 | 1430 | 8 | 3 | 8 | 3 | 8100 | 4050 | 3715 | 8150 | 4075 | 3740 |
| 238 | 6050 | 109 | 2780 | 289 | 7335 | 62 | 1580 | 8 | 3 | 8 | 3 | 7600 | 3800 | 3485 | 7900 | 3950 | 3625 | |

Mast Chart CG45S-7

| Mast Type | Maximum Fork Height | | Maximum Lowered Height | | Fully Extended Height | | Free Lift | | Rated Load Capacities | | | | | | | | | |
|-----------|---------------------|------|------------------------|--------|-----------------------|---------|--------------------|---------|-----------------------|-----|--------------|------|-----------------|------|------|--------------|------|------|
| | | | | | | | | | CG45S-7 | | | | | | | | | |
| | | | | | With Load Backrest | | With Load Backrest | | Tilt Angle | | | | Load Capacities | | | | | |
| | | | | | | | | | Single Pneu. | | Double Pneu. | | Single Pneu. | | | Double Pneu. | | |
| FWD | BWD | FWD | BWD | LC24in | LC500mm | LC600mm | LC24in | LC500mm | LC600mm | | | | | | | | | |
| in | mm | in | mm | in | mm | in | mm | deg | deg | deg | deg | lb | kg | kg | lb | kg | kg | |
| TL | 118 | 3000 | 88 | 2230 | 174 | 4420 | 6 | 160 | 8 | 10 | 8 | 10 | 10,000 | 5000 | 4570 | 10,000 | 5000 | 4570 |
| | 130 | 3300 | 94 | 2380 | 186 | 4720 | 6 | 160 | 8 | 10 | 8 | 10 | 10,000 | 5000 | 4570 | 10,000 | 5000 | 4570 |
| | 144 | 3650 | 101 | 2555 | 200 | 5070 | 6 | 160 | 8 | 10 | 8 | 10 | 10,000 | 5000 | 4570 | 10,000 | 5000 | 4570 |
| | 157 | 4000 | 113 | 2880 | 213 | 5420 | 6 | 160 | 8 | 10 | 8 | 10 | 10,000 | 5000 | 4570 | 10,000 | 5000 | 4570 |
| | 167 | 4250 | 118 | 3005 | 223 | 5670 | 6 | 160 | 8 | 10 | 8 | 10 | 10,000 | 5000 | 4570 | 10,000 | 5000 | 4570 |
| 191 | 4850 | 136 | 3455 | 247 | 6270 | 6 | 160 | 8 | 5 | 8 | 10 | 9800 | 4900 | 4480 | 9400 | 4700 | 4295 | |
| TF | 118 | 3000 | 87 | 2210 | 173 | 4400 | 34 | 860 | 8 | 10 | 8 | 10 | 10,000 | 5000 | 4575 | 10,000 | 5000 | 4575 |
| TT | 157 | 4000 | 82 | 2090 | 213 | 5415 | 29 | 740 | 8 | 8 | 8 | 8 | 10,000 | 5000 | 4585 | 10,000 | 5000 | 4585 |
| | 167 | 4250 | 86 | 2180 | 224 | 5680 | 33 | 830 | 8 | 8 | 8 | 8 | 9950 | 4975 | 4565 | 10,000 | 5000 | 4585 |
| | 185 | 4700 | 92 | 2330 | 241 | 6130 | 39 | 980 | 8 | 8 | 8 | 8 | 9600 | 4800 | 4400 | 9700 | 4850 | 4450 |
| | 203 | 5150 | 97 | 2480 | 259 | 6580 | 44 | 1130 | 8 | 3 | 8 | 8 | 9300 | 4650 | 4265 | 9400 | 4700 | 4310 |
| | 220 | 5600 | 104 | 2630 | 277 | 7030 | 50 | 1280 | 8 | 3 | 8 | 5 | 9000 | 4500 | 4125 | 9100 | 4550 | 4175 |
| 238 | 6050 | 109 | 2780 | 294 | 7480 | 56 | 1430 | 8 | 3 | 8 | 3 | 7150 | 3575 | 3280 | 8050 | 4025 | 3690 | |

C-G Series

Specifications

Mast Chart CG50C-7

| Mast Type | Maximum Fork Height | | Maximum Lowered Height | | Fully Extended Height | | Free Lift | | Rated Load Capacities | | | | | | | | | |
|-----------|---------------------|------|------------------------|------|-----------------------|------|--------------------|------|-----------------------|-----|--------------|-----|-----------------|---------|---------|--------------|---------|---------|
| | | | | | | | | | CG50C-7 | | | | | | | | | |
| | | | | | With Load Backrest | | With Load Backrest | | Tilt Angle | | | | Load Capacities | | | | | |
| | | | | | | | | | Single Pneu. | | Double Pneu. | | Single Pneu. | | | Double Pneu. | | |
| | | | | | | | | | FWD | BWD | FWD | BWD | LC24in | LC500mm | LC600mm | LC24in | LC500mm | LC600mm |
| in | mm | in | mm | in | mm | in | mm | deg | deg | deg | deg | lb | kg | kg | lb | kg | kg | |
| TL | 108 | 2750 | 88 | 2230 | 164 | 4170 | 7 | 170 | 8 | 10 | 8 | 10 | 11,000 | 5500 | 5030 | 11,000 | 5500 | 5030 |
| | 120 | 3050 | 94 | 2380 | 176 | 4470 | 7 | 170 | 8 | 10 | 8 | 10 | 11,000 | 5500 | 5030 | 11,000 | 5500 | 5030 |
| | 134 | 3400 | 101 | 2555 | 190 | 4820 | 7 | 170 | 8 | 10 | 8 | 10 | 11,000 | 5500 | 5030 | 11,000 | 5500 | 5030 |
| | 148 | 3750 | 113 | 2880 | 204 | 5170 | 7 | 170 | 8 | 10 | 8 | 10 | 11,000 | 5500 | 5030 | 11,000 | 5500 | 5030 |
| | 157 | 4000 | 118 | 3005 | 213 | 5420 | 7 | 170 | 8 | 10 | 8 | 10 | 11,000 | 5500 | 5030 | 11,000 | 5500 | 5030 |
| | 181 | 4600 | 136 | 3455 | 237 | 6020 | 7 | 170 | 8 | 8 | 8 | 10 | 11,000 | 5500 | 5030 | 10,300 | 5125 | 4690 |
| TF | 113 | 2875 | 87 | 2210 | 168 | 4275 | 34 | 870 | 8 | 10 | 8 | 10 | 11,000 | 5500 | 5035 | 11,000 | 5500 | 5035 |
| TT | 153 | 3875 | 82 | 2090 | 208 | 5290 | 30 | 750 | 8 | 8 | 8 | 8 | 11,000 | 5500 | 5050 | 11,000 | 5500 | 5050 |
| | 162 | 4125 | 86 | 2180 | 219 | 5555 | 33 | 840 | 8 | 8 | 8 | 8 | 11,000 | 5500 | 5050 | 11,000 | 5500 | 5050 |
| | 180 | 4575 | 92 | 2330 | 236 | 6005 | 39 | 990 | 8 | 8 | 8 | 8 | 10,850 | 5375 | 4935 | 10,950 | 5425 | 4980 |
| | 198 | 5025 | 98 | 2480 | 254 | 6455 | 45 | 1140 | 8 | 5 | 8 | 8 | 10,500 | 5200 | 4775 | 10,400 | 5150 | 4725 |
| | 216 | 5475 | 104 | 2630 | 272 | 6905 | 51 | 1290 | 8 | 3 | 8 | 5 | 9400 | 4650 | 4270 | 9600 | 4750 | 4360 |
| | 233 | 5925 | 109 | 2780 | 290 | 7355 | 57 | 1440 | 8 | 3 | 8 | 5 | 7300 | 3625 | 3330 | 7100 | 3525 | 3235 |

Mast Chart CG55C-7

| Mast Type | Maximum Fork Height | | Maximum Lowered Height | | Fully Extended Height | | Free Lift | | Rated Load Capacities | | | | | | | | | |
|-----------|---------------------|------|------------------------|------|-----------------------|------|--------------------|------|-----------------------|-----|--------------|-----|-----------------|---------|--------|--------------|--|--|
| | | | | | | | | | CG55C-7 | | | | | | | | | |
| | | | | | With Load Backrest | | With Load Backrest | | Tilt Angle | | | | Load Capacities | | | | | |
| | | | | | | | | | Single Pneu. | | Double Pneu. | | Single Pneu. | | | Double Pneu. | | |
| | | | | | | | | | FWD | BWD | FWD | BWD | LC24in | LC600mm | LC24in | LC600mm | | |
| in | mm | in | mm | in | mm | in | mm | deg | deg | deg | deg | lb | kg | lb | kg | | | |
| TL | 108 | 2750 | 88 | 2230 | 164 | 4170 | 7 | 170 | 8 | 10 | 8 | 10 | 12,100 | 5500 | 12,100 | 5500 | | |
| | 120 | 3050 | 94 | 2380 | 176 | 4470 | 7 | 170 | 8 | 10 | 8 | 10 | 12,100 | 5500 | 12,100 | 5500 | | |
| | 134 | 3400 | 101 | 2555 | 190 | 4820 | 7 | 170 | 8 | 10 | 8 | 10 | 12,100 | 5500 | 12,100 | 5500 | | |
| | 148 | 3750 | 113 | 2880 | 204 | 5170 | 7 | 170 | 8 | 10 | 8 | 10 | 12,100 | 5500 | 12,100 | 5500 | | |
| | 157 | 4000 | 118 | 3005 | 213 | 5420 | 7 | 170 | 8 | 10 | 8 | 10 | 12,100 | 5500 | 12,100 | 5500 | | |
| | 181 | 4600 | 136 | 3455 | 237 | 6020 | 7 | 170 | 8 | 8 | 8 | 10 | 11,850 | 5400 | 10,750 | 4900 | | |
| TF | 113 | 2875 | 87 | 2210 | 168 | 4275 | 34 | 870 | 8 | 10 | 8 | 10 | 12,100 | 5500 | 12,100 | 5500 | | |
| TT | 153 | 3875 | 82 | 2090 | 208 | 5290 | 30 | 750 | 8 | 8 | 8 | 8 | 12,100 | 5500 | 12,100 | 5500 | | |
| | 162 | 4125 | 86 | 2180 | 219 | 5555 | 33 | 840 | 8 | 8 | 8 | 8 | 12,100 | 5500 | 12,100 | 5500 | | |
| | 180 | 4575 | 92 | 2330 | 236 | 6005 | 39 | 990 | 8 | 8 | 8 | 8 | 12,100 | 5500 | 12,100 | 5500 | | |
| | 198 | 5025 | 98 | 2480 | 254 | 6455 | 45 | 1140 | 8 | 5 | 8 | 8 | 11,350 | 5150 | 10,850 | 4925 | | |
| | 216 | 5475 | 104 | 2630 | 272 | 6905 | 51 | 1290 | 8 | 3 | 8 | 5 | 9900 | 4500 | 10,850 | 4575 | | |
| | 233 | 5925 | 109 | 2780 | 290 | 7355 | 57 | 1440 | 8 | 3 | 8 | 5 | 7700 | 3500 | 7400 | 3375 | | |

Standard Features

1. Kubota 3.8 Liter 4-cylinder LPG engine compliant to current EPA and CARB standards.
2. 2 Speed Powershift transmission with Autoshift feature
3. Cast Iron one piece axle housing
4. Oil-cooled Disc Brakes – Fully enclosed with 5 year 10,000 hr warranty
5. Rugged steer axle with large King Pins and tapered roller bearings
6. Lift and Tilt locking hydraulic valve
7. Carriage Side Thrust rollers
8. Dual Element air cleaner with high air intake
9. Operator design features
 - Wide Spacious floorboard
 - Tilt Steering Column
 - Suspension seat (vinyl or cloth) with high visibility seat belt
 - OSS Operator Sensing System
 - Park brake alarm and seat belt indicator
 - Rear travel handle with horn
 - Low front cowl/dash optimizes site lines
 - Clear view overhead guard and mast design
 - Large Dual Mirrors
 - Front Halogen Work Lights
 - Easy to read gauges monitor engine oil pressure, engine coolant, transmission temp, brake oil level and mast interlock
 - Spinner Knob

Optional Equipment

1. Tilt Position Assist
2. Adjustable Top Speed Control
3. Hydraulic Lift Circuit Accumulators
4. Pre-Cleaner Air Intake
5. Dual Operator Fans
6. Panoramic Mirror
7. Fuel Sensor Light / Alarm
8. 12 Volt auxiliary supply
9. Fire Extinguisher
10. Combo Lights with Turn signals
11. Overhead guard covers
12. Enclosed Cab
13. Solid Pneumatic (super-elastic) Tires
14. Various Light Packages
15. Static Strap
16. InfoLink®
17. Quick Disconnect Attachment Couplings

Warning Device Options

Audible or Visual Alerts

Safety considerations and dangers associated with audible travel alarms and lights include:

- Multiple alarms and/or lights can cause confusion.
- Workers ignore the alarms and/or lights after day-in and day-out exposure.
- Operator may transfer the responsibility for “looking out” to the pedestrians.
- Annoys operators and pedestrians.

Other Options Available

Contact factory for additional options.

Dimensions and performance data given may vary due to manufacturing tolerances. Performance is based on an average size vehicle and is affected by weight, condition of truck, how it is equipped and the conditions of the operating area. Crown products and specifications are subject to change without notice.

**Crown Equipment Corporation**

New Bremen, Ohio 45869 USA

Tel 419-629-2311

Fax 419-629-3796

crown.com

You can count on Crown to build lift trucks designed for safe operation, but that's only part of the safety equation. Crown encourages safe operating practices through ongoing operator training, safety-focused supervision, maintenance and a safe working environment. Go to crown.com and view our safety section to learn more.

Because Crown is continually improving its products, specifications are subject to change without notice.

Crown, the Crown logo, the color beige, the Momentum symbol, and InfoLink are trademarks of Crown Equipment Corporation in the United States and other countries.

Copyright 2018-2020 Crown Equipment Corporation
SF19850 Rev. 02-20
Printed in U.S.A.