

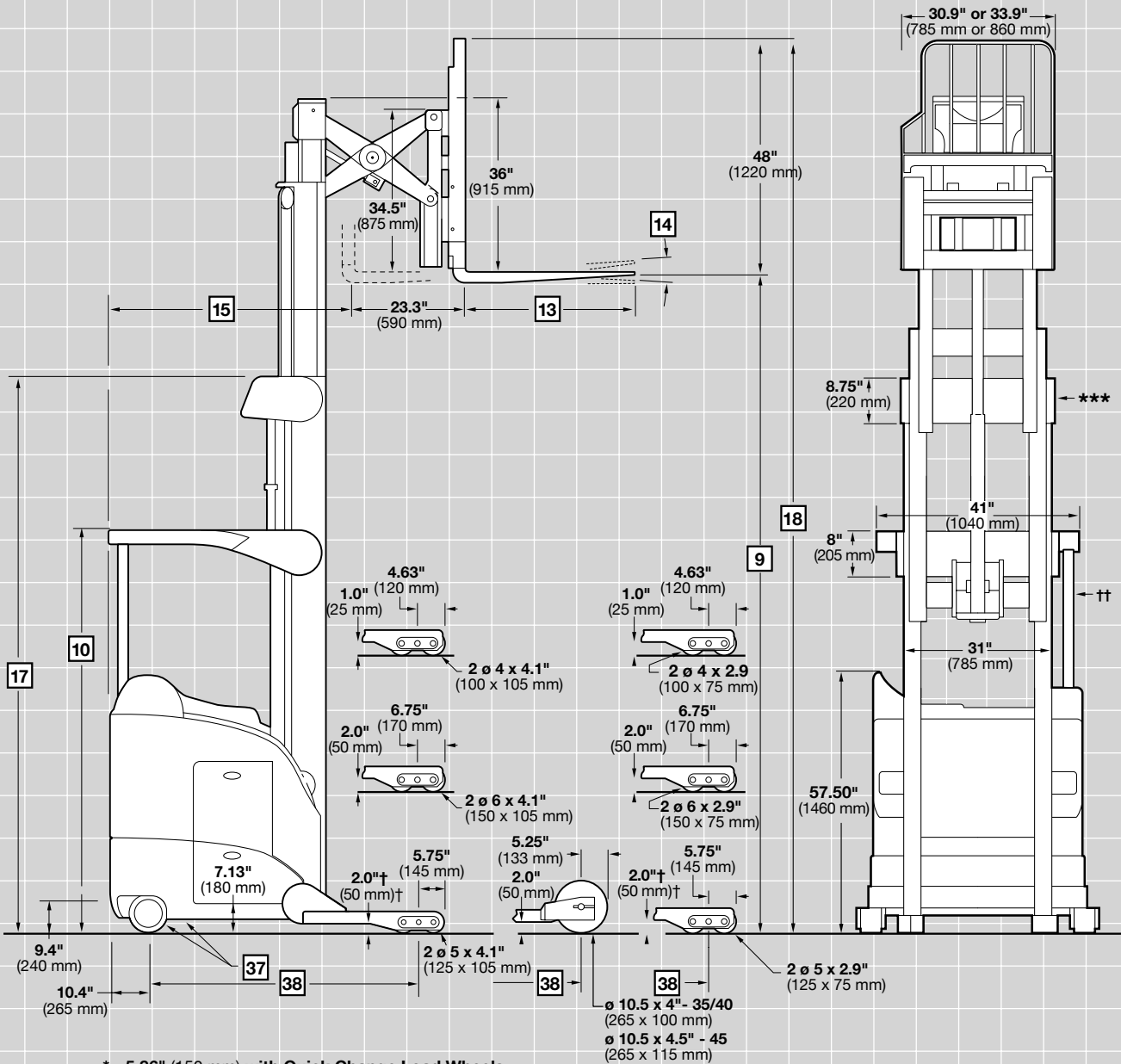
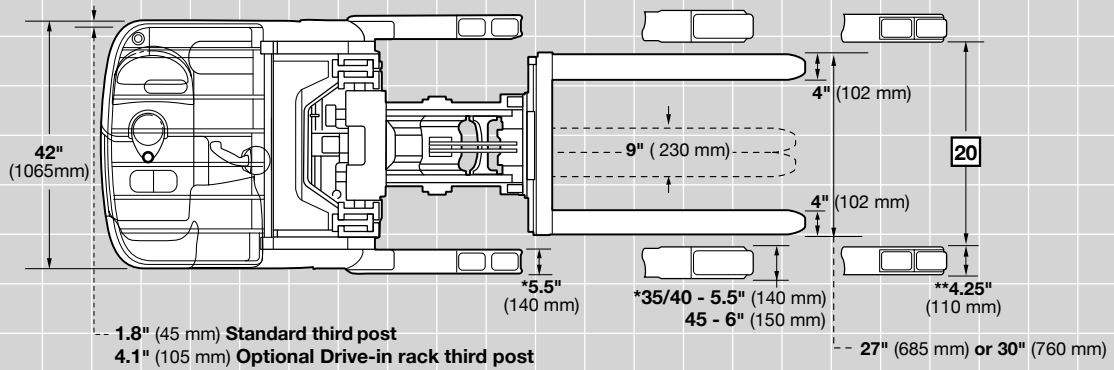
**CROWN**

# RR 5700 SERIES

## Specifications

Narrow-Aisle Reach Truck



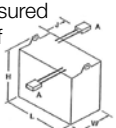


\* 5.86" (150 mm) with Quick Change Load Wheels  
 \*\* 4.6" (120 mm) with Quick Change Load Wheels  
 \*\*\* Top tie bar width- 33" (835 mm) for 240" (6095 mm) or 270" (6860 mm) lift. 35" (900 mm) for 300" (7620 mm) and above.  
 † 1" (25 mm) on lift heights above 321" (8150 mm)  
 †† Standard third post location, refer to dimension in top view.

**RR 5700 Series**

**Specifications**

			Imperial	Metric	Imperial	Metric		
General Information	1	<b>Manufacturer</b>	Crown Equipment Corporation					
	2	<b>Model</b>	RR 5715-35		RR 5715-40			
	3	<b>Load Capacity*</b>	Max	lb kg	3500	1585	4000	1810
	4	<b>Load Center</b>	Fork Face to Load CG	in mm	24	600	24	600
	5	<b>Power</b>	24 Volts					
	6	<b>Operator Type</b>	Reach	Stand				
	7	<b>Tire Type</b>	Load/Caster/Drive	Poly / Poly / Poly				
	8	<b>Wheels (x = driven)</b>	Load/Power Unit	4 / 2 (1x)				
Dimensions		<b>Mast Type</b>	High Visibility					
	9	<b>Lift Height</b>		in mm	See Mast Chart			
	10	<b>Guard Height</b>		in mm	See Mast Chart			
	13	<b>Forks</b>	Standard L x W x T	in mm	36 x 4 x 1.75		915 x 102 x 45	
			Optional Lengths	in mm	30, 39, 42, 45, 48		760, 990, 1065, 1145, 1220	
	14	<b>Carriage</b>	Tilt F°/B°	degree	3 / 4			
	15	<b>Headlength</b>	Comp't "B"	in mm	51.25	1300	51.25	1300
			Comp't "C"	in mm	53.25	1355	53.25	1355
			Comp't "D"	in mm	na	na	na	na
			Comp't "E"	in mm	na	na	na	na
17	<b>Overall Collapsed Ht.</b>		in mm	See Mast Chart				
18	<b>Overall Extended Ht.</b>		in mm	See Mast Chart				
20	<b>Inside Straddle Width**</b>	In 1" (25 mm) increments	in mm	34 - 50	860 - 1270	34 - 50	860 - 1270	
Performance	24	<b>Speed Travel</b>	Power Unit First (E/L)	mph kph	7.2 / 6.3	11.6 / 10.1	7.2 / 6.3	11.6 / 10.1
			Forks First (E/L)	mph kph	6.3 / 5.7	10.1 / 9.2	6.3 / 5.3	10.1 / 8.5
	25	<b>Speed Lift - DC†</b>	Empty	fpm mm/s	54	270	54	270
			1000 lb (455 kg)	fpm mm/s	46	230	46	230
			2000 lb (910 kg)	fpm mm/s	40	200	40	200
			3000 lb (1365 kg)	fpm mm/s	35	175	35	175
			3500 lb (1590 kg)	fpm mm/s	33	165	33	165
			4000 lb (1815 kg)	fpm mm/s	na	na	31	155
	25a	<b>Speed Lift - AC†</b>	Empty	fpm mm/s	na	na	na	na
			1000 lb (455 kg)	fpm mm/s	na	na	na	na
			2000 lb (910 kg)	fpm mm/s	na	na	na	na
			3000 lb (1365 kg)	fpm mm/s	na	na	na	na
			3500 lb (1590 kg)	fpm mm/s	na	na	na	na
	26	<b>Speed Lower</b>	Empty/Loaded	fpm mm/s	110 / 110	555 / 555	110 / 110	555 / 555
37	<b>Tires</b>	Size - Drive/Caster	in mm	13 x 5.5 / 8 x 4	330x140 / 203x102	13 x 5.5 / 8 x 4	330x140 / 203x102	
Chassis	38	<b>Wheelbase (Standard Wheel)</b>	Comp't "B"	in mm	54.24	1380	54.24	1380
			Comp't "C"	in mm	56.24	1430	56.24	1430
			Comp't "D"	in mm	na	na	na	na
			Comp't "E"	in mm	na	na	na	na
	39	<b>Suspension</b>	Drive	Articulated				
		Caster	Articulated, Swivel					
42	<b>Brakes</b>	Drive	Elec Release / Mech Applied					
		Caster	None					
		Parking	Elec Release / Mech Applied					
Battery	<b>Battery Removal</b>		Both Sides					
	45	<b>Type</b>	Lead Acid					
	46	<b>Min Weight/Max Amp</b>	Comp't "B"	lb/amp kg/amp	1600 / 1085	730 / 1085	1600 / 1085	725 / 1085
			Comp't "C"	lb/amp kg/amp	1880 / 1020	855 / 1020	1880 / 1020	855 / 1020
			Comp't "D"	lb/amp kg/amp	na	na	na	na
			Comp't "E"	lb/amp kg/amp	na	na	na	na
		<b>Max Battery Size</b>	Comp't "B" L x W x H	in mm	38.38 x 14.25 x 31	975 x 360 x 787	38.38 x 14.25 x 31	975 x 360 x 787
Comp't "C" L x W x H			in mm	38.38 x 16.25 x 31	975 x 415 x 787	38.38 x 16.25 x 31	975 x 415 x 787	
Comp't "D" L x W x H			in mm	na	na	na	na	
Comp't "E" L x W x H			in mm	na	na	na	na	
Connector Loc/Length (J)			in mm	A / 9				
		Standard Connector	SB350 Red					



\* Contact factory. Capacity may be subject to derating at height.  
 \*\* Inside straddle is decreased .35" (10 mm) with Quick Change Load Wheels.  
 † Maximum lift speeds with the maximum available battery compartment.

# RR 5700 Series

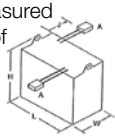
# Specifications

			Imperial	Metric	Imperial	Metric		
General Information	1	<b>Manufacturer</b>	Crown Equipment Corporation					
	2	<b>Model</b>	RR 5725-35		RR 5725-45			
	3	<b>Load Capacity*</b>	Max	lb kg	3500	1585	4500	2000
	4	<b>Load Center</b>	Fork Face to Load CG	in mm	24	600	24	600
	5	<b>Power</b>	36 Volts					
	6	<b>Operator Type</b>	Reach	Stand				
	7	<b>Tire Type</b>	Load/Caster/Drive	Poly / Poly / Poly				
	8	<b>Wheels (x = driven)</b>	Load/Power Unit	4 / 2 (1x)				
Dimensions		<b>Mast Type</b>	High Visibility					
	9	<b>Lift Height</b>		in mm	See Mast Chart			
	10	<b>Guard Height</b>		in mm	See Mast Chart			
	13	<b>Forks</b>	Standard L x W x T	in mm	36 x 4 x 1.75		915 x 102 x 45	
			Optional Lengths	in mm	30, 39, 42, 45, 48		760, 990, 1065, 1145, 1220	
	14	<b>Carriage</b>	Tilt F°/B°	degree	3 / 4			
	15	<b>Headlength</b>	Comp't "B"	in mm	51.25	1300	na	na
			Comp't "C"	in mm	53.25	1355	53.67	1365
			Comp't "D"	in mm	na	na	55.42	1410
			Comp't "E"	in mm	na	na	58.04	1475
	17	<b>Overall Collapsed Ht.</b>		in mm	See Mast Chart			
	18	<b>Overall Extended Ht.</b>		in mm	See Mast Chart			
20	<b>Inside Straddle Width**</b>	In 1" (25 mm) increments	in mm	34 - 50	860 - 1270	34 - 50	860 - 1270	
Performance	24	<b>Speed Travel</b>	Power Unit First (E/L)	mph kph	8.0 / 7.2	12.9 / 11.6	8.0 / 7.2	12.9 / 11.6
			Forks First (E/L)	mph kph	6.8 / 5.7	10.9 / 9.2	6.8 / 5.7	10.9 / 9.2
	25	<b>Speed Lift - AC†</b>	Empty	fpm mm/s	158	800	153	775
			1000 lb (455 kg)	fpm mm/s	138	700	139	707
			2000 lb (910 kg)	fpm mm/s	118	600	121	615
			3000 lb (1365 kg)	fpm mm/s	101	510	105	530
			3500 lb (1590 kg)	fpm mm/s	94	475	97	490
			4000 lb (1815 kg)	fpm mm/s	na	na	90	455
			4500 lb (2000 kg)	fpm mm/s	na	na	82	415
	26	<b>Speed Lower</b>	Empty/Loaded	fpm mm/s	110 / 110	555 / 555	110 / 110	555 / 555
37	<b>Tires</b>	Size - Drive/Caster	in mm	13 x 5.5 / 8 x 4	330x140 / 203x102	13 x 5.5 / 8 x 4	330x140 / 203x102	
Chassis	38	<b>Wheelbase (Standard Wheel)</b>	Comp't "B"	in mm	54.24	1380	na	na
			Comp't "C"	in mm	56.24	1430	58.32	1480
			Comp't "D"	in mm	na	na	60.07	1525
			Comp't "E"	in mm	na	na	62.70	1595
	39	<b>Suspension</b>	Drive	Articulated				
		Caster	Articulated, Swivel					
42	<b>Brakes</b>	Drive	Elec Release / Mech Applied					
		Caster	None					
		Parking	Elec Release / Mech Applied					
Battery		<b>Battery Removal</b>	Both Sides					
	45	<b>Type</b>	Lead Acid					
	46	<b>Min Weight/Max Amp</b>	Comp't "C"	lb/amp kg/amp	1880 / 930	855 / 930	2000 / 930	910 / 930
			Comp't "D"	lb/amp kg/amp	na	na	2280 / 1085	1035 / 1085
			Comp't "E"	lb/amp kg/amp	na	na	2600 / 1240	1180 / 1240
		<b>Max Battery Size</b>	Comp't "C" L x W x H	in mm	38.38 x 16.25 x 31	975 x 415 x 787	38.38 x 16.25 x 31	975 x 415 x 787
			Comp't "D" L x W x H	in mm	na	na	38.69 x 18.00 x 31	983 x 455 x 787
Comp't "E" L x W x H			in mm	na	na	38.69 x 20.75 x 31	983 x 525 x 787	
				Connector Loc/Length (J)	in mm	A / 9		
		Standard Connector	SB350 Gray					

\* Contact factory. Capacity may be subject to derating at height.

\*\* Inside straddle is decreased .35" (10 mm) with Quick Change Load Wheels.

† Maximum lift speeds with the maximum available battery compartment.



# RR 5700 Series

# Specifications

Models RR 5715-35, 5715-40, 5725-35 and 5725-45				TT										
Mast	9	Lift Height (RR 5715-35 and -40, 270" Max)	in mm	198	5025	210	5330	240	6095	270	6855	300	7620	
		Free Lift*	in mm	41	1040	47	1190	59	1495	71	1800	83	2105	
	10	Guard Height	in mm	89	2260	95	2415	95	2415	95	2415	95	2415	
	17	Overall Collapsed Height	in mm	89	2265	95	2415	107	2720	119	3025	131	3330	
	18	Overall Extended Height*	in mm	246	6250	258	6555	288	7315	318	8080	348	8840	
		Minimum Straddle OD	in mm	42	1065	42	1065	42	1065	42	1065	42	1065	
Weight	Truck Weight w/o Battery			Battery Compartment										
		RR 5715-35	"B"	lb kg	5147	2340	5233	2380	5492	2495	na	na	na	na
		RR 5715-40	"C"	lb kg	5191	2360	5227	2375	5536	2515	5779	2625	na	na
		RR 5725-35	"C"	lb kg	5269	2395	5355	2435	5614	2550	5857	2660	6029	2740
			"C"	lb kg	5653	2570	5762	2620	6075	2760	6365	2895	6872	3125
		RR 5725-45	"D"	lb kg	5695	2590	5804	2640	6117	2780	6407	2910	6914	3145
		"E"	lb kg	5750	2615	5859	2665	6172	2805	6462	2935	6969	3170	

Model RR 5725-45				TT									
Mast	9	Lift Height (RR 5715-35 and -40, 270" Max)	in mm	321	8150	341	8660	366	9295	400	10160		
		Free Lift*	in mm	92	2335	101	2565	112	2845	124	3150		
	10	Guard Height	in mm	95	2415	95	2415	95	2415	95	2415		
	17	Overall Collapsed Height	in mm	140	3560	149	3785	160	4060	172	4365		
	18	Overall Extended Height*	in mm	369	9375	389	9885	414	10520	448	11380		
		Minimum Straddle OD	in mm	42	1065	49	1245	50	1270	53	1345		
Weight	Truck Weight w/o Battery			Battery Compartment									
			"C"	lb kg	7048	3205	na	na	na	na	na	na	na
		RR 5725-45	"D"	lb kg	7090	3225	7341	3335	na	na	na	na	na
			"E"	lb kg	7145	3250	7396	3360	7612	3460	7846	3565	na

\* With load backrest.

Note: Above 321" (8150 mm), 6" (150 mm) high load wheel standard.

## Capacity

Model RR 5715-35: 3500 lb (1585 kg) at 24" (600 mm) load center, 24 volt

Model RR 5715-40: 4000 lb (1810 kg) at 24" (600 mm) load center, 24 volt

Model RR 5725-35: 3500 lb (1585 kg) at 24" (600 mm) load center, 36 volt

Model RR 5725-45: 4500 lb (2000 kg) at 24" (600 mm) load center, 36 volt

## Batteries

Battery removal from left or right side of truck. Standard battery compartment rollers for extraction with mechanized equipment.

## Standard Equipment

1. Crown's Access 1 2 3<sup>®</sup> Comprehensive System Control
2. 24 or 36 volt system
3. AC Traction System
4. AC Hydraulics with electronic power steering (RR 5715 has DC Hydraulics with hydrostatic power steering)
5. OnTrac<sup>®</sup> Anti-Slip Traction Control
6. Operator Compartment
  - Variable side stance
  - Flexible five-point positioning
  - Back support with integral hip support
  - Arm/elbow support padding
  - Padded compartment interior walls
  - Operator console with work surface and storage
  - Suspended floor
  - 270 in<sup>2</sup> (1768 cm<sup>2</sup>) floor area)
  - Entry bar
  - Premium urethane floorboard cushion
  - Console light
7. Multi-task control handle
8. Crown display
  - Event code display with five (5) key navigation.
  - Hour meters / travel distance / stop watch
  - PIN Code access capable
  - Access 1 2 3 diagnostics
  - P1, P2, P3 performance tuning
  - Battery discharge indicator, steer wheel direction indicator, OnTrac Traction Control indicator
9. High visibility power unit
10. High visibility mast

11. Overhead guard
12. 48" (1220 mm) high load backrest
13. Crown-manufactured side-shifter, 2" - 4" (50 - 100 mm) each way
14. Tilting fork carriage
15. Tandem articulating load wheels
16. Lift slow down 12" (305 mm) from maximum lift height
17. Lift Limit without override
18. Crown-manufactured drive and lift motors
19. Offset articulated drive axle with 190° steer arc
20. Key switch
21. Horn
22. Emergency power disconnect
23. 350 amp battery connector
24. Large diameter battery rollers
25. Color-coded wiring
26. Third post
27. Reverse steering
28. InfoPoint<sup>®</sup> System with Quick Reference Guide
29. Static Strap

## Optional Equipment

1. Rack Height Select and Tilt Position Assist
2. Capacity monitor
3. Camera and color monitor (Not available on 5715)
4. Mast lift heights to 400" (10160 mm)
5. Lift limit with override
6. Drive-in rack cylinder package
7. Drive-in rack mast (4500 lb (2000 kg) only)
8. Drive-in rack third post
9. Chain slack kit
10. Bolt-on outrigger tips
11. Quick Change bolt-on outrigger tips
12. Mesh screen mast guard
13. Battery retainer with interlock
14. 5th battery compartment roller
15. 36" and 42" (915-1065 mm) high load backrests
16. Overhead guard mesh
17. Polished and tapered forks
18. Fork lengths
19. Work lights
20. LED flashing light
21. Keyless on/off switch

22. Fan
23. Corrosion/freezer conditioning (freezer conditioning includes a 5/8" (16 mm) thick power unit skirt with extended coverage of the drive and caster tires)
24. ThermoAssist<sup>™</sup> freezer comfort package ("C", "D" or "E" battery compartment)
25. Load wheel sizes and compounds
26. UL EE Rating
27. Forward Steering
28. Work Assist<sup>®</sup> Accessories:
  - Accessory tube
  - Accessory RF mounting plate
  - Accessory RF mounting bracket
  - Accessory clamp
  - Accessory clip pad
  - Accessory hook
  - Accessory clip pad and hook
  - Accessory pocket
29. InfoLink<sup>®</sup> Ready System
30. InfoLink for Windows<sup>®</sup> Ready System

## Operator Compartment

Soft, rounded surfaces make compartment interior more comfortable. Streamlined exterior smooths entry/exit for the operator. A low floor height, (9.4" (240 mm)), first greets the operator. A 270 in<sup>2</sup> (1768 cm<sup>2</sup>) floor and patented suspended floorboard provide comfortable footing.

The brake pedal design allows variable side-stance positions for the operator. The operator can change positions to increase comfort and productivity.

Five-point positioning provides control and stability, starting with the right hand on the multi-task controller and the left hand on the steer tiller. Left foot on the brake pedal and the right foot on the presence sensor. The operator's back is naturally fitted against the wrap-around support cushion.

An entry bar with sensors to automatically slow truck travel, encourages safe foot positioning inside the truck.

The multi-task control enables the operator to maneuver the truck while blending lift and accessory functions for improved productivity. Control handle activation forces are reduced. The soft grip steer tiller with hydrostatic steering or optional electronic power steering reduces operator fatigue.

Operator visibility is improved with:

- Low profile power unit
- High visibility mast
- Angled mast cross bracing
- Angled overhead guard cross bars
- Variable side stance

Superior thermal management is the result of several design features: reduced heat generating components, positioning of heat generating components away from the compartment, padding to insulate the compartment from heat, and improved air paths through the truck.

Clipboard surface and console storage pockets are standard.

## Crown's Access 1 2 3<sup>®</sup> Comprehensive System Control

Control provides optimum performance and control by offering a communication interface for operators and technicians, intelligent coordination of lift truck systems and simplified service with advanced diagnostics.

The Crown display is used for easy trouble shooting, accessing service history and setting performance features. A distribution panel is conveniently located with all test points, control fuses and central wiring for easy troubleshooting.

Three modes of performance can be selected to accommodate operator experience or application requirements.

## OnTrac<sup>®</sup> Anti-Slip Traction Control

Crown's Access 1 2 3 technology monitors truck dynamics, optimizes traction, reduces spinning during acceleration, prevents lock-up during braking, and greatly extends tire life.

## Travel

Crown's AC traction system is a closed loop traction control system that maintains top speed throughout the battery charge. Engineered and manufactured by Crown, the AC motor, controller and drive unit are designed specifically for lift truck applications.

On an inclined surface or when interfacing with push-back racking, the "truck hold" feature electronically brakes the truck when the handle is in neutral. The operator does not have to release the brake pedal, improving comfort and control in these applications. Selected travel speed remains constant regardless of surfaces, load weight or grades. Less throttling of control handle means better truck control and less fatigue to the operator.

**Steering**

The electronic power steering uses an AC steer motor and steering control module integrated with the Access 1 2 3® System to provide fast, reliable steering response. (RR 5715 has the load sense hydrostatic steering that is an on-demand system which reduces energy consumption.)

Smooth, quiet steering control with minimal operator effort required at the steer tiller. Drive tire rotates 190° for maximum maneuverability.

**Braking**

A disc brake on the motor armature shaft combined with motor regenerative braking provides sure braking with fewer parts and maintenance requirements. The offset, articulated drive-unit design improves drive tire brake force.

Regenerative motor braking helps save energy, and decreases motor temperature.

**Suspension**

The offset, articulated drive-unit design provides positive floor contact.

**Load Handling**

The optional load handling assist package provides rack height select and tilt position assist features.

The Rack Height Select feature allows the truck to be programmed to stop at preselected heights. With one-touch of the multi-task trigger while lifting or lowering, the mast will stop at the next programmed height.

Another useful option is the Tilt Position Assist. This allows the fork tilt to stop at a preprogrammed position for maximum fork clearance when entering pallets.

Also optional, the Capacity Monitor shows the approximate weight on the forks and the fork height. It will alert the operator when the truck capacity is exceeded for the fork height. It will also show how high or to which lift zone you can raise the load.

**Mast**

High visibility mast design with angled cross bracing and angled overhead guard braces improve visibility for high or low stacking. Crown's patented staging cushions coupled with lowering dampers and speed reductions at maximum lift improve overall load handling control.

Rolled steel outer channel masts and inner "I" beams roll on canted, steel, anti-friction roller bearings for minimal current draw and long life. Telescoping mast sections nest to reduce truck length. Heavier mast cross bracing design increases stiffness. Above 270" (6860 mm) lift, vertical mast reinforcement maintains maximum capacity.

**Carriage**

A hook-type carriage conforming to ITA specifications is used. Load backrest is standard.

**Warning Device Options**

Audible or Visual Alerts

Safety considerations and dangers associated with audible travel alarms and lights include:

- Multiple alarms and/or lights can cause confusion.
- Workers ignore the alarms and/or lights after day-in and day-out exposure.
- Operator may transfer the responsibility for "looking out" to the pedestrians.
- Annoys operators and pedestrians.

**Other Options Available**

Contact factory for additional options.

*Dimensions and performance data given may vary due to manufacturing tolerances. Performance is based on an average size vehicle and is affected by weight, condition of truck, how it is equipped and the conditions of the operating area. Crown products and specifications are subject to change without notice.*



**You can count on Crown to build lift trucks designed for safe operation, but that's only part of the safety equation. Crown encourages safe operating practices through ongoing operator training, safety-focused supervision, maintenance and a safe working environment. Go to [crown.com](http://crown.com) and view our safety section to learn more.**

**Crown Equipment Corporation**  
New Bremen, Ohio 45869 USA  
**Tel** 419-629-2311  
**Fax** 419-629-3796  
[crown.com](http://crown.com)

Because Crown is continually improving its products, specifications are subject to change without notice.

Crown, the Crown logo, the color beige, the Momentum mark, Access 1 2 3, InfoPoint, InfoLink, ThermoAssist, OnTrac and Work Assist are trademarks of Crown Equipment Corporation. Other trademarks are property of their owners.

Copyright 2009-2017 Crown Equipment Corporation  
SF18299 Rev. 05-17  
Printed in U.S.A.