

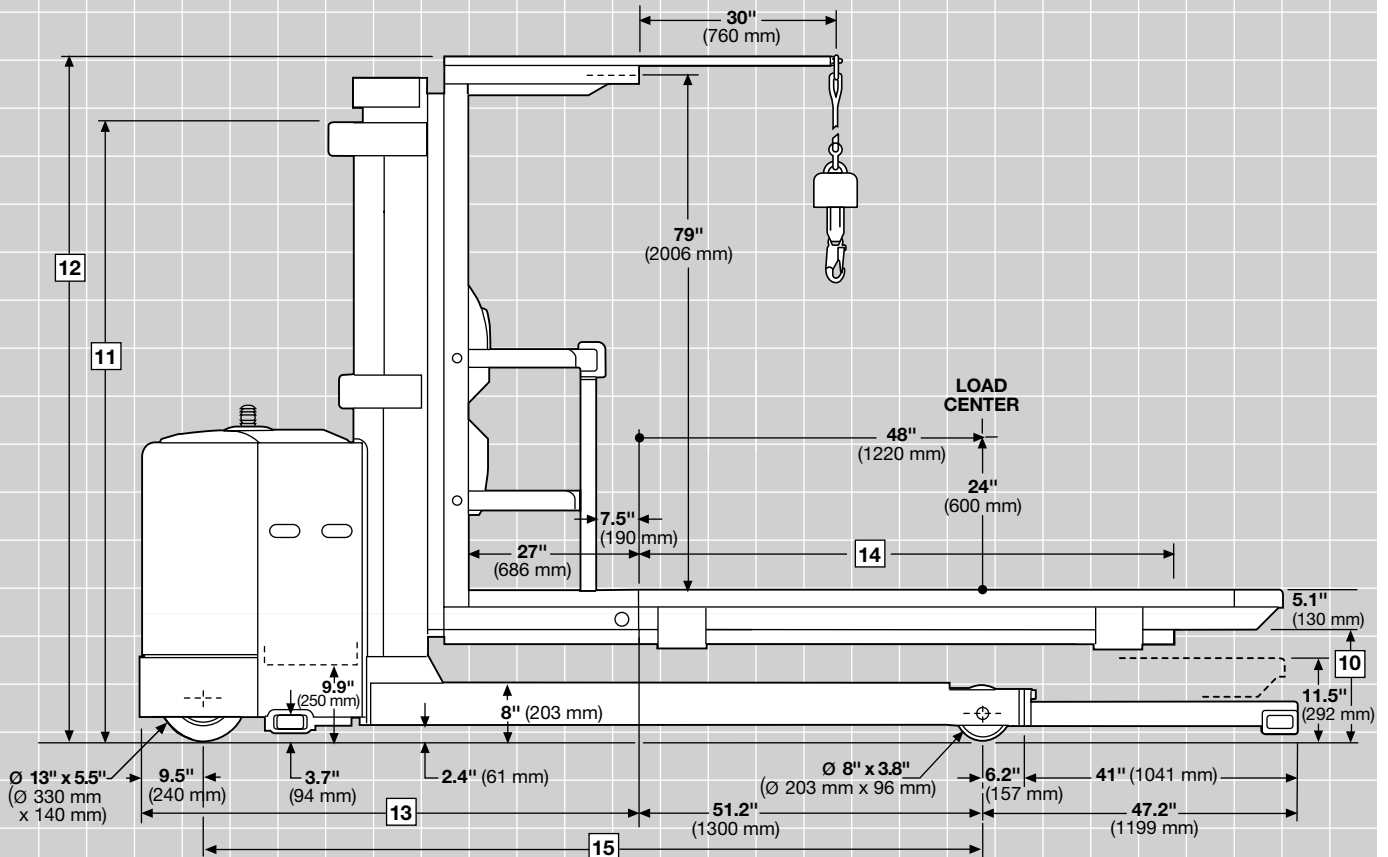
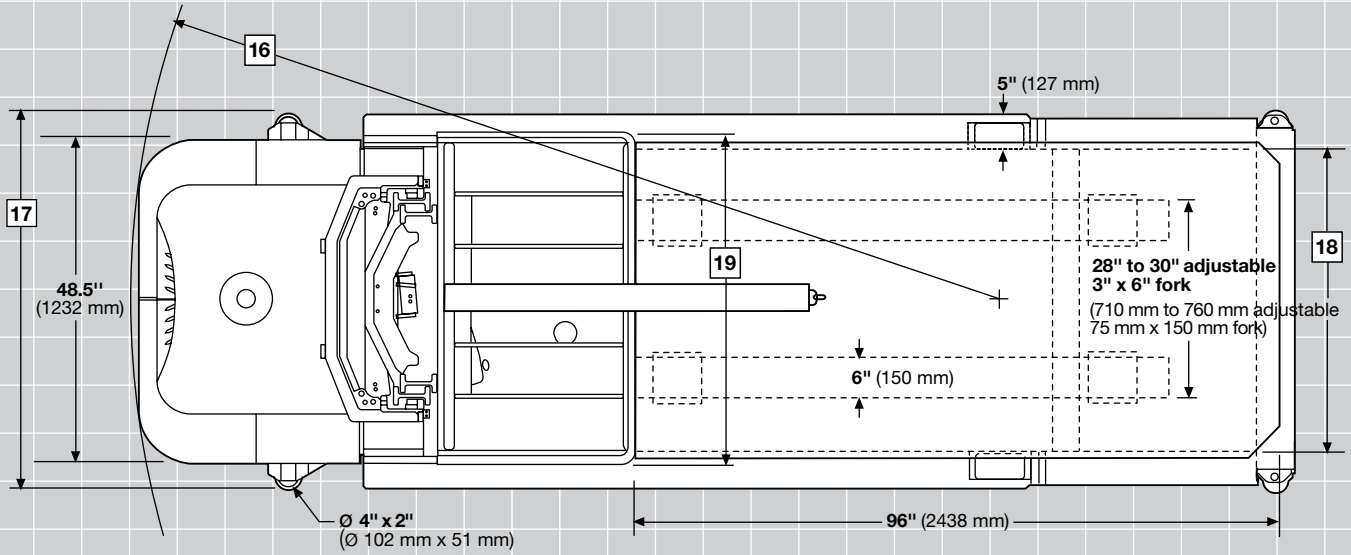
CROWN

SP 3500 SERIES

Specifications

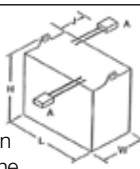
Four-Point Stockpicker
SP 3580F Model





SP 3580F Model

Specifications

			Imperial				Metric									
General Information	1	Manufacturer	Crown Equipment Corporation													
	2	Model	SP 3580F													
	3	Load Capacity*	48" (1200 mm) Load Center to 330" (8380 mm)	lb	kg	1500				680						
	4	Load Center	Platform face to load CG	in	mm	48				1220						
	5	Power	Electric	24 Volts												
	6	Operator Type	Stand-up Rider	Stockpicker												
	7	Tire Type	Load / Drive / Caster	Poly / Poly / Poly												
	8	Wheels	Load / Drive / Caster	2 / 1 / 1												
Dimensions	9	Mast Type	Triple-telescopic													
	10	Lift Height	(LH)	in	mm	210	5335	240	6095	276	7010	294	7470			
						312	7925	330	8380	348**	8840**	366**	9295**			
		Free Lift	With LBR	in	mm	8	205	20	510	32	815	38	965			
						44	1120	56	1425	62	1575	68	1730			
	11	Collapsed Height		in	mm	95	2415	107	2720	119	3025	125	3175			
						131	3330	143	3630	149	3785	155	3935			
	12	Extended Height	(EH)	in	mm	298	7570	328	8330	364	9250	382	9705			
						400	10160	418	10620	436	11075	454	11535			
		Truck Weight	Without Battery	lb	kg	7073	3210	7228	3280	7665	3475	7786	3530			
						7879	3575	8008	3630	8102	3675	8195	3720			
	13	Head Length		in	mm	75.6				1920						
	14	Forks - Standard	Platform L x W x T	in	mm	84 x 6 x 3 Box Section				2135 x 150 x 75 Box Section						
			Cart Handling L x W x T	in	mm	72 x 4 x 2				1825 x 100 x 50						
	15	Wheelbase		in	mm	117.3				2980						
	16	Turning Radius		in	mm	127.6				3241						
	17	Aisle Guide Wheel Range		in	mm	49.5" to 77.5" (11.5" to 15.5" Greater than inside straddle in .25" increments)				1260 to 1970 (292 to 394 Greater than inside straddle in 6 mm increments)						
18						Straddle Width	Inside Straddle	in	mm	38 to 63 in 1" increments				970 to 1600 in 25 mm increments		
		Outside Straddle	in	mm	Add 10"				Add 254							
19	Operator Compartment Width		in	mm	48 Standard; 42, 54, 60 and 64 Optional				1220 Standard; 1070, 1370, 1525 and 1625 Optional							
Performance	20	Speed Travel	Empty / Loaded	mph	km/h	See Chart				See Chart						
	21	Speed Lift	Empty / Loaded	fpm	m/s	40/30 Low, 71/53 High				.203/.152 Low, .360/.269 High						
	22	Speed Lower	Empty / Loaded	fpm	m/s	40/38 Low, 80/76 High				.203/.193 Low, .406/.386 High						
	23	Battery		Type	Lead Acid				Lead Acid							
				Min Weight	lb	kg	1520				690					
				Max Amp	amp								1085			
				Max Size L X W X H	in	mm	36.25 x 14.25 x 31				920 x 360 x 790					
				Connector Location/Length (J)	in	mm	A/20				A/500					
		Standard Connector	SB350 Red				SB350 Red									
24	Traction Motor	60 Min Rating	hp	kw	5.2				3.9							

* Contact factory. Capacity depends on maximum lift height, straddle width, load center and fork length.

**Minimum straddle ID = 42"

Lift Height		Steered Wheel < 10° (1)	
		Guided (2)	
		Power Unit First (PUF) (3)	
		Travel Speed Empty / Loaded	
		Linear SP 3580F	
<i>inches</i>	<i>mm</i>	<i>mph</i>	<i>km/h</i>
0 - 24	0 - 610	7.0 (4)	11.2
25 - 152	635 - 3860	7.0 - 4.0 (4)	11.2 - 6.5
153 - 200	3886 - 5080	4.0 - 3.0	6.5 - 4.8
201 - 304	5105 - 7722	3.0 - 1.5	4.8 - 2.4
305 - 366	7747 - 9295	1.5	2.4

(1) Top travel speed is reduced to 80% at a 10° steering angle, beyond 10° travel speeds gradually reduce down to 50% of top travel speed. Steering angle is automatically limited to within 10° straight travel when lift is above 200" (5080 mm).

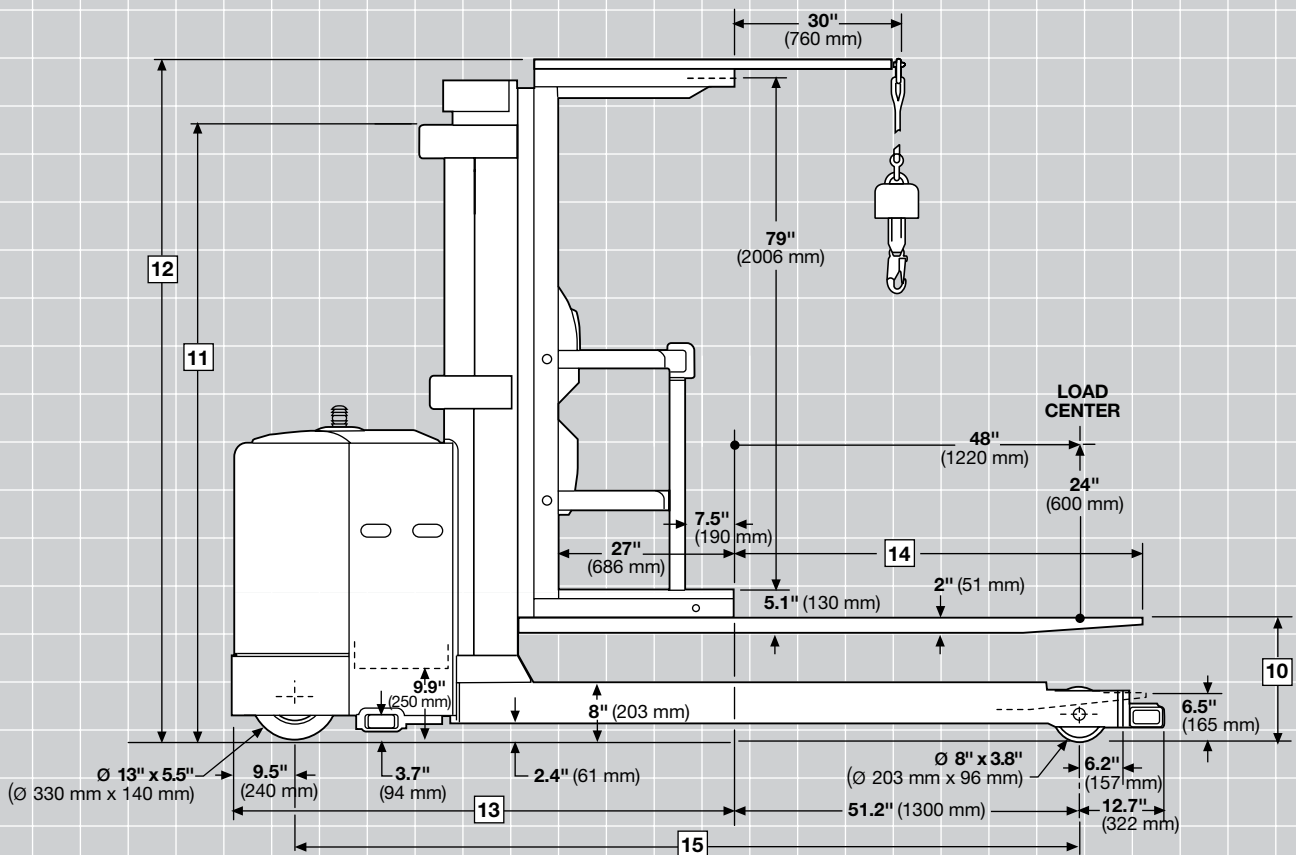
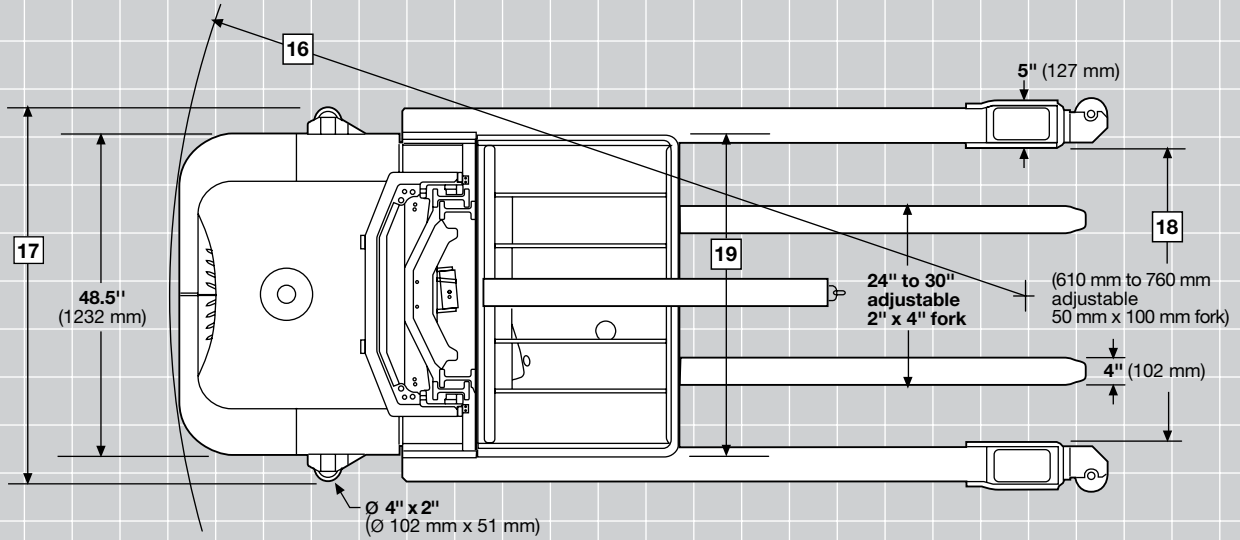
(2) Non-guided travel speeds between 24" (610 mm) and 304" (7722 mm) are reduced.

(3) Guided travel speeds in the Forks First (FF) direction are less than Power Unit First (PUF) up to 152" (3860 mm).

(4) Wire guided travel speeds are reduced.

SP 3580F Model

**Cart Handling
Stockpickers**



Standard Equipment

1. Crown's Access 1 2 3® Comprehensive System Control
2. Crown's AC traction control system
3. 24-volt electrical system
4. Electronic steering
5. Linear Height Speed Control
6. Two-speed raise/lower with soft start and stop
7. Programmable lift/lower cut outs
8. Intelligent Braking System with low-profile brake pedal
9. Lift motor brush wear and overtemp indicator
10. Crown Display
 - Battery discharge indicator with lift interrupt
 - Hour meters/travel distance/stop watch
 - PIN code access capable
 - Access 1 2 3 diagnostics
 - P1, P2, P3 Performance
 - Standard steer tire direction indicator (non wire-guided trucks)
 - Enhanced steer tire direction indicator (wire-guided trucks)
11. Soft urethane twist grip with "cam grip"
12. 10° angled steer wheel with soft feel spinner
13. Storage compartment
14. Premium platform cushion
15. Clear visibility platform window
16. Wire mesh screen
17. Clear visibility mast design
18. Key switch
19. Horn
20. LED flashing light
21. Hinged side gates with power disconnect
22. 14.25" (362 mm) battery compartment
23. 350 amp battery connector
24. 2" (51 mm) diameter battery compartment rollers
25. Top battery access for service
26. Removable steel battery side covers
27. Adjustable battery retainer
28. Hinged, lift off steel power unit doors

29. Corrosion conditioning
30. Emergency power cut-out
31. Retractable tether and body harness
32. Pallet clamp
33. InfoPoint® Quick Reference Guide and Maps
34. Color-coded wiring
35. 8" (203 mm) diameter load wheels

Optional Equipment

1. Crown wire guidance (broadband technology) operates on all frequencies ranging from 5.2 through 10 kHz without changing components. *Not available with SP 3580F Cart Handling Model.*
2. End of Aisle Control System (wire or rail guidance required)
3. Aisle guide wheels for rail guidance
4. Battery retainer interlock switch
5. V-Force® Lithium Ion Ready
6. Additional Operator Fan
7. LED Work lights, LED dome light, and two-speed fan
8. Spotlights- LED or Halogen
9. Floor Spotlight - Blue
10. Programmable lift/lower cutouts with over-rides
11. Zone select key switch
12. 48", 54", 60" and 64" (1220 mm, 1370 mm, 1525 mm, and 1625 mm) wide operator platforms
13. Freezer conditioning (Includes corrosion conditioning, ribbed floor mat, and wire mesh windshield)
14. Glass windshield
15. Load wheel and drive tire compounds
16. 30" (762 mm) lanyard boom
17. InfoLink® Ready
18. Positive / negative accessory cable
19. Special paint
20. Work Assist® Accessories
 - Storage Bin
 - Clip pad and hook
 - Plate
 - Pocket
21. Fire extinguisher

Operator Platform

The operator area is designed for maximum visibility and stability for increased operator confidence and comfort.

The operator platform features a large window (1088 sq in) (701934 mm²) for excellent visibility. A Crown-designed clear-visibility mast affords the platform window one forward and two peripheral windows for maximum visibility, even when the platform is lowered.

The clear-visibility mast, with full free lift, extends the platform window above the mast channels for unobstructed visibility when raised.

A low-profile power unit, low placement of the lower cross brace and an outer C-channel rail assembly also contribute to excellent visibility.

A soft urethane twist grip is solidly mounted to the truck console to provide excellent stability for the operator during travel, plugging and braking. Controls for lift/lower, horn and emergency disconnect are conveniently located for efficient operation and minimal operator fatigue. The steering wheel is angled at 10° and recessed to maximize the work area and reduce steer effort. The steering wheel and spinner knob are covered with soft urethane to reduce grip force and insulate against vibration. Control location keeps the operator's posture neutral at all times.

The platform cushion, made of a microcellular composition, absorbs shock and vibration. The brake pedal has a low-profile design and when engaged is flush with the platform cushion for maximum comfort. Heavy-duty side gates, with two horizontal and one vertical support rails, communicate security to the operator. For additional safety, cut-out switches disengage truck operation when side gates are raised.

Two work lights, two dome lights and a two-speed fan are optional. "Power-on" key prevents unauthorized operation of the truck. The Access 1 2 3 Display Panel provides concise, clear feedback for the operator during truck operation.

Crown's Access 1 2 3...

The Comprehensive Access 1 2 3 System Control is a modular based communications and control system. It monitors all on-board sensors, makes decisions based on the sensor readings, and subsequently, controls all system movements safely and smoothly. All five modules are in constant communications with each other via a CAN (Control Area Network) bus so that real information is accessible to the system at all times.

- Interactive Display Module
- Traction Control Module
- Vehicle Control Module
- Steering Control Module
- Guidance Control Module

Crown Drive System

Crown has applied the latest generation AC drive system, enhanced with Access 1 2 3 technology. A Crown-manufactured drive unit uses spiral bevel and helical gears from motor to drive wheel axle.

Fixed, mounted drive motor does not rotate minimizing wear on electrical cables. Drive tire changing is simplified with this drive unit.

Crown's AC Drive system dramatically improves travel speeds, acceleration and deceleration, thus increasing productivity.

The standard linear speed control provides smooth travel speed transition as lift heights change and increases productivity.

Travel System

Truck performance specifications (maximum travel speed, coast, plugging, acceleration, travel speed at height, and low speed lowering) are adjustable using Access 1 2 3. This enables customizing truck performance to meet specific application or operator requirements.

Crown's InfoPoint® system offers evolutionary refinement for service simplicity. The InfoPoint Quick Reference Guide, on-truck component maps and information nuggets located throughout the truck allow technicians to troubleshoot without schematics, wiring diagrams, or service manuals for more than 95 percent of repairs.

The InfoPoint Quick Reference Guide provides code definition and overall component ID so the technician knows what it is, where it is, and what it does (Three W's). InfoPoint ensures faster, simpler, and higher quality service.

Intelligent Steering

Standard on the SP 3500 Series is electronic steering that is microprocessor based.

Crown's intelligent steering feature slows the truck automatically when the steer wheel is turned beyond 10°. Access 1 2 3 monitors the height of the operator platform, truck speed and steer wheel position.

Steering wheel rotation provides smooth, operator feedback. Steer effort is minimal, lock to lock revolutions is 4.5 turns. Drive wheel rotates a full 180° for maximum maneuverability. Auto centering drive tire for trucks equipped with rail guidance. Steering is connected to the Control System for full diagnostics and operator interface.

Intelligent Braking System

Crown's patented Intelligent Braking System combines motor braking with optimum amounts of friction braking (three varying levels of force). The appropriate level of braking is applied dependent upon platform height, direction of travel, and truck weight. Braking force is automatically reduced as height increases and speed decreases. Optimum braking for the right elevation gives operators more confidence and better control, while eliminating abrupt stops and reducing platform sway. Brake lining life can be expected to last up to twice as long before replacement is necessary.

Braking can also be accomplished by proportional plugging, which permits the operator to control the rate of deceleration when extended stopping distance is preferred.

Simplified Hydraulics

Heavy-duty series wound pump motors and gear pumps are assembled into an integral unit. Two speed lift (high/low) is standard. Crown-manufactured solenoid type manifolds with built-in checks and relief valves.

Two-speed lowering (high/low) with soft start is standard. Low speed lowering is adjustable with the use of the Access 1 2 3 Display. Soft-start lowering feature reduces the harshness at the beginning and end of the lowering cycle. The softer start is accomplished by controlling how quickly the proportional valve is opened or closed. Valve actuation is controlled by a driver in the steering control module.

Maximum lowering speed is regulated by a pressure compensating flow control valve. Velocity fuses are used in all cylinders to stop lowering should lowering speed exceed a preset value due to a line rupture. A hydraulic accumulator is used to cushion raise and lower functions. Manual lowering control on manifold block allows lowering of platform from ground level. Oil reservoir is designed with a 100 mesh screen at the fill location, a suction strainer, spin-on type 10 micron return line filter and a magnetic drain plug.

Four-wheel Configuration

A drive tire, caster wheel, and two load wheels provide a four-point foot print. Caster is adjustable to compensate for tire wear.

The Crown Mast Assembly

High visibility three-stage masts feature nested rail design with lift cylinders positioned behind mast rails. A low center position cylinder for free lift along with proper routing of hosing and cables, optimizes visibility through the mast. Built-in sensors detect chain slack and shut down primary lower function. Exclusive spring-loaded staging bumpers virtually eliminate platform impact as platform stages. Negative rail drop allows shimming of mast rollers without major disassembly.

Stronger Low Profile Power Unit

Power unit is fabricated from heavy-gauge steel. Lower skirt is 0.75" (19 mm) steel that runs 9" (228 mm) high for component protection. Rugged steel doors suspended on heavy-duty pin hinges cover power unit compartment. Doors swing wide for open access. Doors can also be lifted off for unrestricted service access. Door bolts have exclusive convex design that mates with concave door holes for fast reinstallation of door bolts. Battery side covers are all steel. An optional battery retainer interlock switch is available. Top battery access is available by lifting cover. Cover has integral support post.

Wheels and Tires

Polyurethane drive tire, 13" (330 mm) diameter x 5.5" (140 mm) wide x 9.5" (241 mm) hub diameter. 8" (203 mm) diameter polyurethane x 3.8" (96 mm) wide load wheels. Optional polyurethane aisle guide wheels are 2" (51 mm) wide with a 4" (102 mm) or 2.5" (63.5 mm) diameter. Casters have dual 3" (76 mm) wide x 10" (254 mm) diameter polyurethane load wheels.

Forks

A 2" (51 mm) thick x 4" (102 mm) wide x 72" (1825 mm) long forged steel is standard for Cart Handling and optional on Platform trucks. Fork Spread is 24" (610 mm) to 30" (762 mm) .

A 3" (76 mm) thick x 6" (152 mm) wide x 84" (2134 mm) long box section is standard on Platform trucks and optional on Cart Handling trucks. Optional lengths available. Fork spread (adjustable) 28" (711 mm) to 30"(762 mm) .

Pallet Clamp

Standard equipment includes a foot-applied, hand-released pallet clamp designed for use with pallets having center stringers.

Warning Device Options

Audible or Visual Alerts

Safety considerations and dangers associated with audible travel alarms and lights include:

- Multiple alarms and/or lights can cause confusion.
- Workers ignore the alarms and/or lights after day-in and day-out exposure.
- Operator may transfer the responsibility for "looking out" to the pedestrians.
- Annoys operators and pedestrians.

Other Options Available

Contact factory for additional options.

Dimensions and performance data given may vary due to manufacturing tolerances. Performance is based on an average size vehicle and is affected by weight, condition of truck, how it is equipped and the conditions of the operating area. Crown products and specifications are subject to change without notice.



Crown Equipment Corporation

New Bremen, Ohio 45869 USA

Tel 419-629-2311

Fax 419-629-3796

crown.com

You can count on Crown to build lift trucks designed for safe operation, but that's only part of the safety equation. Crown encourages safe operating practices through ongoing operator training, safety-focused supervision, maintenance and a safe working environment. Go to crown.com and view our safety section to learn more.

Because Crown is continually improving its products, specifications are subject to change without notice.

Crown, the Crown logo, the color beige, the Momentum symbol, Access 1 2 3, V-Force, InfoLink, InfoLink for Windows, InfoPoint and Work Assist are trademarks of Crown Equipment Corporation in the United States and other countries

Copyright 2010-2019 Crown Equipment Corporation SF18418 Rev. 12-19 Printed in U.S.A.