

CROWN

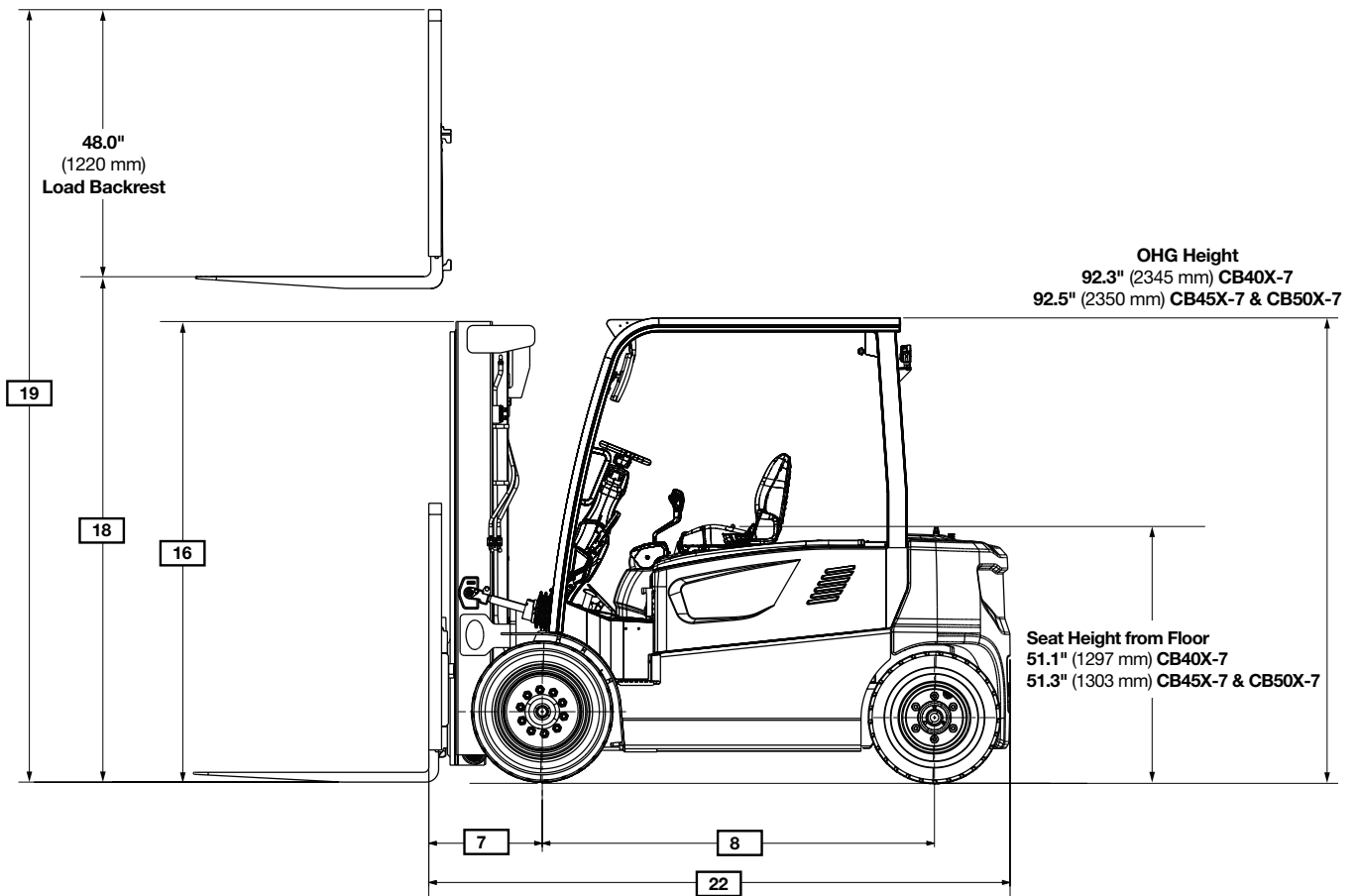
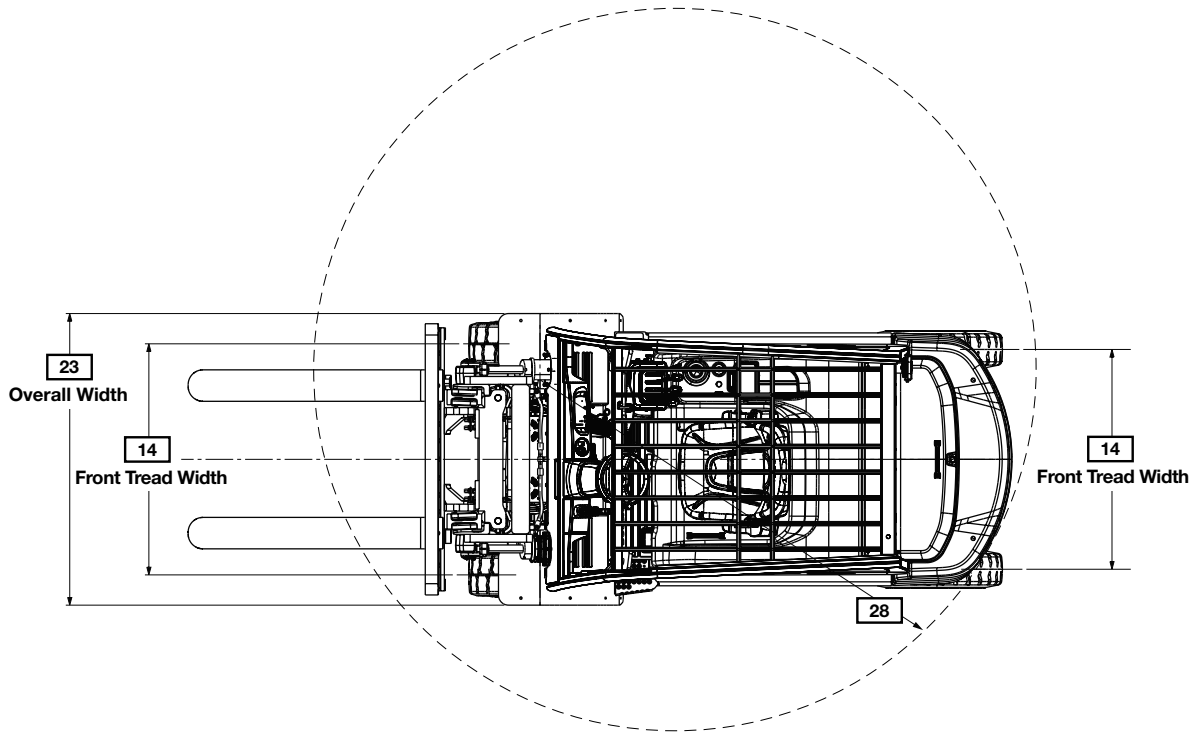
C-B

8,000-10,000 lb Capacity

Electric Pneumatic Tire

Specifications





C-B Series

Specifications

| | | | Imperial | Metric | Imperial | Metric | | |
|---------------------|----------------------------|---|-------------------------------------|--------------------------------|-------------------|-------------------|------------------|-------------------|
| General Information | 2 | Model | | | CB40X-7 | CB45X-7 | | |
| | 3 | Power (Fuel) Type | Electric, Diesel, Gas, LPG | | | | | |
| | 4 | Operator Type | Sit-down Rider | | | | | |
| | 5 | Load Capacity | lb kg | 8,000 | 4000 | 9,000 | 4500 | |
| | 6 | Load Center | Per ANSI B56.1 | in mm | 24 | 600 | 24 | 600 |
| | 7 | Load Distance | | in mm | 22.5 | 572 | 22.5 | 572 |
| | 8 | Wheelbase | | in mm | 78.7 | 2000 | 78.7 | 2000 |
| | Weights | 9 | Truck Weight | Less Battery | lb kg | 10,697 | 4852 | 11,612 |
| 9.1 | | Axle Load, Loaded | Front / Rear | lb kg | 21,768 / 2,509 | 9874 / 1138 | 23,384 / 2,910 | 10607 / 1320 |
| 9.2 | | Axle Load, Empty | Front / Rear | lb kg | 8,223 / 7,236 | 3730 / 3282 | 8,146 / 8,228 | 3695 / 3732 |
| Tires | 10 | Tire Type | Cushion, Solid Pneumatic, Pneumatic | | | | | |
| | 11 | Tire Size, Front | | in mm | 250-15 | | 28 x 12.5-15 | |
| | 12 | Tire Size, Rear | | in mm | 7.00-12 | | 7.00-12 | |
| | 13 | Wheels | Number (x = driven) Front / Rear | 2x / 2 | | | | |
| | 14 | Tread Width | Front / Rear | in mm | 46.0 / 43.7 | 1168 / 1111 | 45.7 / 43.7 | 1160 / 1111 |
| Dimensions | 15 | Mast | Tilt | deg | See Mast Charts | | | |
| | 16 | | Collapsed Height | in mm | | | | |
| | 17 | | Free Lift | in mm | | | | |
| | 18 | | Lift Height | in mm | | | | |
| | 19 | | Extended Height | in mm | | | | |
| | 20 | Overhead Guard Height | | in mm | 92.3 | 2345 | 92.5 | 2350 |
| | 21 | Seat Height | From floor to SIP | in mm | 51.1 | 1297 | 51.3 | 1303 |
| | 22 | Headlength | | in mm | 116.4 | 2957 | 116.4 | 2957 |
| | 23 | Overall Width | | in mm | 57.9 | 1470 | 57.9 | 1470 |
| | 24 | Forks | Standard L x W x T | in mm | 41.3 x 5.9 x 2.0 | 1050 x 150 x 50 | 41.3 x 5.9 x 2.0 | 1050 x 150 x 50 |
| | 25 | Fork Carriage | | in mm | ITA Class III | | | |
| | 26 | Ground Clearance | Loaded Below Mast | in mm | 4.7 | 120 | 5.1 | 130 |
| 26.1 | Center of Wheelbase | | in mm | 6.3 | 160 | 6.3 | 160 | |
| 27 | Working Aisle Width | Minimum non-intrusive right angle stack | in mm | Calculate using RAS Calculator | | | | |
| 28 | Turning Radius | | in mm | 103.2 | 2620 | 103.2 | 2620 | |
| Performance | 29 | Travel Speed, Forks First | Loaded / Empty | mph km/h | 9.3 / 9.9 | 15.0 / 16.0 | 9.3 / 9.9 | 15.0 / 16.0 |
| | 30 | Travel Speed, Power Unit First | Loaded / Empty | mph km/h | 9.3 / 9.9 | 15.0 / 16.0 | 9.3 / 9.9 | 15.0 / 16.0 |
| | 31 | Lift Speed | Loaded / Empty | fpm m/s | 68.9 / 92.5 | 0.35 / 0.47 | 65.0 / 92.5 | 0.33 / 0.47 |
| | 32 | Lowering Speed | Loaded / Empty | fpm m/s | 94.5 / 88.6 | 0.48 / 0.45 | 94.5 / 88.6 | 0.48 / 0.45 |
| | 33 | Drawbar Pull | Loaded / Empty (5 min. rating) | lbf B | 4,186 / 4,186 | 18620 / 18620 | 4,186 / 4,186 | 18620 / 18620 |
| | 34 | Gradeability | Loaded / Empty (5 min. rating) | % | 17 / 27 | | 16 / 26 | |
| | 35 | Brake | Service / Park | Foot - Hyd / Hand - Mechanical | | | | |
| Motors / Batteries | 36 | Traction Motor | 60 min. rating | hp KW | 13.0 2x | 10.0 2x | 13.0 2x | 10.0 2x |
| | 37 | Lift Motor | 15% ON time | hp KW | 38.0 | 28.0 | 38.0 | 28.0 |
| | 38 | Battery Compartment Size | L x W x H | in mm | 39.6 x 40.9 x 33 | 1007 x 1040 x 840 | 39.6 x 40.9 x 33 | 1007 x 1040 x 840 |
| | 38.1 | Max. Battery Size | L x W x H | in mm | See Battery Chart | | | |
| | 39 | Battery Voltage / Max Ah / Max kWh | @ 6 hour Rate | V / Ah / kWh | 80 / 930 / 74.4 | | | |
| 40 | Battery Weight | Min. | lb kg | 4,762 | 2160 | 4,762 | 2160 | |
| Misc. | 41 | Max. Op. Pressure for Attachments | | psi Bar | 2,248 | 155 | 2,248 | 155 |

C-B Series

Specifications

| | | | Imperial | Metric |
|---------------------|----------------------------|---|--------------------------------------|------------------------------------|
| General Information | 2 | Model | CB50X-7 | |
| | 3 | Power (Fuel) Type | Electric, Diesel, Gas, LPG | |
| | 4 | Operator Type | Sit-down Rider | |
| | 5 | Load Capacity | lb kg | 10,000 5000 |
| | 6 | Load Center | Per ANSI B56.1 in mm | 24 600 |
| | 7 | Load Distance | in mm | 22.5 572 |
| | 8 | Wheelbase | in mm | 78.7 2000 |
| | Weights | 9 | Truck Weight | Less Battery lb kg |
| 9.1 | | Axle Load, Loaded | Front / Rear lb kg | 25,243 / 2,893 11450 / 1312 |
| 9.2 | | Axle Load, Empty | Front / Rear lb kg | 8,311 / 8,801 3770 / 3992 |
| Tires | 10 | Tire Type | Cushion, Solid Pneumatic, Pneumatic | |
| | 11 | Tire Size, Front | in mm | 28 x 12.5-15 |
| | 12 | Tire Size, Rear | in mm | 7.00-12 |
| | 13 | Wheels | Number (x = driven) Front / Rear | 2x / 2 |
| | 14 | Tread Width | Front / Rear in mm | 36.9 / 36.0 937 / 914 |
| Dimensions | 15 | Mast | Tilt deg | See Mast Charts |
| | 16 | | Collapsed Height in mm | |
| | 17 | | Free Lift in mm | |
| | 18 | | Lift Height in mm | |
| | 19 | | Extended Height in mm | |
| | 20 | Overhead Guard Height | in mm | 92.5 2350 |
| | 21 | Seat Height | From floor to SIP in mm | 51.3 1303 |
| | 22 | Headlength | in mm | 117.6 2987 |
| | 23 | Overall Width | in mm | 57.9 1470 |
| | 24 | Forks | Standard L x W x T in mm | 41.3 x 5.9 x 2.0 1050 x 150 x 50 |
| | 25 | Fork Carriage | in mm | ITA Class III |
| | 26 | Ground Clearance | Loaded Below Mast in mm | 5.1 130 |
| | 26.1 | | Center of Wheelbase in mm | 6.3 160 |
| 27 | Working Aisle Width | Minimum non-intrusive right angle stack in mm | Calculate using RAS Calculator | |
| 28 | Turning Radius | in mm | 104.1 2645 | |
| Performance | 29 | Travel Speed, Forks First | Loaded / Empty mph km/h | 9.3 / 9.9 15.0 / 16.0 |
| | 30 | Travel Speed, Power Unit First | Loaded / Empty mph km/h | 9.3 / 9.9 15.0 / 16.0 |
| | 31 | Lift Speed | Loaded / Empty fpm m/s | 61.0 / 92.5 0.31 / 0.47 |
| | 32 | Lowering Speed | Loaded / Empty fpm m/s | 94.5 / 88.6 0.48 / 0.45 |
| | 33 | Drawbar Pull | Loaded / Empty (5 min. rating) lbf B | 4,186 / 4,186 18620 / 18620 |
| | 34 | Gradeability | Loaded / Empty (5 min. rating) % | 15 / 25 |
| | 35 | Brake | Service / Park | Foot - Hyd / Hand - Mechanical |
| Motors / Batteries | 36 | Traction Motor | 60 min. rating hp KW | 13.0 2x 10.0 2x |
| | 37 | Lift Motor | 15% ON time hp KW | 38.0 28.0 |
| | 38 | Battery Compartment Size | L x W x H in mm | 39.6 x 40.9 x 33 1007 x 1040 x 840 |
| | 38.1 | Max. Battery Size | L x W x H in mm | See Battery Chart |
| | 39 | Battery Voltage / Max Ah / Max kWh | @ 6 hour Rate V / Ah / kWh | 80 / 930 / 74.4 |
| 40 | Battery Weight | Min. lb kg | 4,762 2160 | |
| Misc. | 41 | Max. Op. Pressure for Attachments | psi Bar | 2,248 155 |

C-B Series

Specifications

Mast Chart CB40X-7

| Mast Type | Maximum Fork Height | | Maximum Lowered Height | | Fully Extended Height With Load Backrest | | Free Lift With Load Backrest | | Rated Load Capacities | | | |
|-----------|---------------------|------|------------------------|------|--|------|------------------------------|------|-----------------------|-----|-----------------|----------|
| | | | | | | | | | Tilt Angle | | Load Capacities | |
| | | | | | | | | | FWD | BWD | 24in LC | 600mm LC |
| | in | mm | in | mm | in | mm | in | mm | deg | deg | lb | kg |
| TL | 118 | 3000 | 86 | 2190 | 168 | 4265 | 6 | 160 | 6 | 9 | 8,000 | 3625 |
| | 130 | 3300 | 92 | 2340 | 180 | 4565 | 6 | 160 | 6 | 9 | 8,000 | 3625 |
| | 144 | 3650 | 99 | 2515 | 194 | 4915 | 6 | 160 | 6 | 9 | 8,000 | 3625 |
| | 157 | 4000 | 111 | 2840 | 207 | 5265 | 6 | 160 | 6 | 9 | 8,000 | 3625 |
| | 167 | 4250 | 116 | 2946 | 217 | 5515 | 6 | 160 | 6 | 9 | 7,950 | 3606 |
| | 191 | 4850 | 134 | 3415 | 241 | 6115 | 6 | 160 | 6 | 5 | 7,900 | 3583 |
| TF | 118 | 3000 | 85 | 2170 | 167 | 4240 | 38 | 970 | 6 | 9 | 8,000 | 3625 |
| TT | 157 | 4000 | 80 | 2032 | 207 | 5265 | 33 | 850 | 6 | 9 | 8,000 | 3625 |
| | 167 | 4250 | 84 | 2140 | 218 | 5530 | 37 | 940 | 6 | 9 | 7,950 | 3606 |
| | 185 | 4700 | 90 | 2290 | 235 | 5980 | 43 | 1090 | 6 | 9 | 7,950 | 3606 |
| | 203 | 5150 | 95 | 2410 | 253 | 6430 | 49 | 1240 | 6 | 5 | 7,900 | 3583 |
| | 220 | 5600 | 101 | 2565 | 271 | 6880 | 55 | 1390 | 6 | 3 | 7,650 | 3470 |
| | 238 | 6050 | 107 | 2717 | 289 | 7330 | 61 | 1540 | 6 | 3 | 7,400 | 3357 |

Mast Chart CB45X-7

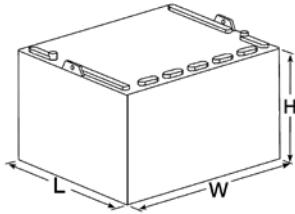
| Mast Type | Maximum Fork Height | | Maximum Lowered Height | | Fully Extended Height With Load Backrest | | Free Lift With Load Backrest | | Rated Load Capacities | | | |
|-----------|---------------------|------|------------------------|------|--|------|------------------------------|------|-----------------------|-----|-----------------|----------|
| | | | | | | | | | Tilt Angle | | Load Capacities | |
| | | | | | | | | | FWD | BWD | 24in LC | 600mm LC |
| | in | mm | in | mm | in | mm | in | mm | deg | deg | lb | kg |
| TL | 118 | 3000 | 86 | 2190 | 168 | 4265 | 6 | 160 | 6 | 9 | 9,000 | 4080 |
| | 130 | 3300 | 92 | 2340 | 180 | 4565 | 6 | 160 | 6 | 9 | 9,000 | 4080 |
| | 144 | 3650 | 99 | 2515 | 194 | 4915 | 6 | 160 | 6 | 9 | 9,000 | 4080 |
| | 157 | 4000 | 111 | 2840 | 207 | 5265 | 6 | 160 | 6 | 9 | 9,000 | 4080 |
| | 167 | 4250 | 116 | 2946 | 217 | 5515 | 6 | 160 | 6 | 9 | 8,950 | 4060 |
| | 191 | 4850 | 134 | 3415 | 241 | 6115 | 6 | 160 | 6 | 5 | 8,900 | 4037 |
| TF | 118 | 3000 | 85 | 2170 | 167 | 4240 | 38 | 970 | 6 | 9 | 9,000 | 4080 |
| TT | 157 | 4000 | 80 | 2032 | 207 | 5265 | 33 | 850 | 6 | 9 | 9,000 | 4080 |
| | 167 | 4250 | 84 | 2140 | 218 | 5530 | 37 | 940 | 6 | 9 | 8,950 | 4060 |
| | 185 | 4700 | 90 | 2290 | 235 | 5980 | 43 | 1090 | 6 | 9 | 8,900 | 4037 |
| | 203 | 5150 | 95 | 2410 | 253 | 6430 | 49 | 1240 | 6 | 5 | 8,850 | 4014 |
| | 220 | 5600 | 101 | 2565 | 271 | 6880 | 55 | 1390 | 6 | 3 | 8,600 | 3901 |
| | 238 | 6050 | 107 | 2717 | 289 | 7330 | 61 | 1540 | 6 | 3 | 8,300 | 3765 |

Mast Chart CB50X-7

| Mast Type | Maximum Fork Height | | Maximum Lowered Height | | Fully Extended Height With Load Backrest | | Free Lift With Load Backrest | | Rated Load Capacities | | | |
|-----------|---------------------|------|------------------------|------|--|------|------------------------------|------|-----------------------|-----|-----------------|----------|
| | | | | | | | | | Tilt Angle | | Load Capacities | |
| | | | | | | | | | FWD | BWD | 24in LC | 600mm LC |
| | in | mm | in | mm | in | mm | in | mm | deg | deg | lb | kg |
| TL | 118 | 3000 | 86 | 2190 | 174 | 4415 | 6 | 160 | 6 | 9 | 10,000 | 4535 |
| | 130 | 3300 | 92 | 2340 | 186 | 4715 | 6 | 160 | 6 | 9 | 10,000 | 4535 |
| | 144 | 3650 | 99 | 2515 | 199 | 5065 | 6 | 160 | 6 | 9 | 10,000 | 4535 |
| | 157 | 4000 | 111 | 2840 | 213 | 5415 | 6 | 160 | 6 | 9 | 10,000 | 4535 |
| | 167 | 4250 | 116 | 2946 | 223 | 5665 | 6 | 160 | 6 | 9 | 9,950 | 4513 |
| | 191 | 4850 | 134 | 3415 | 247 | 6265 | 6 | 160 | 6 | 9 | 9,900 | 4491 |
| TF | 118 | 3000 | 85 | 2170 | 173 | 4390 | 38 | 970 | 6 | 9 | 10,000 | 4535 |
| TT | 157 | 4000 | 80 | 2032 | 213 | 5415 | 33 | 850 | 6 | 9 | 10,000 | 4535 |
| | 167 | 4250 | 84 | 2140 | 224 | 5680 | 37 | 940 | 6 | 9 | 9,950 | 4513 |
| | 185 | 4700 | 90 | 2290 | 241 | 6130 | 43 | 1090 | 6 | 9 | 9,900 | 4491 |
| | 203 | 5150 | 95 | 2410 | 259 | 6580 | 49 | 1240 | 6 | 5 | 9,850 | 4468 |
| | 220 | 5600 | 101 | 2565 | 277 | 7030 | 55 | 1390 | 6 | 3 | 9,500 | 4309 |
| | 238 | 6050 | 107 | 2717 | 294 | 7480 | 61 | 1540 | 6 | 3 | 9,150 | 4150 |

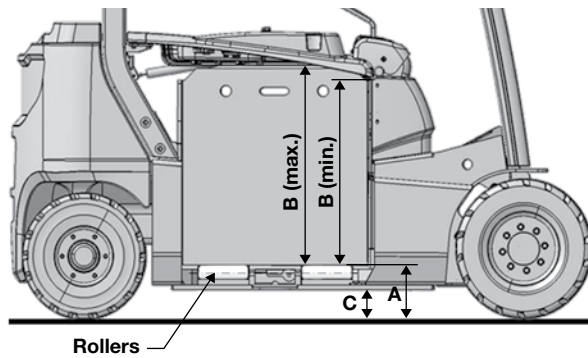
Recommended Battery Size and Battery Minimum Weight

| Voltage | Capacity / Discharge Rate | | (L) Max. Length | | (W) Width Max | | (H) Height Max | | Minimum Weight | |
|---------|---------------------------|-------------------|------------------|-----|---------------|------|----------------|-----|----------------|------|
| | Volts | Amp-hrs / hr-rate | kw-hrs / hr-rate | in | mm | in | mm | in | mm | lb |
| 80 | 930 / 6 | 74.4 / 6 | 39.3 | 999 | 40.47 | 1028 | 30.9 | 787 | 4,762 | 2160 |



- Note:
1. Recommended Cable Length: 1000 mm (39.4 inches)
 2. Recommended Cable Size: OVER 2/0 GA
 3. Battery connector SBE320 Black or SB350 Black.
(Should conform to vehicle connector)

Side Roll In-Out (SRIO)



| Battery Side Roll In-Out (SRIO) | | | | Ground Clearance | |
|---------------------------------|-----|---------------|-----------|------------------|-----|
| A | | B (max / min) | | C | |
| in | mm | in | mm | in | mm |
| 8.38 | 213 | 34 / 31.9 | 864 / 811 | 5.39 | 137 |

Battery Insertion and Removal

1. Standard slotted overhead guard. Lift from top with battery hoist.
2. Optional battery Side Roll In-Out (SRIO). See diagram.

Note: The battery height is limited by the seat deck (battery cover). Therefore, the 'B (min)' dimension is very important.

Standard Features

1. Emergency disconnect switch
2. 80-volt system
3. AC traction and hydraulic systems
4. IP65 rated controllers
5. IP54 rated motors
6. Rugged steer axle with large king pins and tapered roller bearings
7. Regen motor-assist braking
8. Oil-cooled disc brakes
9. Brake oil level indicator
10. Ramp hold
11. Cornering speed control
12. Turtle mode (reduced speed)
13. Operator design features
 - Operator Sensing System (OSS)
 - Park brake alarm
 - Entry grab bar
 - LCD display
 - Seatbelt indicator
 - Adjustable steer column
 - Small steering wheel with spinner knob
 - USB port
 - 12V electrical outlet
 - Cup holder
 - Economy, standard, and high performance modes
 - Rear view mirrors (pair)
 - Low battery warning
14. Cold storage package
15. EE rating
16. Battery hoist chain slot in overhead guard

Optional Equipment

1. Tilt position assist
2. Operator options
 - Directional control on lift lever
 - Fingertip controls with integrated directional control and emergency disconnect switch
 - Panoramic Mirrors
 - Foot operated directional control pedal
3. Lights
 - Combination lights - LED front - worklights and turn signals
 - Rear - stop, tail, backup and turn signals
 - Rear worklight - LED
4. Audible warning devices
 - Travel alarm
 - Smart travel alarm
5. Visual warning devices
 - Flashing light
 - Floor spot light (blue light)
6. Attachments
 - Hang-on sideshifter
 - Integral sideshifting fork positioner
7. Battery Compartment - Side Roll In-Out (SRIO) - no hoist/chain slot in overhead guard
8. Tilt cylinder bellows
9. Quick disconnect hydraulics
10. InfoLink ready

Warning Device Options

Audible or Visual Alerts

Safety considerations and dangers associated with audible travel alarms and lights include:

- Multiple alarms and/or lights can cause confusion.
- Workers ignore the alarms and/or lights after day-in and day-out exposure.
- Operator may transfer the responsibility for “looking out” to the pedestrians.
- Annoys operators and pedestrians.

Other Options Available

Contact factory for additional options.

Dimensions and performance data given may vary due to manufacturing tolerances.

Performance is based on an average size vehicle and is affected by weight, condition of truck, how it is equipped and the conditions of the operating area. Crown products and specifications are subject to change without notice.



Crown Equipment Corporation

New Bremen, Ohio 45869 USA

Tel 419-629-2311

Fax 419-629-3796

crown.com

Because Crown is continually improving its products, specifications are subject to change without notice.

Notice: Not all products and product features are available in all countries in which this literature is published.

Crown, the Crown logo, the color beige, the Momentum symbol, and InfoLink are trademarks of Crown Equipment Corporation in the United States and other countries.

Copyright 2022-2023 Crown Equipment Corporation
SF20699 Rev. 04-23
Printed in U.S.A.