

CROWN

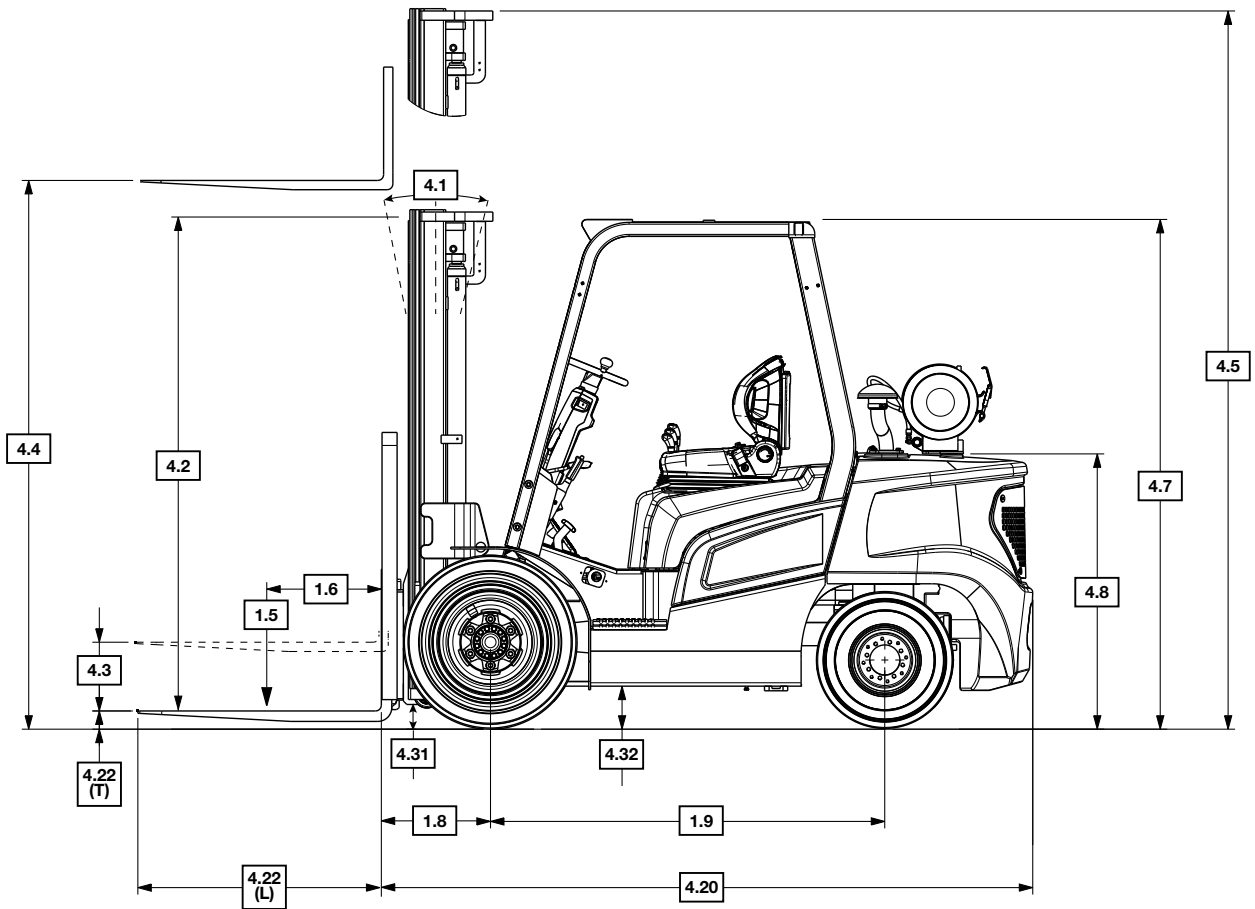
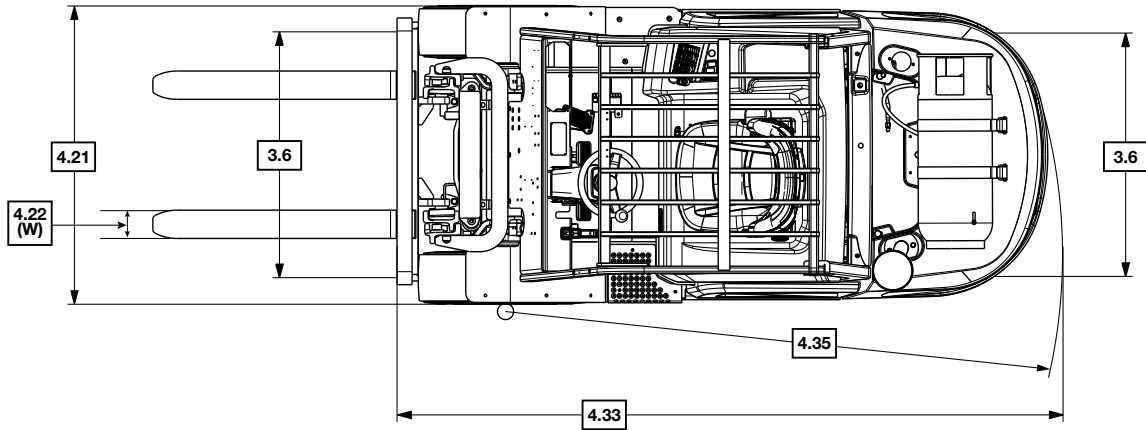
C-G^x

2000–3500 kg Capacity

IC Pneumatic Tyre

Specifications





			CG20NXP	CG25NXP	CG30NXP		
Characteristics	1.2	Model					
	1.3	Power	Electric, Gas, LPG, Diesel	LPG			
	1.4	Operator Type		Sit-down Rider Counterbalance			
	1.5	Load Capacity	kg	2000	2500	3000	
	1.6	Load Centre	Fork Face to Load CG	mm	500		
	1.8	Load Distance	Centre of Wheel to Fork Face	mm	462		
	1.9	Wheelbase		mm	1700		
Weight	2.1	Truck Weight	Less Battery	kg	3450	3755	4350
	2.2	Axle Load, Loaded	Front/Rear	kg	4600/850	5395/860	6450/900
	2.3	Axle Load, Empty	Front/Rear	kg	1520/1930	1760/1995	1750/2600
Tyres	3.1	Tyre Type	Pneumatic, Super elastic, Cushion	Pneumatic			
	3.2	Tyre Size, Front	OD x Width x Rim Dia.	28x9-15-14PR			
	3.3	Tyre Size, Rear	OD x Width x Rim Dia.	6.50-10-10PR			
	3.5	Wheels (x = driven)	Number Front/Rear	2x/2			
	3.6	Track Width	Front/Rear	mm	1060/980		
Basic Dimensions	4.1	Mast Tilt	Forwards/Backwards	deg	See mast chart		
	4.2	Mast Collapsed Height		mm			
	4.3	Mast Free Lift Height		mm			
	4.4	Mast Max. Lift Height		mm			
	4.5	Mast Extended Lift Height		mm			
	4.7	Overhead Guard Height		mm	2160		
	4.8	Seat Height		mm	1185		
	4.20	Head length	Length to Fork Face	mm	2560	2610	2665
	4.21	Overall Width		mm	1290		
	4.22	Forks	L x W x T	mm	45x100x1050		45x122x1050
	4.23	Fork Carriage	ISO 2328	class	II	III	
	4.24	Fork Carriage Width		mm	1042		
	4.31	Ground Clearance	Loaded, Lowest Point	mm	132		
	4.32	Ground Clearance	Loaded, Centre of Wheelbase	mm	135		
	4.33	Working Aisle Width	pallets 1000 x 1200 Traverse	mm	3970	4020	4110
pallets 800 x 1200 Length			mm	4230	4270	4310	
4.35	Turning Radius		mm	2300	2350	2430	
Performance Data	5.1	Travel Speed	Empty	km/h	20		
			Loaded	km/h	18.7		
	5.2	Lift Speed	Empty	m/s	520		
			Loaded	m/s	490		
	5.3	Lower Speed	Empty	m/s	550		
			Loaded	m/s	510		
	5.6	Max. Drawbar Pull	Empty	N	18000	18700	18600
			Loaded	N	19500	19300	19100
	5.8	Max. Gradeability	Empty	%	62	55.3	47
			Loaded	%	37	31.5	26.5
6.1	Brakes	Service Brake		Hydraulic			
		Parking Brake		Hand/Mechanical			
Engine	7.1	Manufacturer/Model		Hyundai/HMC2.4L LP			
	7.2	Engine Power	DIN ISO1585	kW	45.4		
	7.3	Rated Speed		min-1	2600		
	7.3.1	Torque at 1/min		n_m/rpm	178.9/2000		
	7.4	Number of Cylinders/Displacement		-/cc	4/4/2359		
	7.1	Battery	Voltage/Ampere hour	V/Ah	12/45		
Misc.	10.1	Operating Pressure		Bar	160		
	10.2	Oil Volume for Attachments		L/min	65		
	10.7	Sound level	At Drivers Ear per EN 12053	dB(A)	82		

Note: Values listed in the specification sheet have been rounded. Performance may vary due to operation conditions and/or forklift configurations.

Products and specifications are subject to change without prior notice.

C-G^x Series

Specifications

			CG33NXP		CG35NXP	
Characteristics	1.2	Model				
	1.3	Power	Electric, Gas, LPG, Diesel	LPG		
	1.4	Operator Type		Sit-down Rider Counterbalance		
	1.5	Load Capacity	kg	3300	3500	
	1.6	Load Centre	Fork Face to Load CG	mm	500	
	1.8	Load Distance	Centre of Wheel to Fork Face	mm	467	
	1.9	Wheelbase		mm	1700	1750
Weight	2.1	Truck Weight	Less Battery	kg	4450	4580
	2.2	Axle Load, Loaded	Front/Rear	kg	6800/950	7180/900
	2.3	Axle Load, Empty	Front/Rear	kg	1700/2750	1665/2915
Tyres	3.1	Tyre Type	Pneumatic, Super elastic, Cushion	Pneumatic		
	3.2	Tyre Size, Front	OD x Width x Rim Dia.	28x9-15-14PR		
	3.3	Tyre Size, Rear	OD x Width x Rim Dia.	6.50-10-10PR		
	3.5	Wheels (x = driven)	Number Front/Rear	2x/2		
	3.6	Track Width, Front	Front/Rear	mm	1060/980	
	Basic Dimensions	4.1	Mast Tilt	Forwards/Backwards	deg	See mast chart
4.2		Mast Collapsed Height		mm		
4.3		Mast Free Lift Height		mm		
4.4		Mast Max. Lift Height		mm		
4.5		Mast Extended Lift Height		mm		
4.7		Overhead Guard Height		mm	2160	
4.8		Seat Height		mm	1185	
4.20		Head length	Length to Fork Face	mm	2730	2750
4.21		Overall Width		mm	1290	
4.22		Forks	L x W x T	mm	50 x 122 x 1050	
4.23		Fork Carriage	ISO 2328	class	III	
4.24		Fork Carriage Width		mm	1042	
4.31		Ground Clearance	Loaded, Lowest Point	mm	132	
4.32		Ground Clearance	Loaded, Centre of Wheelbase	mm	135	
4.33		Working Aisle Width	pallets 1000 x 1200 Traverse	mm	4155	4180
	pallets 800 x 1200 Length		mm	4350	4400	
			mm	2450	2500	
Performance Data	5.1	Travel Speed	Empty	km/h	20	
			Loaded	km/h	18.7	
	5.2	Lift Speed	Empty	m/s	410	
			Loaded	m/s	390	
	5.3	Lower Speed	Empty	m/s	450	
			Loaded	m/s	410	
	5.6	Max. Drawbar Pull	Empty	N	20916	21420
			Loaded	N	21491	21986
	5.8	Max. Gradeability	Empty	%	52.6	50.6
			Loaded	%	28.5	27.2
6.1	Brakes	Service Brake		Hydraulic		
		Parking Brake		Hand/Mechanical		
Engine	7.1	Manufacturer/Model		Hyundai/HMC2.4L LP		
	7.2	Engine Power	DIN ISO1585	kW	45.4	
	7.3	Rated Speed		min-1	2600	
	7.3.1	Torque at 1/min		n_m/rpm	178/2000	
	7.4	Number of Cylinders/Displacement		-/cc	4/4/2359	
7.1	Battery	Voltage/Ampere hour	V/Ah	12/45		
Misc.	10.1	Operating Pressure		Bar	160	
	10.2	Oil Volume for Attachments		L/min	65	
	10.7	Sound level	At Drivers Ear per EN 12053	dB(A)	82	

Note: Values listed in the specification sheet have been rounded. Performance may vary due to operation conditions and/or forklift configurations.

Products and specifications are subject to change without prior notice.

Mast Chart CG20NXP

Mast Type	Maximum Fork Height		Mast Lowered Height		Fully Extended Height		Free Lift		Rated Load Capacities							
									Tilt Angle				Load Capacities			
	in		mm		in		mm		Single Pneu.		Double Pneu.		Single Pneu.		Double Pneu.	
									FWD	BWD	FWD	BWD	LC 24in	LC 500mm	LC 24in	LC 500mm
deg	deg	deg	deg	lb	kg	lb	kg									
STD	118	3000	81	2045	167	4247	6	150	6	10	6	10	4000	2000	4000	2000
	130	3300	86	2195	179	4547	6	150	6	10	6	10	4000	2000	4000	2000
	138	3500	90	2295	187	4747	6	150	6	10	6	10	4000	2000	4000	2000
	157	4000	102	2595	211	5347	6	150	6	6	6	6	4000	2000	4000	2000
	177	4500	112	2845	230	5847	6	150	6	6	6	6	4000	2000	4000	2000
	197	5000	122	3095	250	6347	6	150	6	6	6	6	4000	2000	4000	2000
FF	126	3210	85	2155	176	4474	37	950	6	10	6	10	4000	2000	4000	2000
FFT	168	4270	79	2005	219	5554	31	800	6	6	6	6	4000	2000	4000	2000
	185	4710	84	2145	235	5974	37	940	6	6	6	6	3950	1950	4000	2000
	218	5540	98	2495	268	6799	51	1290	6	6	6	6	3650	1800	3800	1870
	237	6010	104	2645	285	7249	57	1440	6	6	6	6	2650	1300	3650	1800

Note: Mast Specifications and Rated Capacities are based on a standard chassis with super-elastic tyre and without sideshifter.

Mast Chart CG25NXP

Mast Type	Maximum Fork Height		Mast Lowered Height		Fully Extended Height		Free Lift		Rated Load Capacities							
									Tilt Angle				Load Capacities			
	in		mm		in		mm		Single Pneu.		Double Pneu.		Single Pneu.		Double Pneu.	
									FWD	BWD	FWD	BWD	LC 24in	LC 500mm	LC 24in	LC 500mm
deg	deg	deg	deg	lb	kg	lb	kg									
STD	118	3000	81	2045	167	4247	6	150	6	10	6	10	5000	2500	5000	2500
	130	3300	86	2195	179	4547	6	150	6	10	6	10	5000	2500	5000	2500
	138	3500	90	2295	187	4747	6	150	6	10	6	10	5000	2500	5000	2500
	157	4000	102	2595	211	5347	6	150	6	6	6	6	5000	2500	5000	2500
	177	4500	112	2845	230	5847	6	150	6	6	6	6	5000	2500	5000	2500
	197	5000	122	3095	250	6347	6	150	6	6	6	6	5000	2500	5000	2500
FF	126	3210	85	2155	176	4474	37	950	6	10	6	10	5000	2500	5000	2500
FFT	168	4270	79	2005	219	5554	31	800	6	6	6	6	4850	2400	5000	2450
	185	4710	84	2145	235	5974	37	940	6	6	6	6	4625	2300	4800	2350
	218	5540	98	2495	268	6799	51	1290	6	4	6	4	3875	1900	4325	2200
	237	6010	104	2645	285	7249	57	1440	6	4	6	4	2875	1400	4250	2100

Note: Mast Specifications and Rated Capacities are based on a standard chassis with super-elastic tyre and without sideshifter.

Mast Chart CG30NXP

Mast Type	Maximum Fork Height		Mast Lowered Height		Fully Extended Height		Free Lift		Rated Load Capacities							
									Tilt Angle				Load Capacities			
	in		mm		in		mm		Single Pneu.		Double Pneu.		Single Pneu.		Double Pneu.	
									FWD	BWD	FWD	BWD	LC 24in	LC 500mm	LC 24in	LC 500mm
deg	deg	deg	deg	lb	kg	lb	kg									
STD	118	3000	81	2045	167	4247	6	150	6	10	6	10	6000	3000	6000	3000
	130	3300	86	2195	179	4547	6	150	6	10	6	10	6000	3000	6000	3000
	138	3500	90	2295	187	4747	6	150	6	10	6	10	6000	3000	6000	3000
	157	4000	102	2595	211	5347	6	150	6	6	6	6	6000	3000	6000	3000
	177	4500	112	2845	230	5847	6	150	6	4	6	4	6000	2950	6000	3000
	197	5000	122	3095	250	6347	6	150	6	4	6	4	5675	2800	5725	2850
FF	126	3210	85	2155	176	4474	37	950	6	10	6	10	6000	3000	6000	3000
FFT	168	4270	79	2005	219	5554	31	800	6	6	6	6	5720	2850	5875	2900
	185	4710	84	2145	235	5974	37	940	6	4	6	4	5420	2700	5675	2800
	218	5540	98	2495	268	6799	51	1290	6	4	6	4	4000	2000	5300	2600
	237	6010	104	2645	285	7249	57	1440	6	4	6	4	3075	1500	5000	2450

Note: Mast Specifications and Rated Capacities are based on a standard chassis with super-elastic tyre and without sideshifter.

Mast Chart CG33NXP

Mast Type	Maximum Fork Height		Mast Lowered Height		Fully Extended Height		Free Lift		Rated Load Capacities								
					With Load Backrest		With Load Backrest		Tilt Angle				Load Capacities				
									Single Pneu.		Double Pneu.		Single Pneu.		Double Pneu.		
	in	mm	in	mm	in	mm	in	mm	FWD	BWD	FWD	BWD	LC 24in	LC 500mm	LC 24in	LC 500mm	
										deg	deg	deg	deg	lb	kg	lb	kg
STD	118	3000	81	2045	167	4252	6	150	6	10	6	10	6600	3300	6600	3300	
	130	3300	86	2195	179	4552	6	150	6	10	6	10	6600	3300	6600	3300	
	138	3500	90	2295	187	4752	6	150	6	10	6	10	6600	3300	6600	3300	
	157	4000	102	2595	211	5352	6	150	6	6	6	6	6600	3300	6600	3300	
	177	4500	112	2845	230	5852	6	150	6	4	6	4	6375	3220	6375	3220	
	197	5000	122	3095	250	6352	6	150	6	4	6	4	5825	2900	6125	3050	
FF	126	3210	85	2155	176	4479	37	950	6	10	6	10	6600	3300	6600	3300	
FFT	168	4270	79	2005	219	5559	31	800	6	6	6	6	6125	3050	6125	3050	
	185	4710	84	2145	235	5979	37	940	6	4	6	4	5825	2900	5950	2950	
	218	5540	98	2495	268	6804	51	1290	6	4	6	4	4250	2100	5575	2750	
	237	6010	104	2645	286	7254	57	1440	6	4	6	4	3250	1600	5325	2600	

Note: Mast Specifications and Rated Capacities are based on a standard chassis with super-elastic tyre and without sidershifter.

Mast Chart CG35NXP

Mast Type	Maximum Fork Height		Mast Lowered Height		Fully Extended Height		Free Lift		Rated Load Capacities								
					With Load Backrest		With Load Backrest		Tilt Angle				Load Capacities				
									Single Pneu.		Double Pneu.		Single Pneu.		Double Pneu.		
	in	mm	in	mm	in	mm	in	mm	FWD	BWD	FWD	BWD	LC 24in	LC 500mm	LC 24in	LC 500mm	
										deg	deg	deg	deg	lb	kg	lb	kg
STD	118	3000	81	2045	167	4252	6	150	6	10	6	10	7000	3500	7000	3500	
	130	3300	86	2195	179	4552	6	150	6	10	6	10	7000	3500	7000	3500	
	138	3500	90	2295	187	4752	6	150	6	10	6	10	7000	3500	7000	3500	
	157	4000	102	2595	211	5352	6	150	6	6	6	6	7000	3500	7000	3500	
	177	4500	112	2845	230	5852	6	150	6	4	6	4	6850	3360	6850	3350	
	197	5000	122	3095	250	6352	6	150	6	4	6	4	6000	3000	6500	3200	
FF	126	3210	85	2155	176	4479	37	950	6	10	6	10	7000	3500	7000	3500	
FFT	168	4270	79	2005	219	5559	31	800	6	6	6	6	6475	3230	6575	3280	
	185	4710	84	2145	235	5979	37	940	6	4	6	4	6175	3100	6325	3150	
	218	5540	98	2495	268	6804	51	1290	6	4	6	4	4550	2250	5825	2900	
	237	6010	104	2645	286	7254	57	1440	6	4	6	4	3350	1700	5575	2750	

Note: Mast Specifications and Rated Capacities are based on a standard chassis with super-elastic tyre and without sidershifter.

Standard Features

1. Hyundai, HMC 2.4 Litre, 4 cylinder LPG engine
2. Single-speed Powershift
3. Power Shoe Brakes
4. Heavy Duty Radiator
5. Dual Element Air Filter
6. Toolless Side Panel
7. LED Combination Lights
8. Anti-slip Step Plate
9. Panoramic Mirror
10. Adjustable Steer Column
11. Spinner Knob
12. Operator Sensing System (OSS)

Optional Equipment

1. Dual Fuel (Gasoline/LPG)
2. Autoshift Controller
3. Air Pre-cleaner
4. Low Fuel Indicator
 - Warning Light
 - Buzzer
5. Travel Speed Control
6. Rear Handle with Horn
7. Quick-disconnect Hose Couplings
8. Modular Cabin Styles
9. Full Cabin Options
 - Sound Suppression
 - Air Conditioning
 - Heat
 - Wiper and Washer
10. Fan
11. USB Charging Port
12. Cup Holder
13. Visual Warning Devices
 - Flashing light
 - Floor spotlight (blue light)
14. Attachments
 - Hang-on sideshifter
 - Integral sideshifter
 - Integral sideshifting fork positioner
15. Audible Warning Devices
 - Travel alarm

Warning Device Options

Audible or Visual Alerts

Safety considerations and dangers associated with audible travel alarms and lights include:

- Multiple alarms and/or lights can cause confusion.
- Workers ignore the alarms and/or lights after day-in, day-out exposure.
- Operator may transfer the responsibility for "looking out" to the pedestrians.
- Annoys operators and pedestrians.

Other Options Available

Contact factory for additional options.

Dimensions and performance data given may vary due to manufacturing tolerances. Performance is based on an average-size vehicle and is affected by weight, condition of vehicle, how it is equipped and the conditions of the operating area. Products and specifications are subject to change without notice.



[crown.com](https://www.crown.com)

Because Crown is continually improving its products, specifications are subject to change without notice.

Notice: Not all products and product features are available in all countries in which this literature is published.

Crown, the Crown logo, the colour beige and the Momentum symbol are trademarks of Crown Equipment Corporation in the United States and other countries.

© Copyright 2021–2023 Crown Equipment Corporation
SF20366-006 Rev. 07–23
Printed in USA