

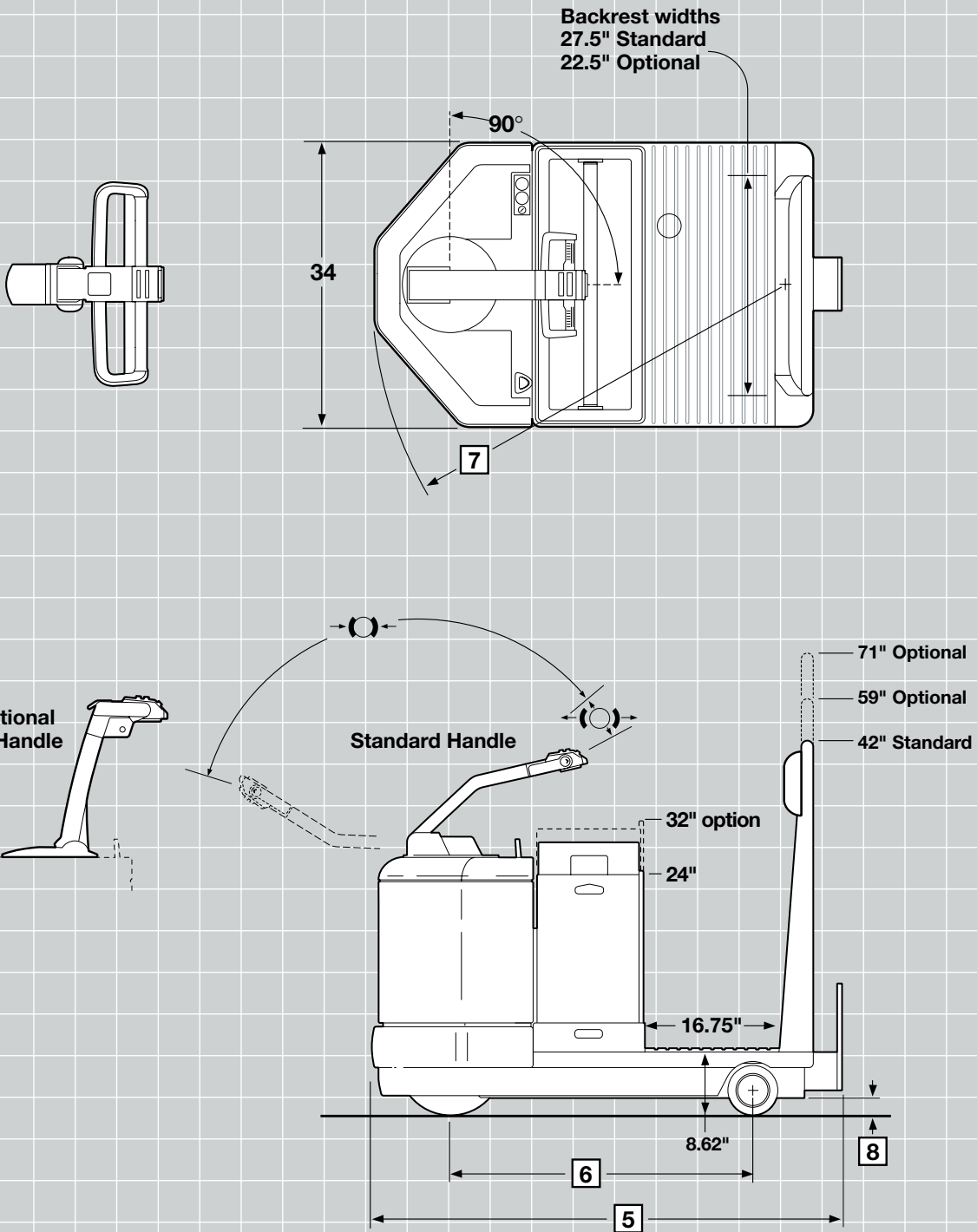
CROWN



TR 3600 Series

Profile Sheet

TR 3600 Series



TR 3600 Series

| | | | | | |
|--------------|----------------|------------------------|--------------|-----------------------------|-----------------------|
| General Info | 1 | Manufacturer | | Crown Equipment Corporation | |
| | 2 | Model | | TR 3600 | |
| | 3 | Drawbar Pull | Normal | lb | 200* |
| | | | Maximum | lb | 635 |
| | 4 | Rolling Load Capacity | | lb | 10,000 |
| 5 | Overall Length | | in | 60.3 | |
| Dimensions | 6 | Wheelbase | | in | 38 |
| | 7 | Turning Radius | | in | 48.3 |
| | 8 | Grade Clearance | | % | 27 |
| Battery | 10 | Truck Weight | Less battery | lb | 1280 |
| | 11 | Min/Max Weight | | lb | 975/1500 |
| | | Max Amp | | amp | 750 |
| | | Max Battery Size WxLxH | | in | 13.19 x 31.12 x 31.62 |

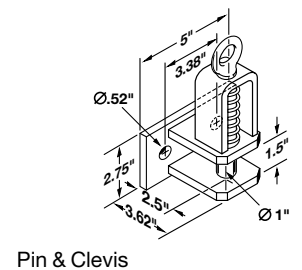
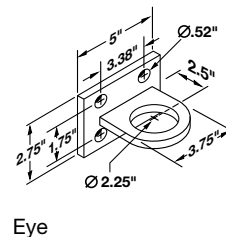
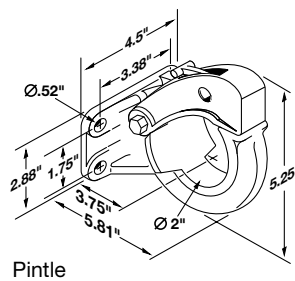
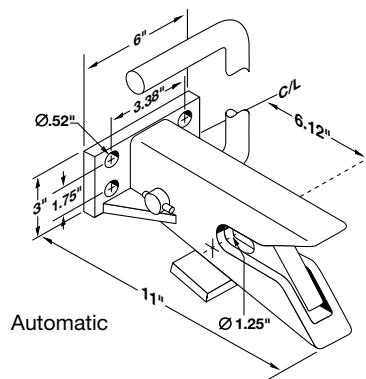
* 12" hitch height.

**Power unit first travel only.

Adjustable Hitch Plates

Hitch plate allows all types of hitches to be adjusted in 1.75" increments.

| Hitch | Hitch Heights | |
|--------------|---------------|---------|
| | Minimum | Maximum |
| Automatic | 8" | 15" |
| Pintle | 8.62" | 15.62" |
| Eye | 8.75" | 15.75" |
| Pin & Clevis | 7.88" | 16.62" |





Crown Equipment Corporation
New Bremen, Ohio 45869 USA
Tel 419-629-2311
Fax 419-629-3796
crown.com

You can count on Crown to build lift trucks designed for safe operation, but that's only part of the safety equation. Crown encourages safe operating practices through ongoing operator training, safety-focused supervision, maintenance and a safe working environment. Go to crown.com and view our safety section to learn more.

Because Crown is continually improving its products, specifications are subject to change without notice.

Crown, the Crown logo, the color beige and the Momentum symbol are trademarks of Crown Equipment Corporation.

Copyright 2006-2010 Crown Equipment Corporation
SF18497 4/10
Printed in U.S.A.